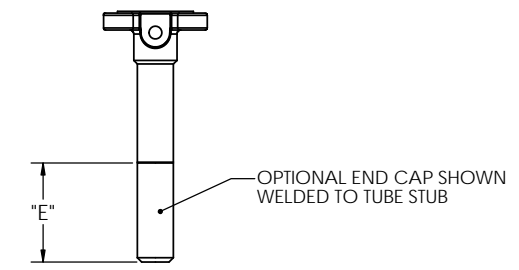
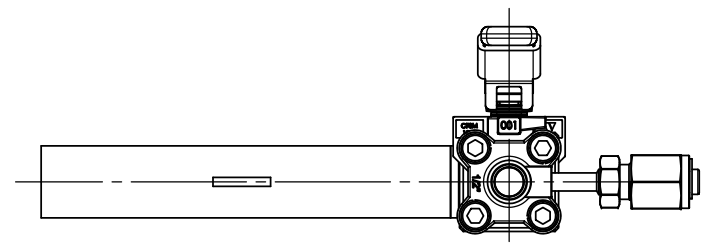
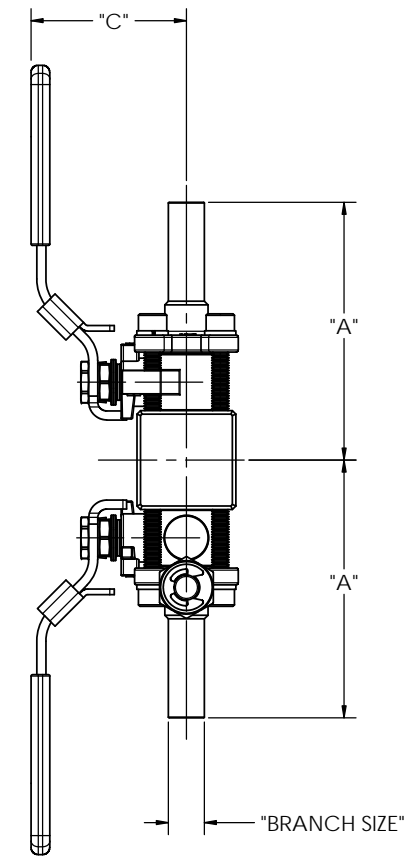
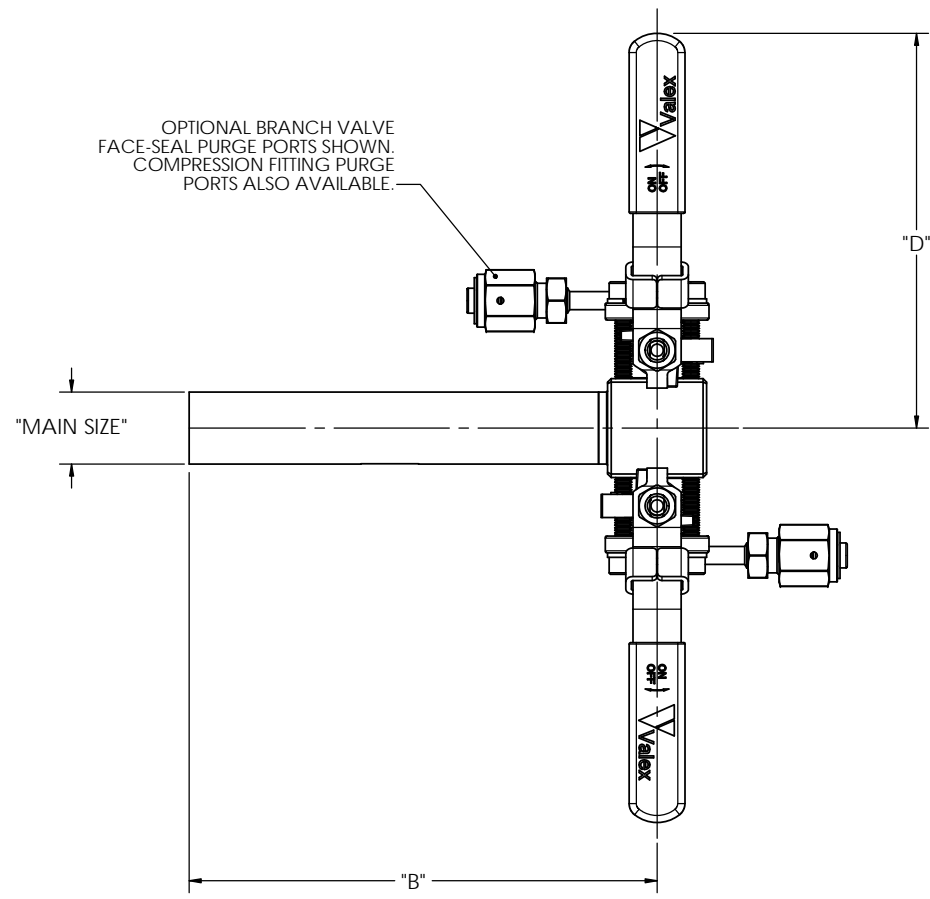



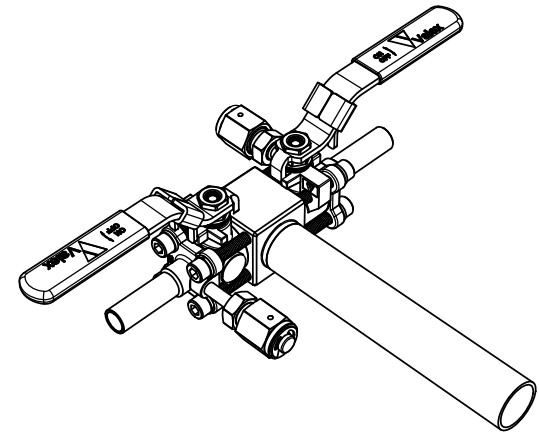
REVISION RECORD			
REV.	DATE	DESCRIPTION	DCN
B	10-20-2009	REVISE DIMENSIONS	1211
C	05-06-2010	REVISE DIMENSIONS	1299
D	03-28-2012	CHANGES PER DCN 1567	1567



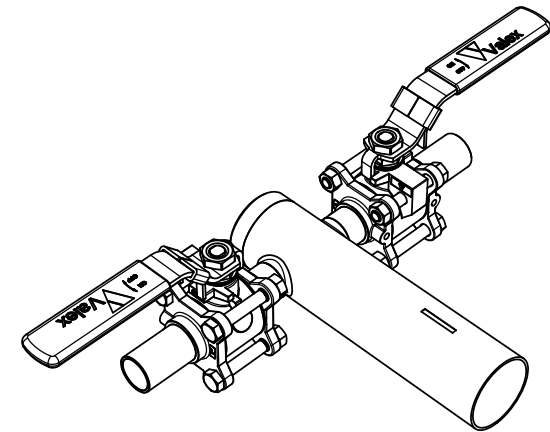
1. DIMENSIONS ARE APPROXIMATE AND MAY VARY FROM VALVE TO VALVE
REFERENCE VALEX SPECIFICATION SP-9217 FOR OVERALL LENGTH TOLERANCES.
2. DIMENSIONS ARE SUBJECT TO CHANGE AS PRODUCT IMPROVEMENTS MAY ALTER VALVE DESIGN.

NOTES: UNLESS OTHERWISE SPECIFIED

CAD GENERATED DRAWING. DO NOT MANUALLY UPDATE.		 6080 LELAND ST VENTURA, CA 93003 (805) 658-0944 www.valex.com	
APPROVALS	DATE	BALL VALVE, DHT CROSS, TUBE ENDS	
DRAWN	C. MAD 11-01-2009		
CHECKED	M. OXFORD 11-09-2009		
ENG.	C. MAD 11-07-2009		
D.A.	R. MALDONADO 11-08-2009		
MFG.	T. KELLERBERGER 11-07-2009	SIZE: C DWG. NO: PDC-DHT-MM SCALE: 1:1.33333	REV. D
			SHEET 1 OF 2



**1" X 1/2" DHT SHOWN
(MACHINED BLOCK ASSY).**



**2" X 1" DHT SHOWN
(PULLED CROSS ASSY).**

DIMENSIONS IN INCHES						
SIZE		"A"	"B"	"C"	"D"	"E"
MAIN	BRANCH					
1/2"	1/4"	3.33	5.50	2.16	5.48	1.13
	3/8"	3.33	5.50	2.16	5.48	1.13
	1/2"	3.58	5.50	2.16	5.48	1.38
3/4"	1/4"	3.33	6.50	2.16	5.48	1.13
	3/8"	3.33	6.50	2.16	5.48	1.13
	1/2"	3.58	6.50	2.16	5.48	1.38
	3/4"	3.93	6.50	2.32	6.42	1.75
1"	1/4"	3.33	6.50	2.16	5.48	1.13
	3/8"	3.33	6.50	2.16	5.48	1.13
	1/2"	3.58	6.50	2.16	5.48	1.38
	3/4"	3.93	6.50	2.32	6.42	1.75
	1"	6.00	6.50	2.92	8.90	1.75
1-1/2"	1/4"	4.82	6.50	2.16	6.97	1.13
	3/8"	4.82	6.50	2.16	6.97	1.13
	1/2"	5.07	6.50	2.16	6.97	1.38
	3/4"	5.22	6.50	2.32	7.70	1.75
	1"	5.34	6.50	2.92	8.24	1.75
2"	1/4"	5.10	6.50	2.16	7.25	1.13
	3/8"	5.10	6.50	2.16	7.25	1.13
	1/2"	5.35	6.50	2.16	7.25	1.38
	3/4"	5.48	6.50	2.32	7.99	1.75
	1"	5.63	6.50	2.92	8.53	1.75
	1-1/2"	6.88	6.50	3.76	11.10	2.00
3"	1/4"	5.57	8.50	2.16	7.72	1.13
	3/8"	5.57	8.50	2.16	7.72	1.13
	1/2"	5.82	8.50	2.16	7.72	1.38
	3/4"	6.00	8.50	2.32	8.49	1.75
	1"	6.13	8.50	2.92	9.03	1.75
	1-1/2"	7.40	8.50	3.76	11.62	2.00
	2"	8.15	8.50	4.12	11.87	2.00
4"	1/4"	6.12	8.50	2.16	8.27	1.13
	3/8"	6.12	8.50	2.16	8.27	1.13
	1/2"	6.37	8.50	2.16	8.27	1.38
	3/4"	6.50	8.50	2.32	8.99	1.75
	1"	6.63	8.50	2.92	9.53	1.75
	1-1/2"	7.97	8.50	3.76	12.19	2.00
2"	8.70	8.50	4.12	12.44	2.00	