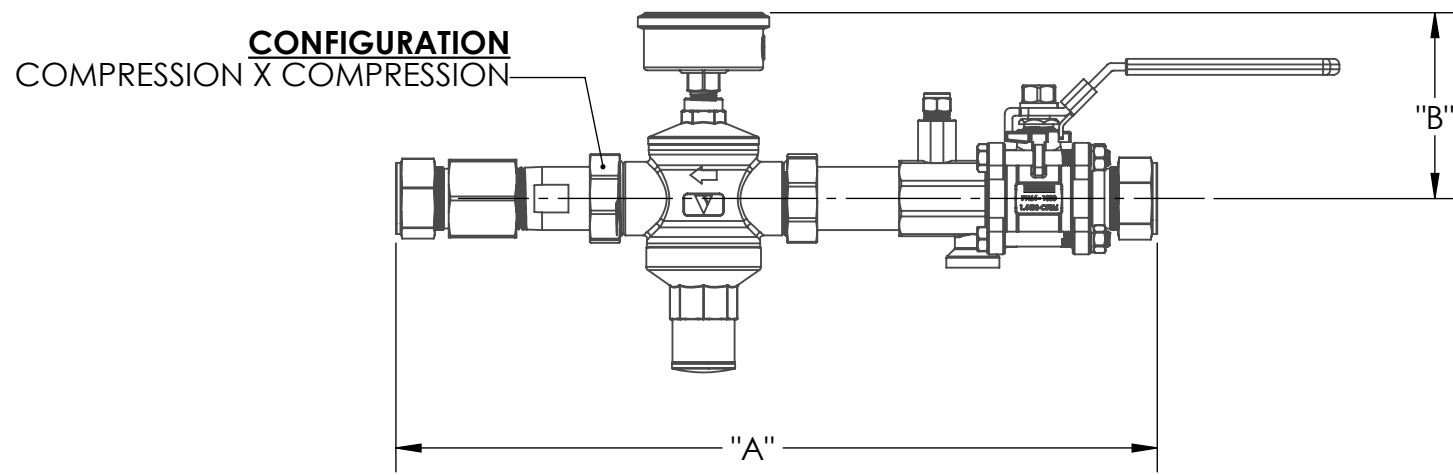
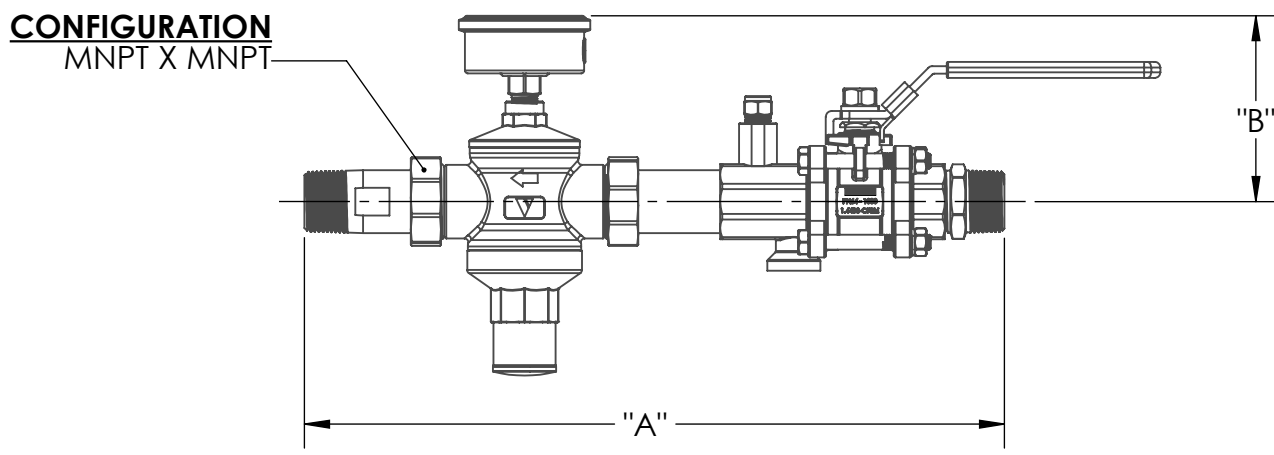
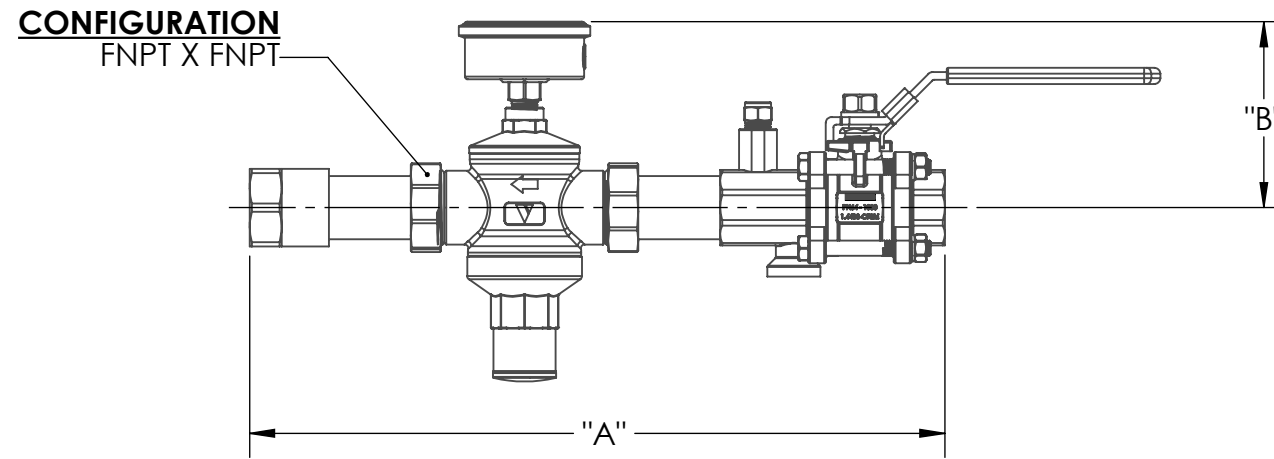


REVISION RECORD			
DATE	REV.	DESCRIPTION	DCN
05-31-2022	E	CHANGES PER DCN 5632	5632
12-20-2023	F	CHANGES PER DCN 6055	6055



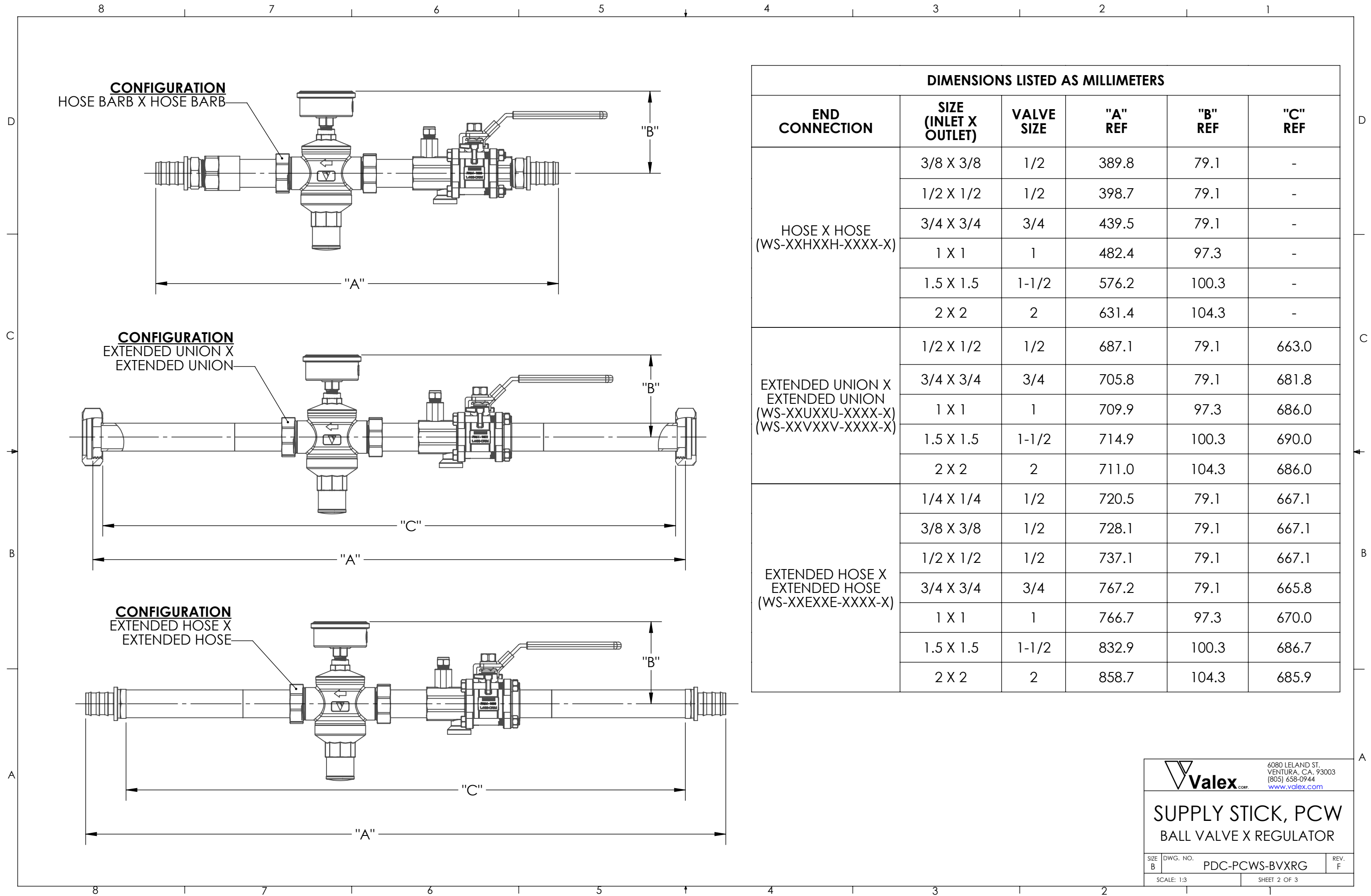
DIMENSIONS LISTED AS MILLIMETERS

END CONNECTION	SIZE (INLET X OUTLET)	VALVE SIZE	"A" REF	"B" REF
FNPT X FNPT (WS-XXFXXF-XXXX-X)	1/2 X 1/2	1/2	312.9	79.1
	3/4 X 3/4	3/4	325.3	79.1
	1 X 1	1	367.9	97.3
	1.5 X 1.5	1-1/2	400.0	100.3
	2 X 2	2	430.7	104.3
MNPT X MNPT (WS-XXMXXM-XXXX-X)	1/2 X 1/2	1/2	316.2	79.1
	3/4 X 3/4	3/4	327.5	79.1
	1 X 1	1	370.5	97.3
	1.5 X 1.5	1-1/2	402.0	100.3
	2 X 2	2	432.2	104.3
COMPRESSION X COMPRESSION (WS-XXCXXC-XXXX-X)	1/2 X 1/2	1/2	331.0	79.1
	3/4 X 3/4	3/4	346.5	79.1
	1 X 1	1	402.8	97.3
	1.5 X 1.5	1-1/2	505.4	100.3
	2 X 2	2	574.2	104.3

1. DIMENSIONS ARE APPROXIMATE AND MAY VARY ON EACH PCW ASSEMBLY.
2. REFERENCE VALEX SPECIFICATION SP-9238 FOR ADDITIONAL DETAILS.
3. DIMENSIONS ARE SUBJECT TO CHANGE AS PRODUCT IMPROVEMENTS MAY ALTER ASSEMBLY DESIGN.

NOTES: UNLESS OTHERWISE SPECIFIED

CAD GENERATED DRAWING. DO NOT MANUALLY UPDATE		 6080 LELAND ST. VENTURA, CA. 93003 (805) 658-0944 www.valex.com
APPROVALS	DATE	
DRAWN C. MAO	04-16-2019	SUPPLY STICK, PCW BALL VALVE X REGULATOR
CHECKED T. NEVINS	04-17-2019	
ENG. C. MAO	04-17-2019	
Q.A. J. KIM	04-18-2019	
MFG. T. KELLENBERGER	04-18-2019	
SIZE B	DWG. NO. PDC-PCWS-BVXRG	REV. F
SCALE: 1:3		SHEET 1 OF 3



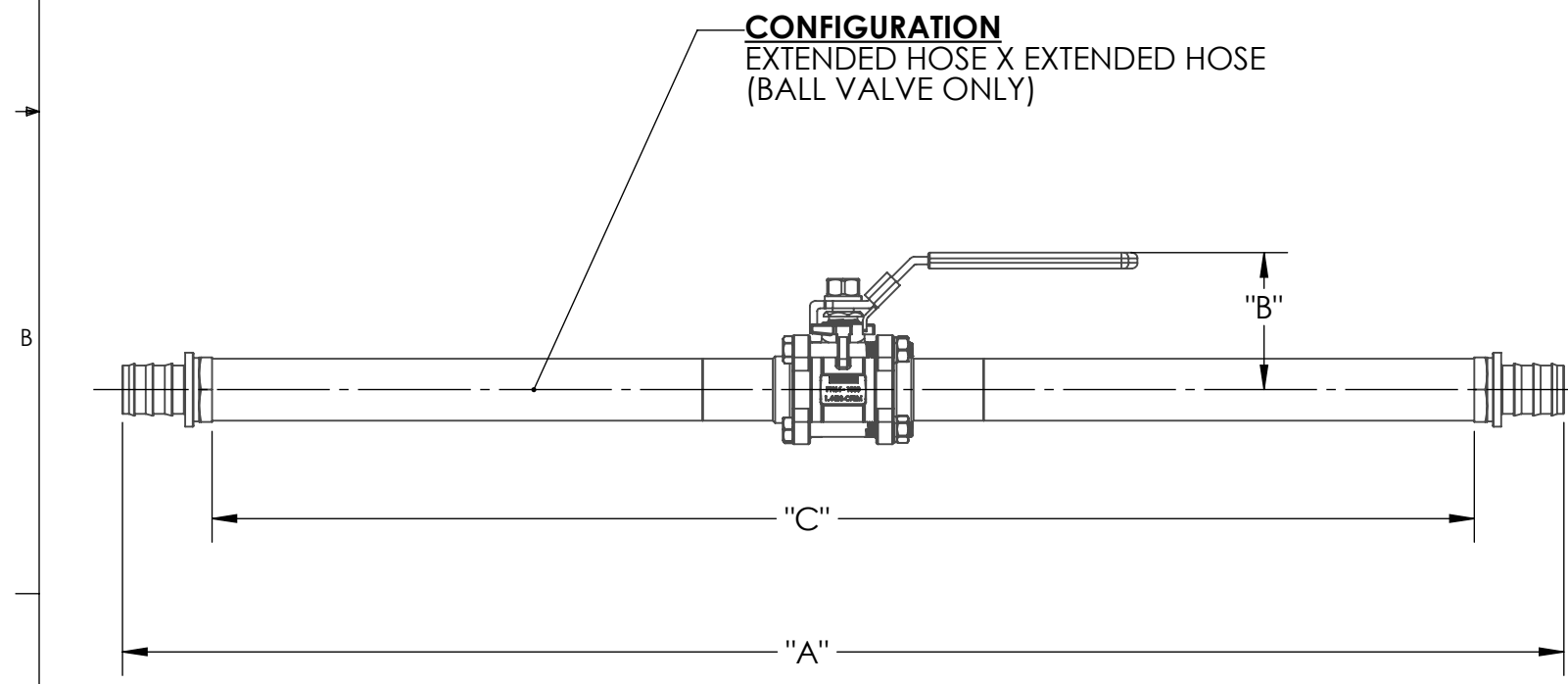
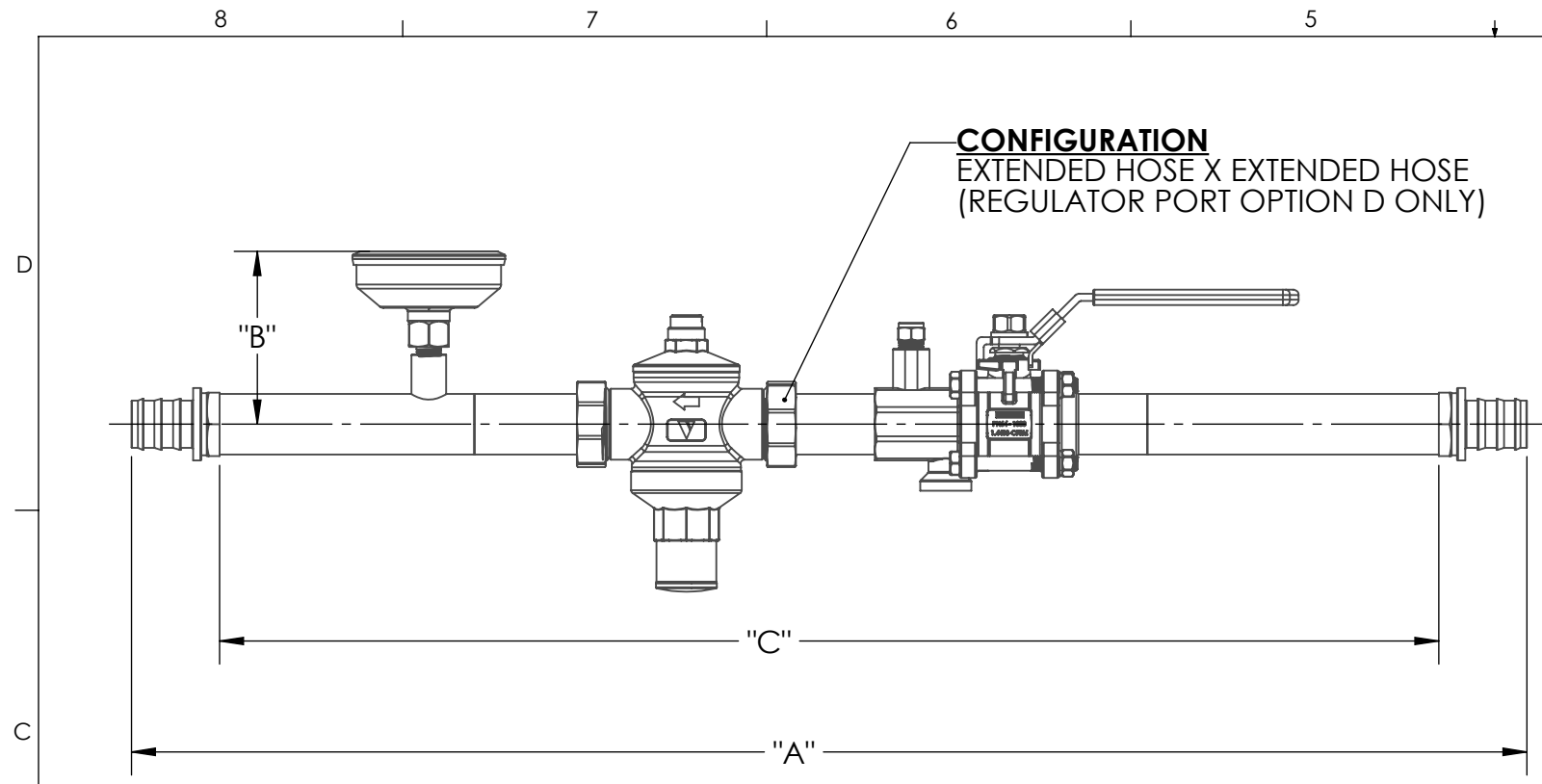
DIMENSIONS LISTED AS MILLIMETERS					
END CONNECTION	SIZE (INLET X OUTLET)	VALVE SIZE	"A" REF	"B" REF	"C" REF
HOSE X HOSE (WS-XXHXXH-XXXX-X)	3/8 X 3/8	1/2	389.8	79.1	-
	1/2 X 1/2	1/2	398.7	79.1	-
	3/4 X 3/4	3/4	439.5	79.1	-
	1 X 1	1	482.4	97.3	-
	1.5 X 1.5	1-1/2	576.2	100.3	-
	2 X 2	2	631.4	104.3	-
EXTENDED UNION X EXTENDED UNION (WS-XXUXXU-XXXX-X) (WS-XXVXXV-XXXX-X)	1/2 X 1/2	1/2	687.1	79.1	663.0
	3/4 X 3/4	3/4	705.8	79.1	681.8
	1 X 1	1	709.9	97.3	686.0
	1.5 X 1.5	1-1/2	714.9	100.3	690.0
	2 X 2	2	711.0	104.3	686.0
EXTENDED HOSE X EXTENDED HOSE (WS-XXEXXE-XXXX-X)	1/4 X 1/4	1/2	720.5	79.1	667.1
	3/8 X 3/8	1/2	728.1	79.1	667.1
	1/2 X 1/2	1/2	737.1	79.1	667.1
	3/4 X 3/4	3/4	767.2	79.1	665.8
	1 X 1	1	766.7	97.3	670.0
	1.5 X 1.5	1-1/2	832.9	100.3	686.7
	2 X 2	2	858.7	104.3	685.9

Valex corp.
6080 LELAND ST.
VENTURA, CA. 93003
(805) 658-0944
www.valex.com

**SUPPLY STICK, PCW
BALL VALVE X REGULATOR**

SIZE B	DWG. NO. PDC-PCWS-BVXRG	REV. F
-----------	----------------------------	-----------

SCALE: 1:3 SHEET 2 OF 3



DIMENSIONS LISTED AS MILLIMETERS

END CONNECTION	SIZE (INLET X OUTLET)	VALVE SIZE	"A" REF	"B" REF	"C" REF
EXTENDED HOSE X EXTENDED HOSE (WS-XXEXXE-XXXX-X)	1/4 X 1/4	1/2	720.5	90.3	667.1
	3/8 X 3/8	1/2	728.1	90.3	667.1
	1/2 X 1/2	1/2	737.1	90.3	667.1
	3/4 X 3/4	3/4	767.2	90.3	665.8
	1 X 1	1	766.7	94.8	670.0
	1.5 X 1.5	1-1/2	832.9	101.2	686.7
	2 X 2	2	858.7	103.2	685.9
EXTENDED HOSE X EXTENDED HOSE (WS-XXEXXE-XXXX-X)	1/4 X 1/4	1/2	738.8	58.4	685.4
	3/8 X 3/8	1/2	746.4	58.4	685.4
	1/2 X 1/2	1/2	755.4	58.4	685.4
	3/4 X 3/4	3/4	776.4	64.5	675.0
	1 X 1	1	778.8	74.0	682.0
	1.5 X 1.5	1-1/2	840.0	90.8	693.8
	2 X 2	2	864.0	99.0	691.2

Valex corp.
 6080 LELAND ST.
 VENTURA, CA. 93003
 (805) 658-0944
www.valex.com

**SUPPLY STICK, PCW
 BALL VALVE X REGULATOR**

SIZE B	DWG. NO. PDC-PCWS-BVXRG	REV. F
-----------	----------------------------	-----------