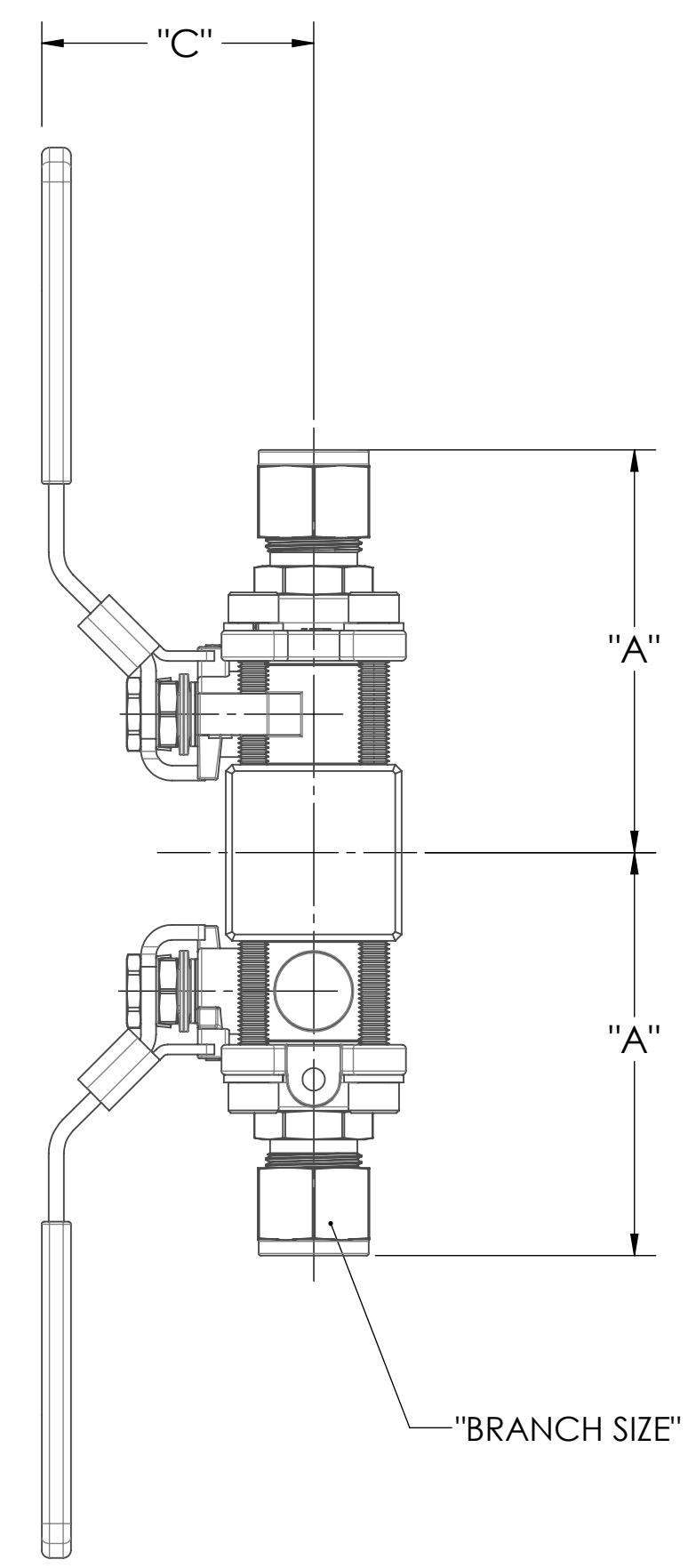
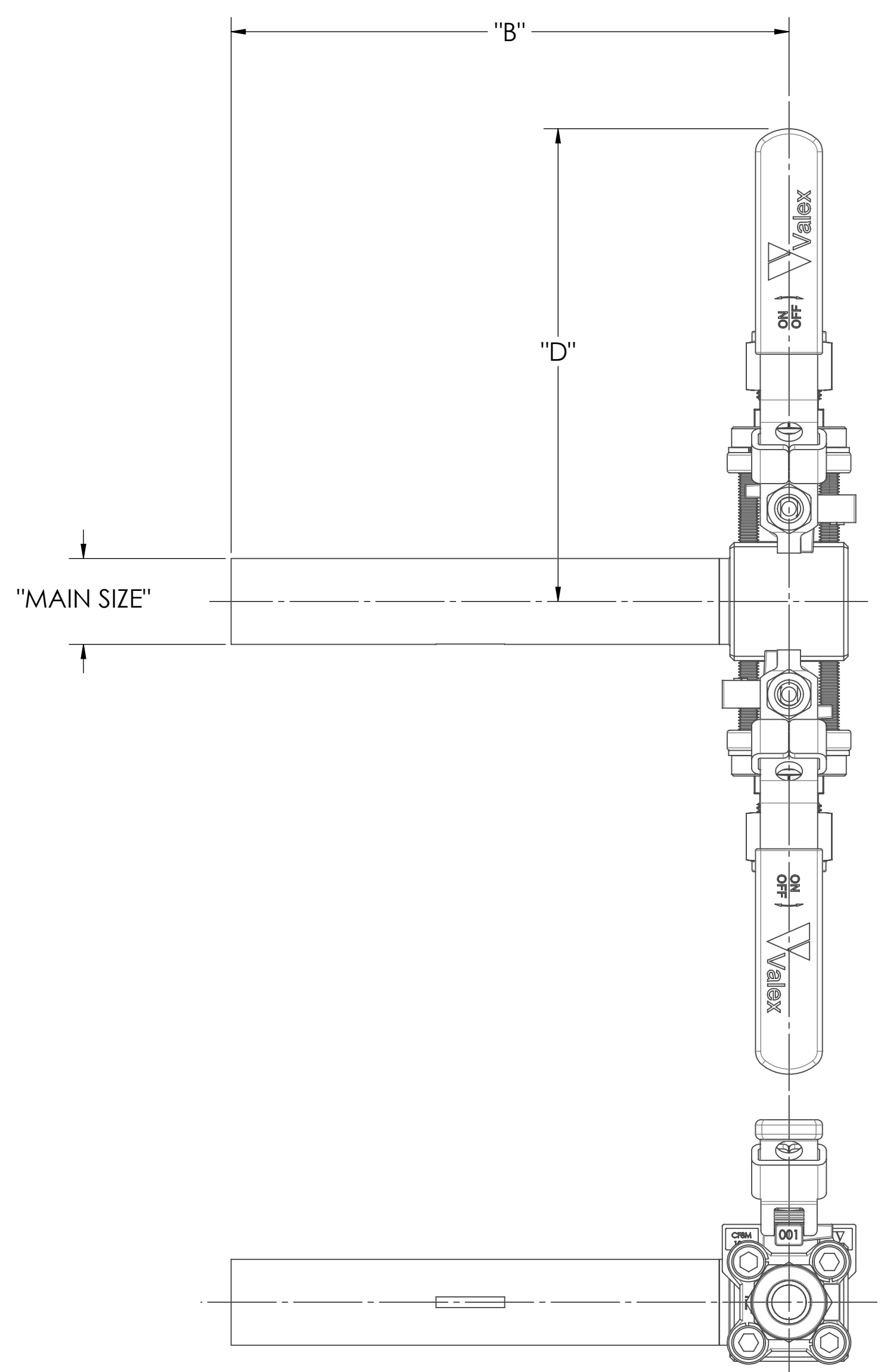



REVISIONS			
REV.	DATE	DESCRIPTION	DCN
B	10-20-2009	REVISE DIMENSIONS	1211
C	08-06-2012	ADD 6" RUN CONFIGURATIONS	1664
D	08-26-2013	CHANGES PER DCN 2037	2037
E	09-29-2022	CHANGES PER DCN 5762	5762

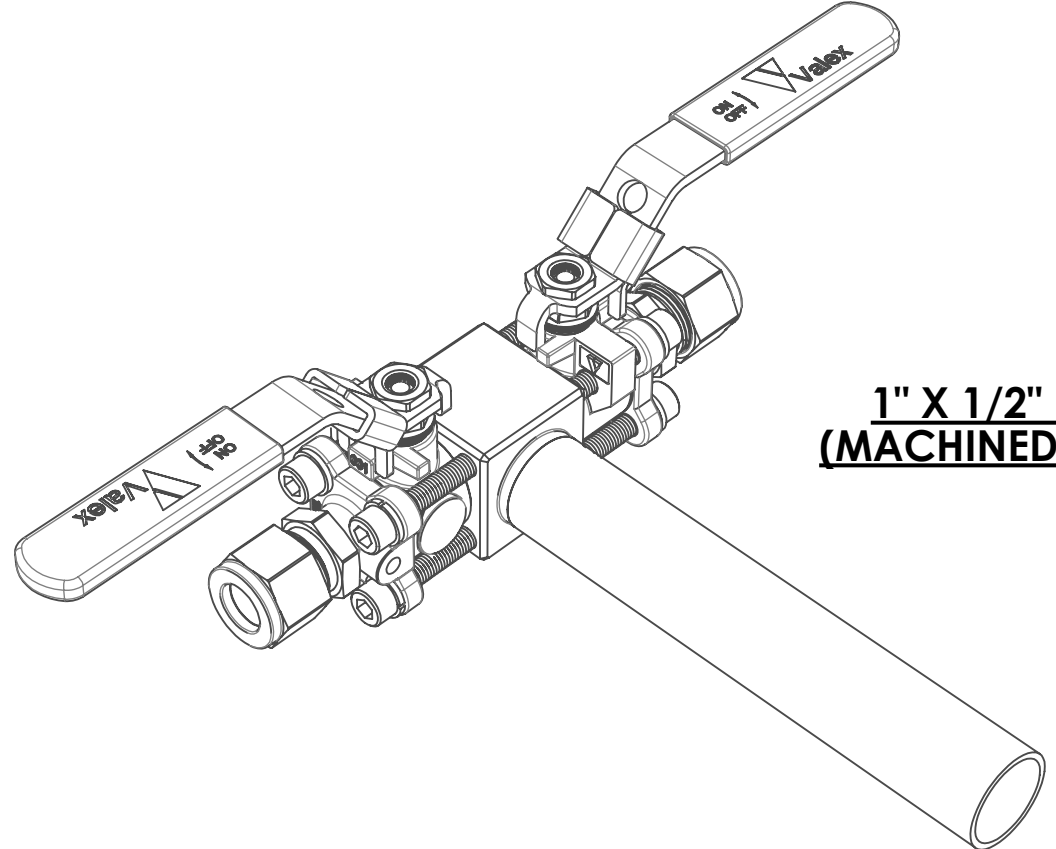


1. DIMENSIONS ARE APPROXIMATE AND MAY VARY FROM VALVE TO VALVE  
REFERENCE VALEX SPECIFICATION SP-9217 FOR OVERALL LENGTH TOLERANCES.
2. DIMENSIONS ARE SUBJECT TO CHANGE AS PRODUCT IMPROVEMENTS MAY ALTER VALVE DESIGN.
3. OVERALL LENGTH DIMENSION IS CALCULATED ASSUMING COMPRESSION NUT IS FINGER TIGHT.

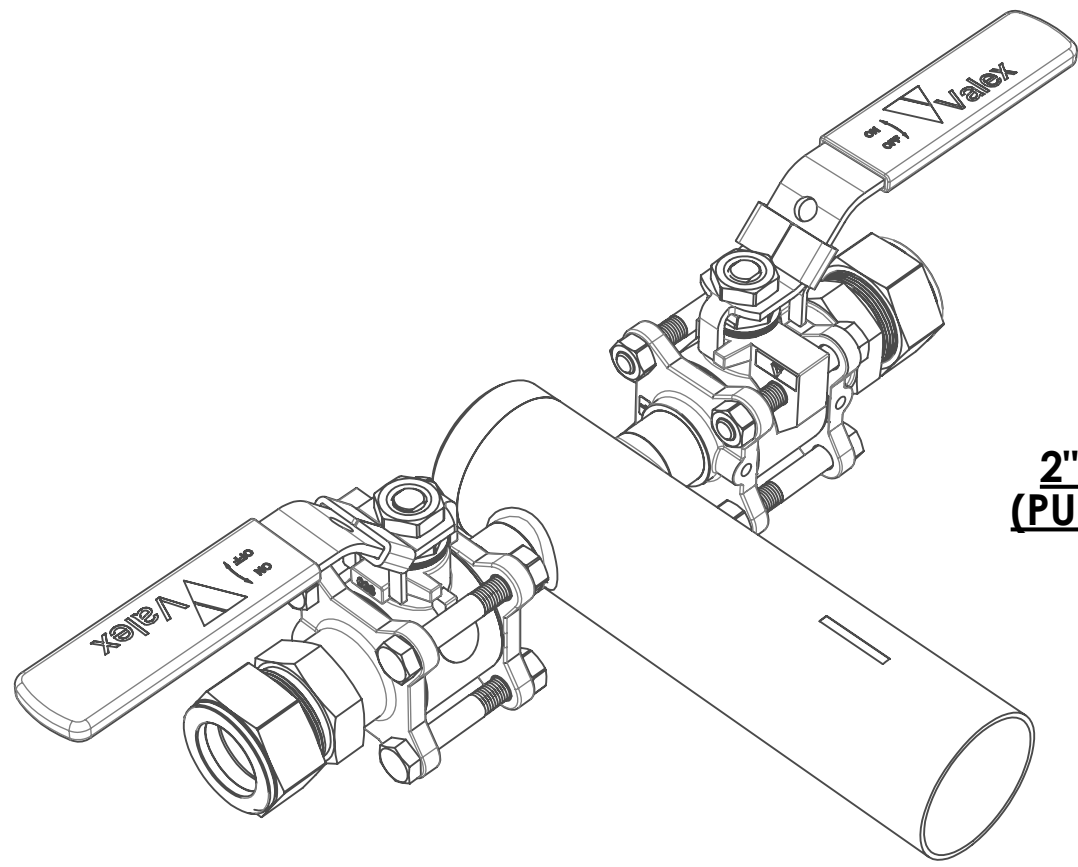
NOTES: UNLESS OTHERWISE SPECIFIED

CAD GENERATED DRAWING. DO NOT MANUALLY UPDATE		 6080 LELAND ST. VENTURA, CA 93003 (805) 658-0944 <a href="http://www.valex.com">www.valex.com</a>	
APPROVALS	DATE	<b>BALL VALVE, DHT</b> <b>CROSS, COMPRESSION ENDS</b>	
DRAWN	C. MAO 11-01-2005		
CHECKED	M. OXFORD 11-09-2005		
ENG.	C. MAO 11-07-2005		
Q.A.	R. MULDONG 11-08-2005		
MFG.	T. KELLENBERGER 11-07-2005	SIZE C DWG. NO. PDC-DHT-CC SCALE: 1:1.33333	REV. E SHEET 1 OF 2

SIZE		DIMENSIONS IN INCHES			
MAIN	BRANCH	"A"	"B"	"C"	"D"
1/2"	1/4"	2.89	5.50	2.16	5.48
	3/8"	3.01	5.50	2.16	5.48
	1/2"	3.15	5.50	2.16	5.48
3/4"	1/4"	2.89	6.50	2.16	5.48
	3/8"	3.01	6.50	2.16	5.48
	1/2"	3.15	6.50	2.16	5.48
	3/4"	3.70	6.50	2.32	6.42
1"	1/4"	2.89	6.50	2.16	5.48
	3/8"	3.01	6.50	2.16	5.48
	1/2"	3.15	6.50	2.16	5.48
	3/4"	3.70	6.50	2.32	6.42
	1"	5.33	6.50	2.92	7.96
1-1/2"	1/4"	4.38	6.50	2.16	6.97
	3/8"	4.50	6.50	2.16	6.97
	1/2"	4.63	6.50	2.16	6.97
	3/4"	4.98	6.50	2.32	7.70
	1"	5.61	6.50	2.92	8.24
	1-1/2"	7.39	6.50	3.76	10.81
2"	1/4"	4.66	6.50	2.16	7.25
	3/8"	4.78	6.50	2.16	7.25
	1/2"	4.91	6.50	2.16	7.25
	3/4"	5.24	6.50	2.32	7.99
	1"	5.90	6.50	2.92	8.53
	1-1/2"	7.67	6.50	3.76	11.10
3"	1/4"	5.13	8.50	2.16	7.72
	3/8"	5.25	8.50	2.16	7.72
	1/2"	5.38	8.50	2.16	7.72
	3/4"	5.76	8.50	2.32	8.49
	1"	6.40	8.50	2.92	9.03
	1-1/2"	8.20	8.50	3.76	11.62
4"	1/4"	5.69	8.50	2.16	8.27
	3/8"	5.80	8.50	2.16	8.27
	1/2"	5.94	8.50	2.16	8.27
	3/4"	6.26	8.50	2.32	8.99
	1"	6.90	8.50	2.92	9.53
	1-1/2"	8.77	8.50	3.76	12.19
6"	1/4"	6.48	8.50	2.16	9.04
	3/8"	6.55	8.50	2.16	9.04
	1/2"	6.70	8.50	2.16	9.04
	3/4"	7.34	8.50	2.32	10.06
	1"	7.97	8.50	2.92	10.60
	1-1/2"	9.80	8.50	3.76	13.22



**1" X 1/2" DHT SHOWN  
(MACHINED BLOCK ASSY).**



**2" X 1" DHT SHOWN  
(PULLED CROSS ASSY).**