



Mini
Ball Valve



Product Description

- Size Range: 1/4" – 3/4"
- Pressure Rating: 1000 PSIG (69 BARG)
- Temperature Range: -20°F to 450°F (-29°C to 232°C)

Features & Benefits

- 2-Piece Design
- Panel mount capability
- 100% Helium leak tested to 1×10^{-7} atm•cc/sec
- Cleaned for Oxygen Service (CFOS)
- High cycle life performance
- Full port I.D. for minimum flow turbulence
- Inspected to meet Valex quality standards, and comes with a Certificate of Compliance to Valex specification SP-9229
- Nitrogen-purged and double polyethylene bagged
- ISO Class 5 cleanroom assembled, tested & packaged

Flow Coefficient

Valve Size	Flow Orifice	Cv ¹
1/4"	0.180"	2.9
3/8"	0.305"	9.0
1/2"	0.402"	16.3
3/4"	0.620"	41.2

1. Flow coefficient data calculated using methods described in Crane Technical Paper TP-410.

Materials of Construction

Item	Qty	Part	Material
A	1	HANDLE	GLASS FILLED NYLON
B	1	BODY NUT	SS
C	1	STEM NUT	316 SS
D	2	STEM WASHER	SS
E	3	PACKING	PTFE
F	1	STEM	316 SS
G	1	BODY	ASTM A351-CF8M
H	2	SEAT	TFM™ 1600 PTFE*
I	1	BALL	CF8M / 316 SS
J	1	GASKET	PTFE
K	1	ENDCAP	316 SS

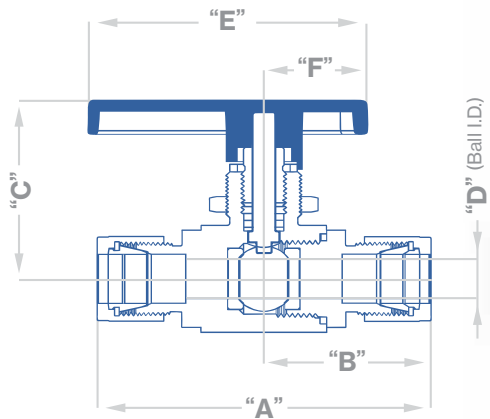
SS = Stainless Steel

* Dyneon and TFM are trademarks of Dyneon

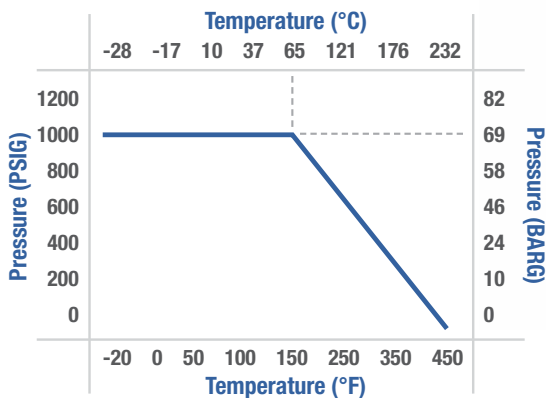
Dimensions Listed as Millimeters*

Size	"A"	"B"	"C"	"D"	"E"	"F"
1/4"	67.0	33.5	42.0	5.0	49.4	18.5
3/8"	77.2	38.6	45.0	7.8	59.5	24.5
1/2"	87.4	43.7	47.2	10.3	74.3	27.9
3/4"	98.0	49.0	48.2	12.0	74.3	27.9

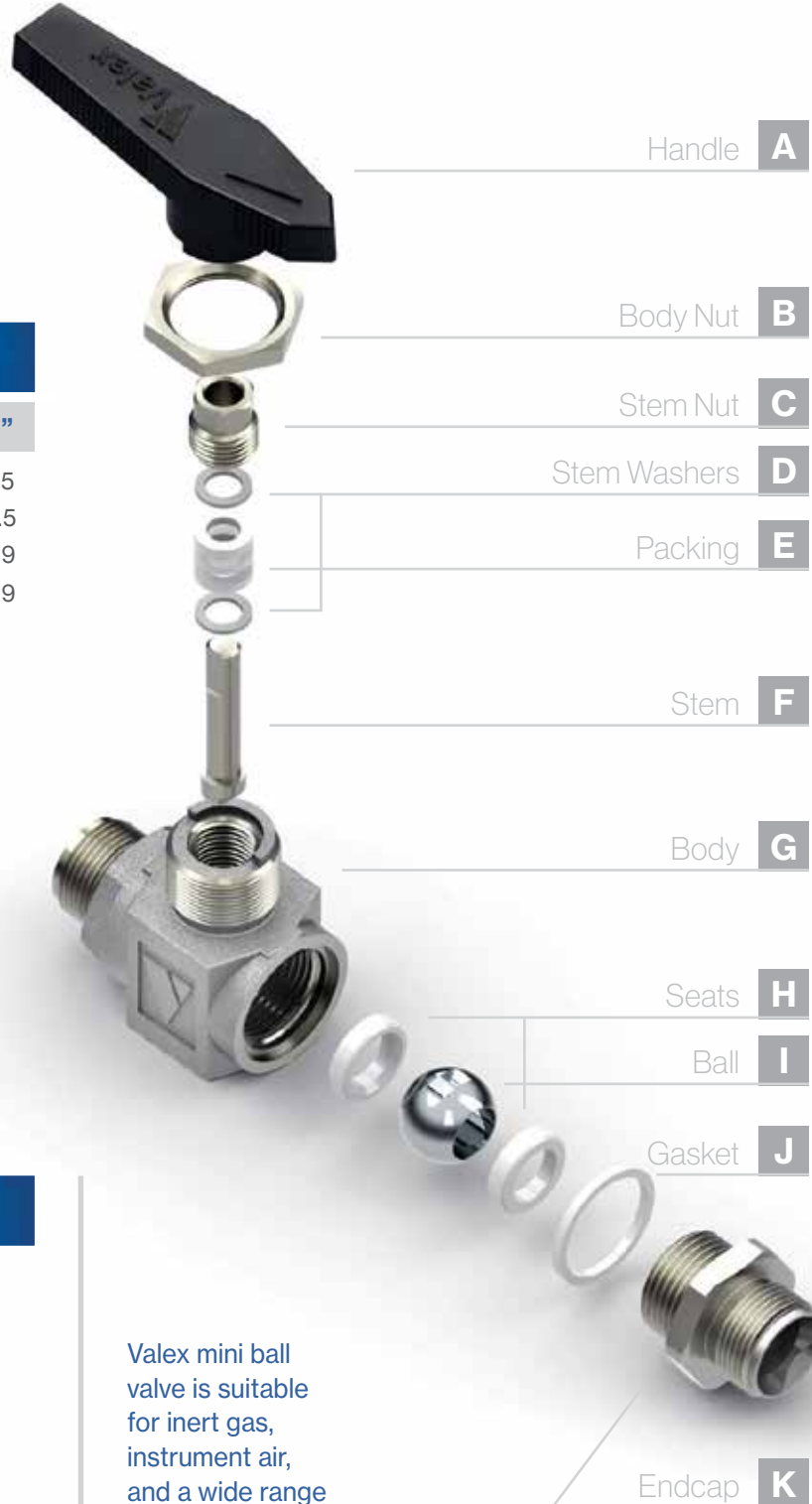
* Dimensions are applicable to compression fitting inlet and outlet (CC) configuration. Dimensions are approximate, may vary from valve to valve, and assumes compression nuts are finger tight.



Pressure Temperature Rating



Mini Ball Valve



Valex mini ball valve is suitable for inert gas, instrument air, and a wide range of industrial high purity applications.



Ordering Information

M - S T R 0 8 C C X X X X

M

Valve Series

M = Mini Ball Valve

X | X

Branch Valve Size

XX = No Branch Valve(s)

S | T | R

Assembly Pattern

STR = Straight

X | X

Connection On Branch Valve(s)

XX = No Branch Valve(s)

0 | 8

Main Line Size

04 = 1/4"

06 = 3/8"

08 = 1/2"

12 = 3/4"

C | C

Main Line End Connection

CC = Compression Fitting Inlet & Outlet

CP = Compression Fitting Inlet, Compression Fitting Outlet w/ Plug



www.valex.com

**Valex Corporate
Offices & Manufacturing**
6080 Leland Street
Ventura, CA 93003
Phone: 805-658-0944

32 Hansan-gil
Cheongbuk-eup
Pyeongtaek-si, Gyeonggi-do
Republic of Korea
Phone: 82-31-683-0119

No. 559 Yuanzhong Road
Nanhui Industrial Zone
Pudong New District
Shanghai, China 201399
Phone: 86-21-58183189

Valex



Neither ozone-depleting nor mercury-bearing compounds are used during Valex processing or testing of any product.