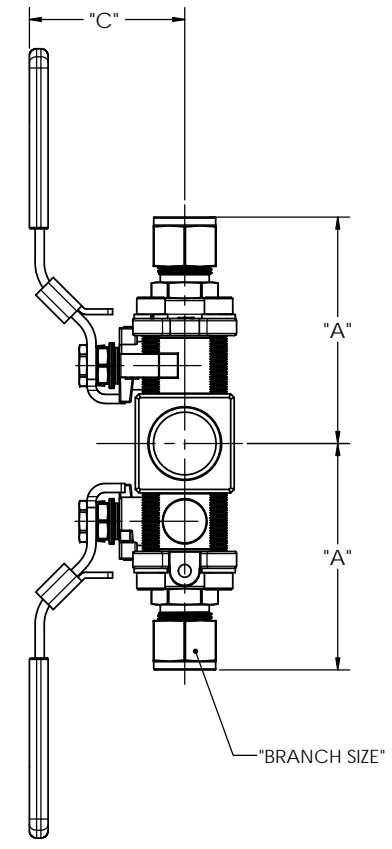
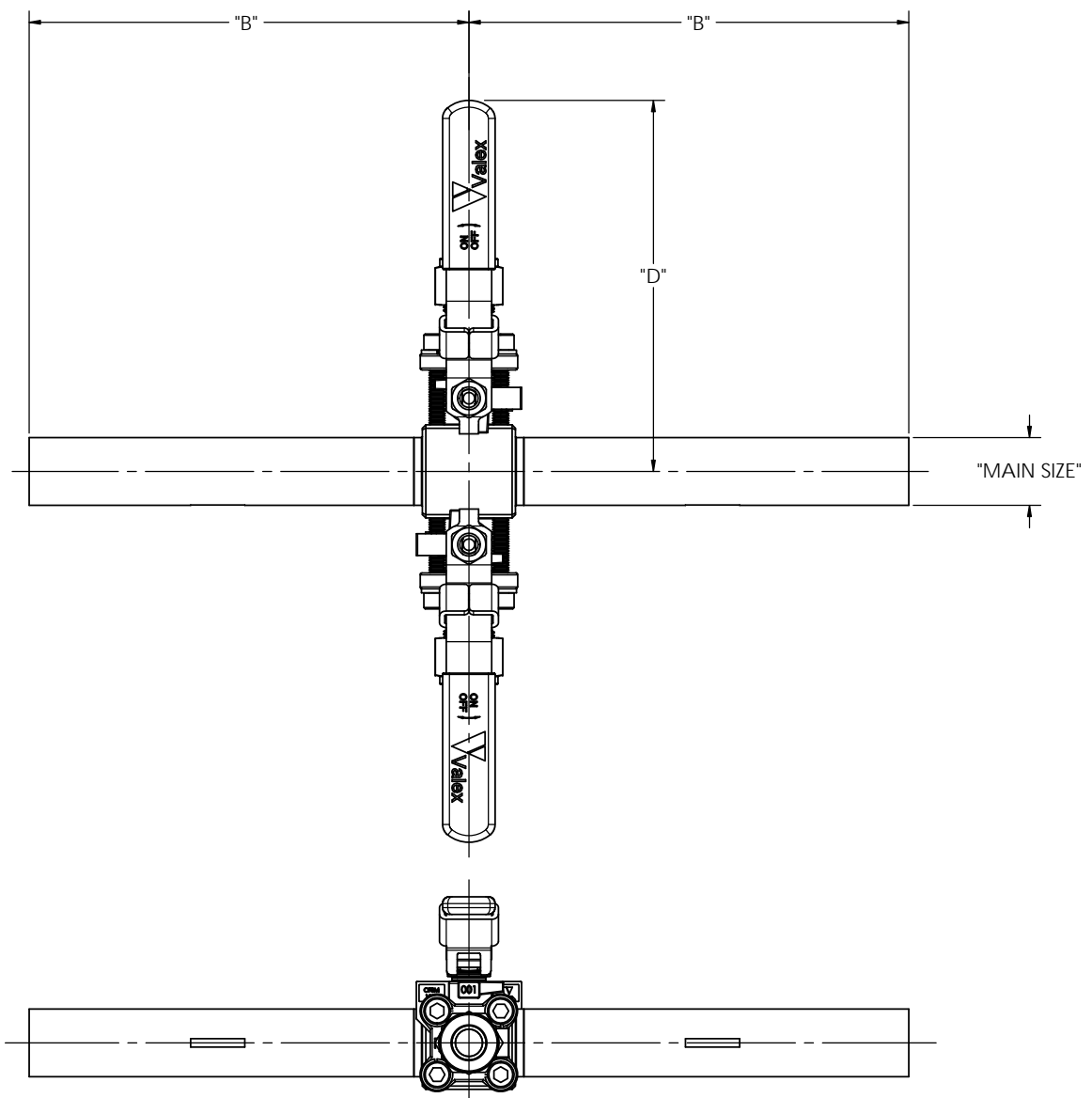



REVISIONS			
REV.	DATE	DESCRIPTION	DCN
E	08-27-2009	REVISE DIMENSIONS	1211
F	08-06-2012	ADD 6" RUN CONFIGURATIONS	1664
G	08-26-2013	CHANGES PER DCN 2037	2037

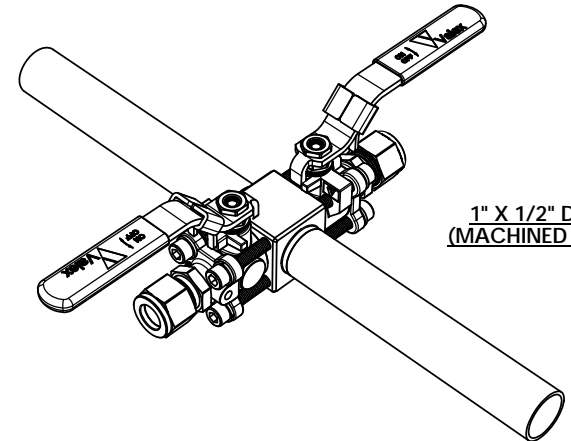


1. DIMENSIONS ARE APPROXIMATE AND MAY VARY FROM VALVE TO VALVE. REFERENCE VALEX SPECIFICATION SP-9217 FOR OVERALL LENGTH TOLERANCES.
2. DIMENSIONS ARE SUBJECT TO CHANGE AS PRODUCT IMPROVEMENTS MAY ALTER VALVE DESIGN.
3. OVERALL LENGTH DIMENSION IS CALCULATED ASSUMING COMPRESSION NUT IS FINGER TIGHT.

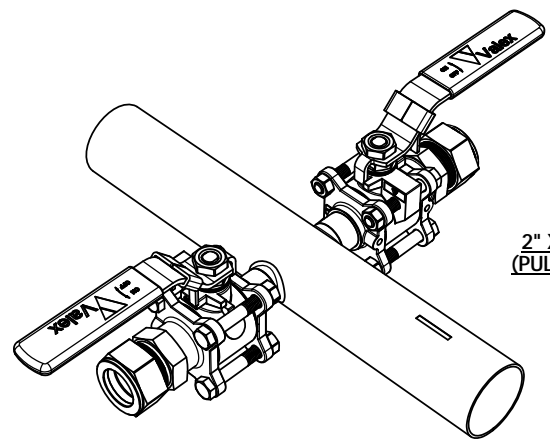
NOTES: UNLESS OTHERWISE SPECIFIED

CAD GENERATED DRAWING. DO NOT MANUALLY UPDATE.		 6080 LELAND ST VENTURA, CA 93003 (805) 658-0944 www.valex.com	
APPROVALS	DATE	BALL VALVE, DHC	
DRAWN: C. MAG	02-01-2002	CROSS, COMPRESSION ENDS	
CHECKED: C. MAG	02-20-2002		
ENG: C. MAG	02-20-2002		
D.A. R. MULLONG	02-21-2002	SIZE: SWG: NDI	REV: G
MFG: T. KELLERBERGER	02-22-2002	SCALE: 0.75:1	PDC-DHC-CC
		SHEET 1 OF 2	

DIMENSIONS IN INCHES					
SIZE		"A"	"B"	"C"	"D"
MAIN	BRANCH				
1/2"	1/4"	2.89	5.50	2.16	5.48
	3/8"	3.01	5.50	2.16	5.48
	1/2"	3.15	5.50	2.16	5.48
3/4"	1/4"	2.89	6.50	2.16	5.48
	3/8"	3.01	6.50	2.16	5.48
	1/2"	3.15	6.50	2.16	5.48
	3/4"	3.70	6.50	2.32	6.42
1"	1/4"	2.89	6.50	2.16	5.48
	3/8"	3.01	6.50	2.16	5.48
	1/2"	3.15	6.50	2.16	5.48
	3/4"	3.70	6.50	2.32	6.42
	1"	5.33	6.50	2.92	7.96
1-1/2"	1/4"	4.38	6.50	2.16	6.97
	3/8"	4.50	6.50	2.16	6.97
	1/2"	4.63	6.50	2.16	6.97
	3/4"	4.98	6.50	2.32	7.70
	1"	5.61	6.50	2.92	8.24
	1-1/2"	7.39	6.50	3.76	10.81
2"	1/4"	4.66	6.50	2.16	7.25
	3/8"	4.78	6.50	2.16	7.25
	1/2"	4.91	6.50	2.16	7.25
	3/4"	5.24	6.50	2.32	7.99
	1"	5.90	6.50	2.92	8.53
	1-1/2"	7.67	6.50	3.76	11.10
	2"	9.17	6.50	4.12	11.35
	2"	9.17	6.50	4.12	11.35
3"	1/4"	5.13	8.50	2.16	7.72
	3/8"	5.25	8.50	2.16	7.72
	1/2"	5.38	8.50	2.16	7.72
	3/4"	5.76	8.50	2.32	8.49
	1"	6.40	8.50	2.92	9.03
	1-1/2"	8.20	8.50	3.76	11.62
	2"	9.69	8.50	4.12	11.87
	2"	9.69	8.50	4.12	11.87
4"	1/4"	5.69	8.50	2.16	8.27
	3/8"	5.80	8.50	2.16	8.27
	1/2"	5.94	8.50	2.16	8.27
	3/4"	6.26	8.50	2.32	8.99
	1"	6.90	8.50	2.92	9.53
	1-1/2"	8.77	8.50	3.76	12.19
	2"	10.24	8.50	4.12	12.44
	2"	10.24	8.50	4.12	12.44
6"	1/4"	6.48	8.50	2.16	9.04
	3/8"	6.55	8.50	2.16	9.04
	1/2"	6.70	8.50	2.16	9.04
	3/4"	7.34	8.50	2.32	10.06
	1"	7.97	8.50	2.92	10.60
	1-1/2"	9.80	8.50	3.76	13.22
	2"	11.29	8.50	4.12	13.47



**1" X 1/2" DHC SHOWN
(MACHINED BLOCK ASSY).**



**2" X 1" DHC SHOWN
(PULLED CROSS ASSY).**

Valex
 6080 LELAND ST
 VENTURA, CA 93003
 (805) 658-0944
 www.valex.com

**BALL VALVE, DHC
 CROSS, COMPRESSION ENDS**

SIZE	DWG. NO.	REV.
C	PDC-DHC-CC	G
SCALE: 0.66:1		SHEET 2 OF 2