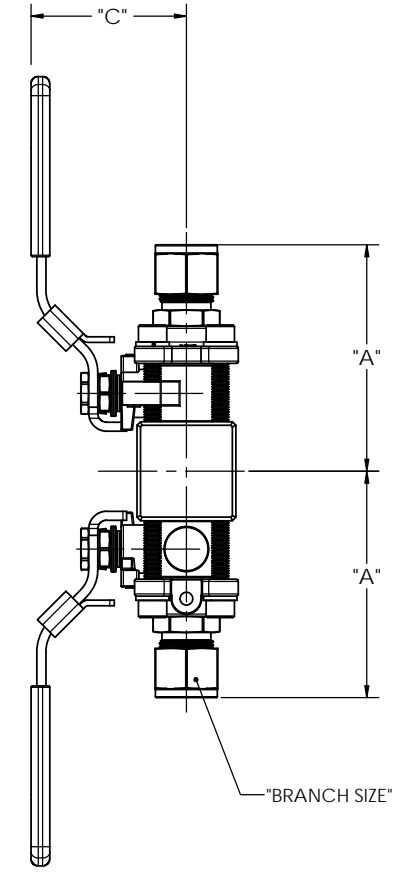
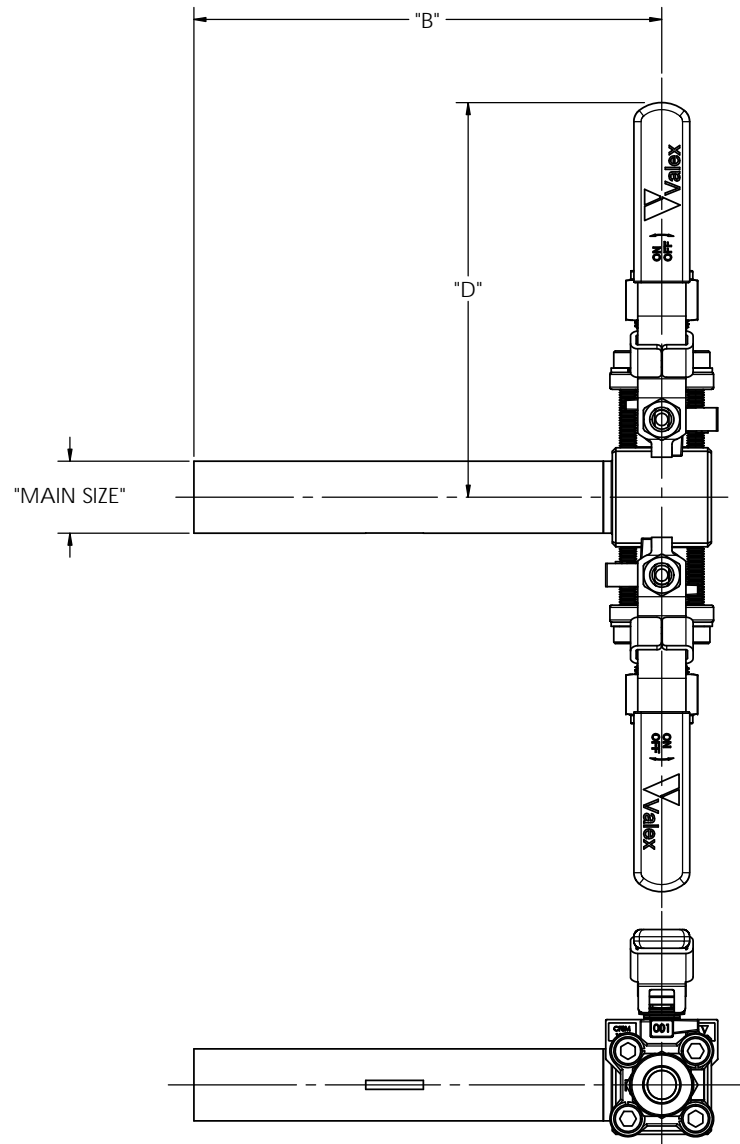



REVISIONS			
REV.	DATE	DESCRIPTION	DCN
A	11-01-2005	INITIAL RELEASE	N/A
B	10-20-2009	REVISE DIMENSIONS	1211
C	08-06-2012	ADD 6" RUN CONFIGURATIONS	1664
D	08-26-2013	CHANGES PER DCN 2037	2037

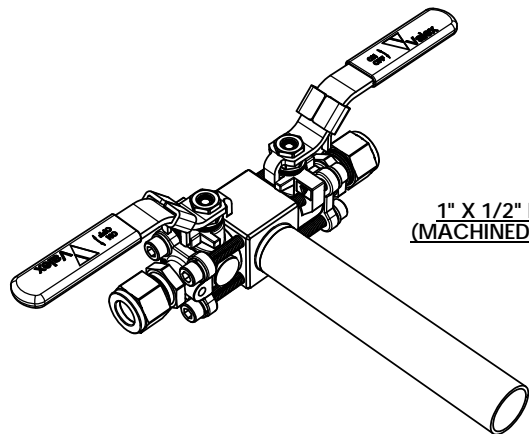


1. DIMENSIONS ARE APPROXIMATE AND MAY VARY FROM VALVE TO VALVE
REFERENCE VALEX SPECIFICATION SP-9217 FOR OVERALL LENGTH TOLERANCES.
2. DIMENSIONS ARE SUBJECT TO CHANGE AS PRODUCT IMPROVEMENTS MAY ALTER VALVE DESIGN.
3. OVERALL LENGTH DIMENSION IS CALCULATED ASSUMING COMPRESSION NUT IS FINGER TIGHT.

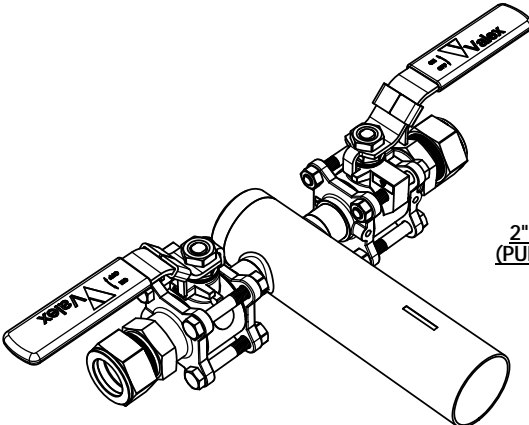
NOTES: UNLESS OTHERWISE SPECIFIED

CAD GENERATED DRAWING DO NOT MANUALLY UPDATE		 6080 LELAND ST VENTURA, CA 93003 (805) 658-0944 www.valex.com	
APPROVALS	DATE	BALL VALVE, DHT CROSS, COMPRESSION ENDS	
DRAWN C. MAO	11-01-2005	SIZE	SWG: N/D
CHECKED M. OXFORD	11-09-2005	CODE	PDC-DHT-CC
ENG. C. MAO	11-07-2005	REV	D
D.A. R. MULLONG	11-08-2005	SCALE	1:1.33333
MFG T. KELLERBERGER	11-07-2005	SHEET 1 OF 2	

DIMENSIONS IN INCHES					
SIZE		"A"	"B"	"C"	"D"
MAIN	BRANCH				
1/2"	1/4"	2.89	5.50	2.16	5.48
	3/8"	3.01	5.50	2.16	5.48
	1/2"	3.15	5.50	2.16	5.48
3/4"	1/4"	2.89	6.50	2.16	5.48
	3/8"	3.01	6.50	2.16	5.48
	1/2"	3.15	6.50	2.16	5.48
	3/4"	3.70	6.50	2.32	6.42
1"	1/4"	2.89	6.50	2.16	5.48
	3/8"	3.01	6.50	2.16	5.48
	1/2"	3.15	6.50	2.16	5.48
	3/4"	3.70	6.50	2.32	6.42
	1"	5.33	6.50	2.92	7.96
1-1/2"	1/4"	4.38	6.50	2.16	6.97
	3/8"	4.50	6.50	2.16	6.97
	1/2"	4.63	6.50	2.16	6.97
	3/4"	4.98	6.50	2.32	7.70
	1"	5.61	6.50	2.92	8.24
2"	1-1/2"	7.39	6.50	3.76	10.81
	1/4"	4.66	6.50	2.16	7.25
	3/8"	4.78	6.50	2.16	7.25
	1/2"	4.91	6.50	2.16	7.25
	3/4"	5.24	6.50	2.32	7.99
	1"	5.90	6.50	2.92	8.53
	1-1/2"	7.67	6.50	3.76	11.10
3"	2"	9.17	6.50	4.12	11.35
	1/4"	5.13	8.50	2.16	7.72
	3/8"	5.25	8.50	2.16	7.72
	1/2"	5.38	8.50	2.16	7.72
	3/4"	5.76	8.50	2.32	8.49
	1"	6.40	8.50	2.92	9.03
	1-1/2"	8.20	8.50	3.76	11.62
	2"	9.69	8.50	4.12	11.87
4"	1/4"	5.69	8.50	2.16	8.27
	3/8"	5.80	8.50	2.16	8.27
	1/2"	5.94	8.50	2.16	8.27
	3/4"	6.26	8.50	2.32	8.99
	1"	6.90	8.50	2.92	9.53
	1-1/2"	8.77	8.50	3.76	12.19
6"	2"	10.24	8.50	4.12	12.44
	1/4"	6.48	8.50	2.16	9.04
	3/8"	6.55	8.50	2.16	9.04
	1/2"	6.70	8.50	2.16	9.04
	3/4"	7.34	8.50	2.32	10.06
	1"	7.97	8.50	2.92	10.60
	1-1/2"	9.80	8.50	3.76	13.22
	2"	11.29	8.50	4.12	13.47



**1" X 1/2" DHT SHOWN
(MACHINED BLOCK ASSY).**



**2" X 1" DHT SHOWN
(PULLED CROSS ASSY).**