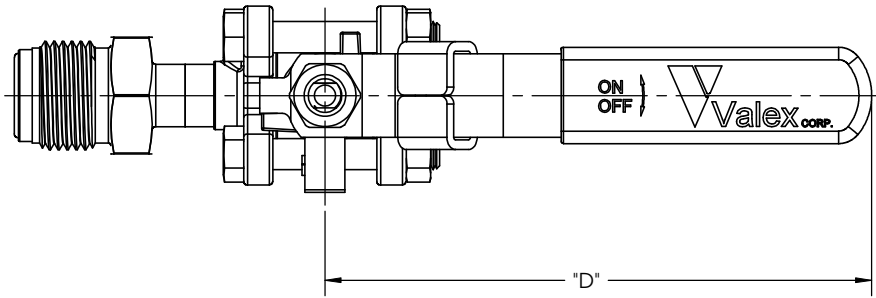
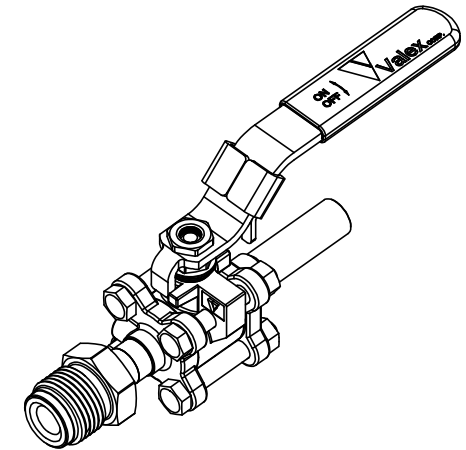
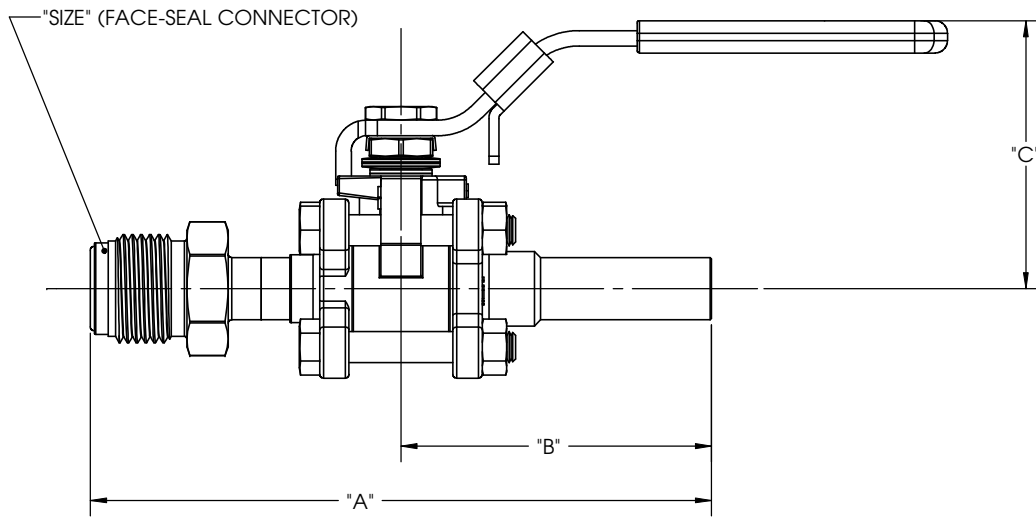


THE INFORMATION CONTAINED IN THIS DRAWING IS THE SOLE PROPERTY OF VALEX CORPORATION. ANY REPRODUCTION IN PART OR WHOLE WITHOUT THE WRITTEN PERMISSION OF VALEX CORPORATION IS PROHIBITED.

REVISION RECORD			
REV.	DATE	DESCRIPTION	DCN
A	10-08-2010	INITIAL RELEASE	N/A




DIMENSIONS IN INCHES				
SIZE	"A"	"B"	"C"	"D"
1/4"	4.63	2.25	2.16	4.40
1/2"	5.00	2.50	2.16	4.40
3/4"	5.63	2.63	2.32	5.11
1"	6.13	2.75	2.92	5.65



1. DIMENSIONS ARE APPROXIMATE AND MAY VARY FROM VALVE TO VALVE. REFERENCE VALEX SPECIFICATION SP-9217 FOR OVERALL LENGTH TOLERANCES.
2. IF PURGE PORT OPTION IS SELECTED (NOT SHOWN), 1/4" PURGE WILL BE USED.
3. DIMENSIONS ARE SUBJECT TO CHANGE AS PRODUCT IMPROVEMENTS MAY ALTER VALVE DESIGN.

NOTES: UNLESS OTHERWISE SPECIFIED

UNLESS OTHERWISE SPECIFIED DIMENSIONS ARE IN INCHES TOLERANCES ARE:		CAD GENERATED DRAWING. DO NOT MANUALLY UPDATE		 6080 LELAND ST. VENTURA, CA, 93003 (805) 658-0944 www.valex.com			
DECIMALS .XX ± 0.10 .XXX ± 0.05	ANGLES ± 1°	APPROVALS	DATE				
BREAK ALL SHARP EDGES: N/A		DRAWN C. MAG	10-07-2010	BALL VALVE, STR STRAIGHT, FS-IN, TS-OUT			
MATERIAL SEE SP-9217		CHECKED T. NEVINS	10-07-2010				
DO NOT SCALE DRAWING		ENG. C. MAG	10-07-2010			SIZE B	DWG. NO. PDC-STR-FM
		Q.A. R. MULDRONG	10-07-2010			SCALE: 1:1	REV. A
		MFG. T. KELLENBERGER	10-07-2010	SHEET 1 OF 1			