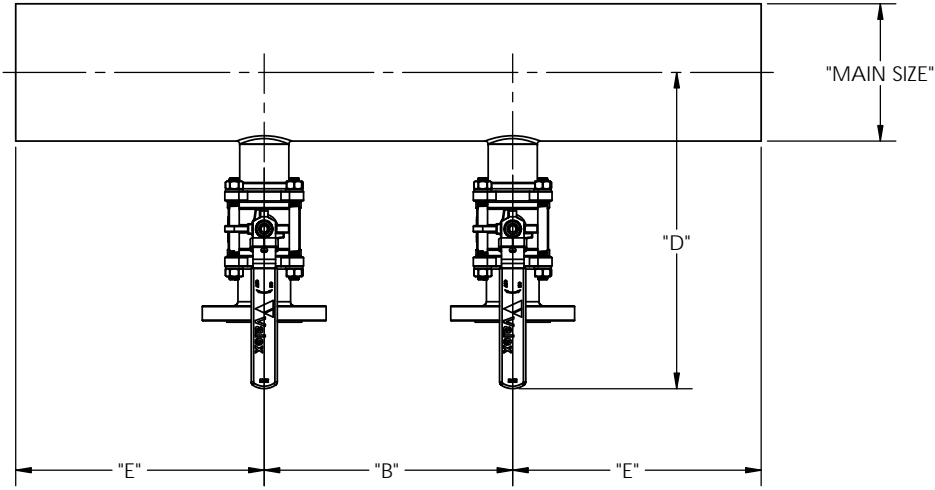
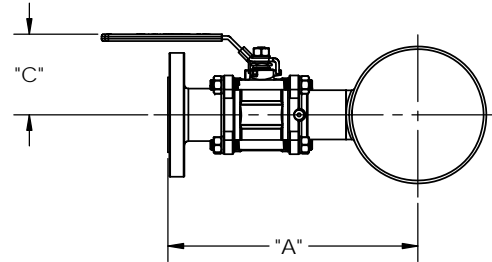
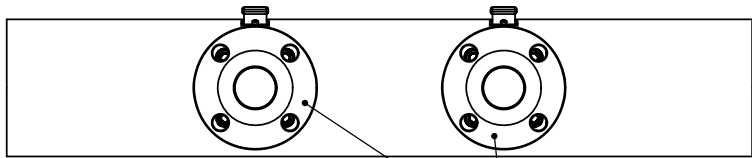


| REVISION RECORD | | | |
|-----------------|------------|----------------------|------|
| REV. | DATE | DESCRIPTION | DCN |
| A | 02-20-2013 | INITIAL RELEASE | 1758 |
| B | 04-16-2013 | CHANGES PER DCN 1896 | 1896 |




| DIMENSIONS IN MILLIMETERS | | | | | | |
|---------------------------|------------|-------|-------|-----|-----|-------|
| MAIN | SIZE | "A" | "B" | "C" | "D" | "E" |
| | BRANCH | | | | | |
| NPS 6" | NPS 1-1/2" | 281.9 | 304.8 | 91 | 381 | 304.8 |
| | NPS 2" | 306.4 | 304.8 | 99 | 388 | 304.8 |
| NPS 8" | NPS 1-1/2" | 307.3 | 304.8 | 91 | 406 | 304.8 |
| | NPS 2" | 331.8 | 304.8 | 99 | 413 | 304.8 |



1. DIMENSIONS ARE APPROXIMATE AND MAY VARY FROM VALVE TO VALVE. REFERENCE VALEX SPECIFICATION SP-9236 FOR OVERALL LENGTH TOLERANCES.
2. DIMENSIONS ARE SUBJECT TO CHANGE AS PRODUCT IMPROVEMENTS MAY ALTER VALVE DESIGN.

NOTES: UNLESS OTHERWISE SPECIFIED

| | | | |
|--|------------|--|----------------|
| CAD GENERATED DRAWING. DO NOT MANUALLY UPDATE | |  6080 LELAND ST. VENTURA, CA, 93003 (805) 558-0944 www.valex.com | |
| APPROVALS | DATE | BALL VALVE, PCW DSS CROSS, PIPE X FLANGE | |
| DRAWN | | | |
| CHECKED | | | |
| ENG. | | | |
| C.A. | | SIZE | DWG. NO. |
| R. MULDONG | 02-14-2013 | B | PDC-PCW-DSS-LF |
| MFG. | | SCALE: 1:6 | REV. B |
| T. KELLENBERGER | 02-14-2013 | | |