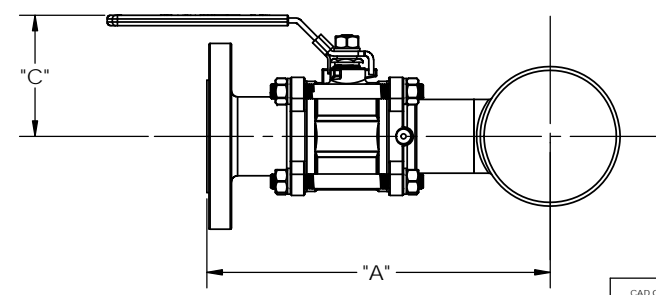
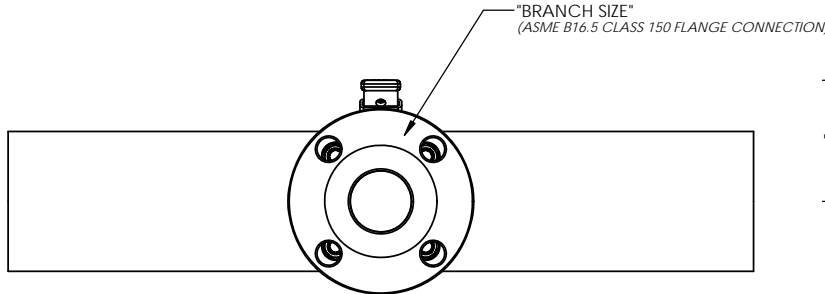
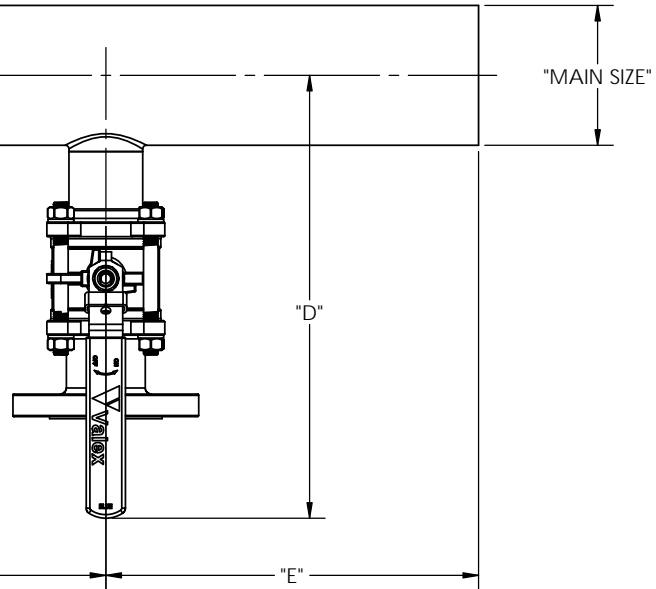



REVISION RECORD			
REV.	DATE	DESCRIPTION	DCN
A	06-26-2013	INITIAL RELEASE	1979
B	05-07-2015	CHANGES PER DCN 2634	2634
C	07-28-2016	CHANGES PER DCN 3146	3146

DIMENSIONS IN MILLIMETERS						
SIZE		"A"	"B"	"C"	"D"	"E"
MAIN	BRANCH					
NPS 2	NPS 3/4	161.2	228.6	65	236	228.6
NPS 3	NPS 3/4	175.5	304.8	65	250	304.8
NPS 4	NPS 3/4	188.2	304.8	65	263	304.8
NPS 6	NPS 3/4	214.0	304.8	65	289	304.8
NPS 2	NPS 1	174.7	228.6	74	270	228.6
NPS 3	NPS 1	189.0	304.8	74	285	304.8
NPS 4	NPS 1	201.7	304.8	74	297	304.8
NPS 6	NPS 1	227.5	304.8	74	323	304.8
NPS 3	NPS 1-1/2	243.5	304.8	91	343	304.8
NPS 4	NPS 1-1/2	256.2	304.8	91	355	304.8
NPS 6	NPS 1-1/2	282.0	304.8	91	381	304.8
NPS 8	NPS 1-1/2	307.3	304.8	91	406	304.8
NPS 3	NPS 2	268.0	304.8	99	351	304.8
NPS 4	NPS 2	280.7	304.8	99	364	304.8
NPS 6	NPS 2	306.5	304.8	99	390	304.8
NPS 8	NPS 2	331.9	304.8	99	415	304.8
NPS 4	NPS 3	325.9	304.8	149	462	304.8
NPS 6	NPS 3	351.7	304.8	149	488	304.8
NPS 8	NPS 3	377.0	304.8	149	513	304.8



1. DIMENSIONS ARE APPROXIMATE AND MAY VARY FROM VALVE TO VALVE. REFERENCE VALEX SPECIFICATION SP-9236 FOR OVERALL LENGTH TOLERANCES.
2. DIMENSIONS ARE SUBJECT TO CHANGE AS PRODUCT IMPROVEMENTS MAY ALTER VALVE DESIGN.

NOTES: UNLESS OTHERWISE SPECIFIED

CAD GENERATED DRAWING. DO NOT MANUALLY UPDATE		 6080 LELAND ST. VENTURA, CA, 93003 (805) 658-0944 www.valex.com	
APPROVALS	DATE	BALL VALVE, PCW SHC CROSS, PIPE X FLANGE	SIZE B DWG. NO. PDC-PCW-SHC-LF REV. C
DRAWN C. MAG	06-24-2013		
CHECKED T. NEVINS	06-25-2013	SCALE: 1:4	
ENG. C. MAG	06-25-2013	SHEET 1 OF 1	
C.A. R. MULDRON	06-25-2013		
MFG. T. KELLENBERGER	06-25-2013		