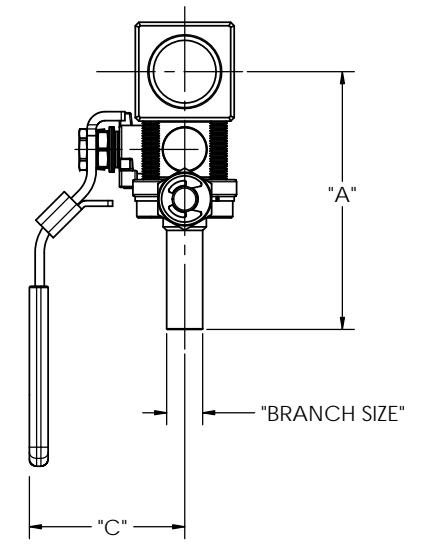
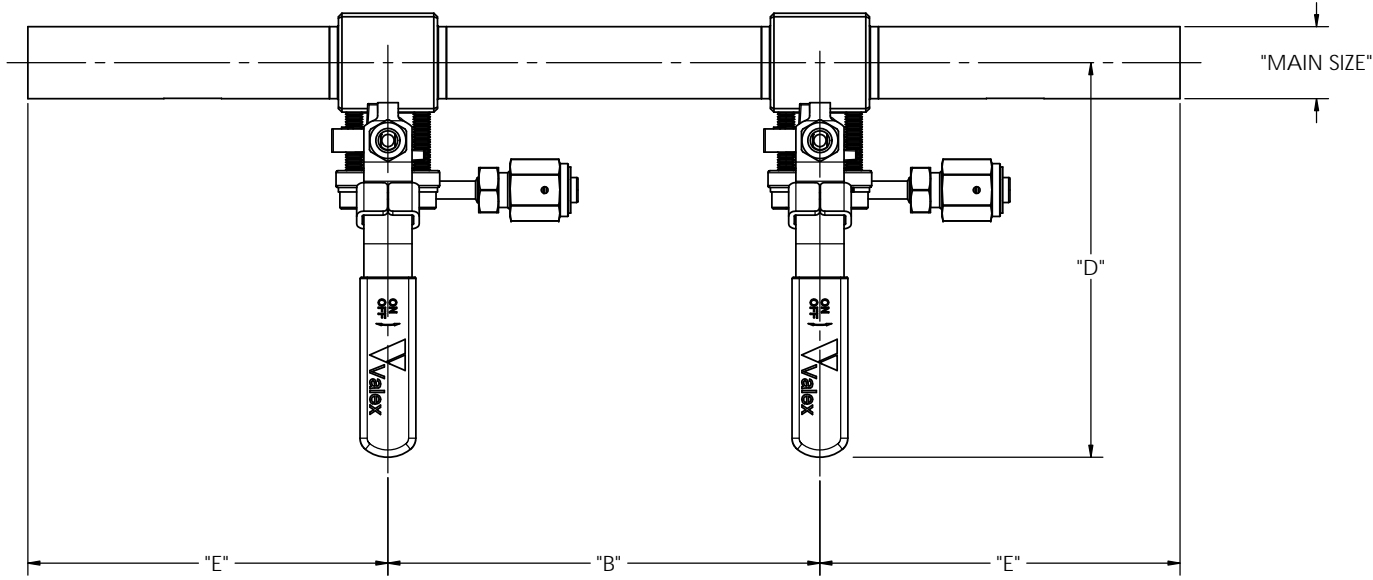
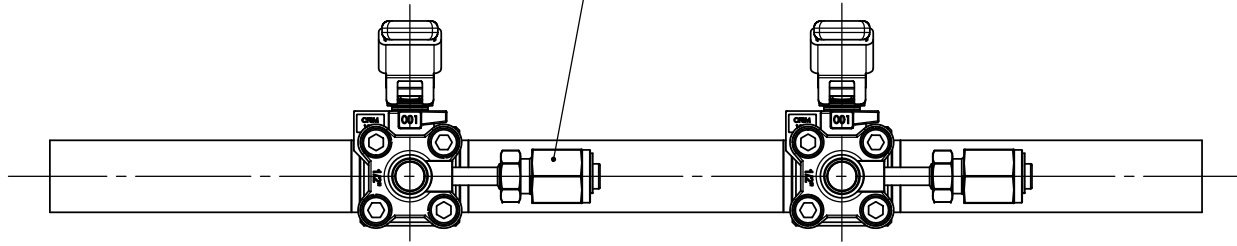


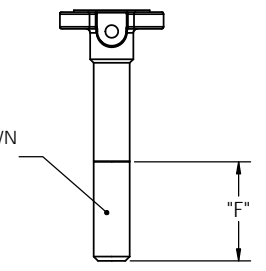
REVISION RECORD			
REV.	DATE	DESCRIPTION	DCN
F	05-06-2010	REVISE DIMENSIONS	1299
G	02-23-2011	REVISE DIMENSIONS	1362
H	12-12-2011	ADD 4" X 3/4" CONFIGURATION	1531
I	03-28-2012	CHANGES PER DCN 1567	1567



OPTIONAL BRANCH VALVE
FACE-SEAL PURGE PORTS SHOWN.
COMPRESSION FITTING PURGE
PORTS ALSO AVAILABLE.



OPTIONAL END CAP SHOWN
WELDED TO TUBE STUB

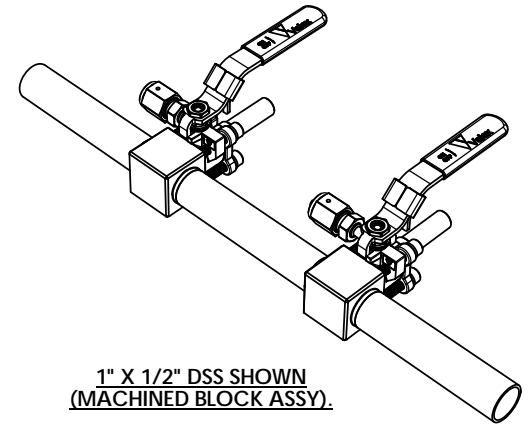


1. DIMENSIONS ARE APPROXIMATE AND MAY VARY FROM VALVE TO VALVE
REFERENCE VALEX SPECIFICATION SP-9217 FOR OVERALL LENGTH TOLERANCES.
2. DIMENSIONS ARE SUBJECT TO CHANGE AS PRODUCT IMPROVEMENTS MAY ALTER VALVE DESIGN.
3. OVERALL LENGTH DIMENSION IS CALCULATED ASSUMING COMPRESSION NUT IS FINGER TIGHT.

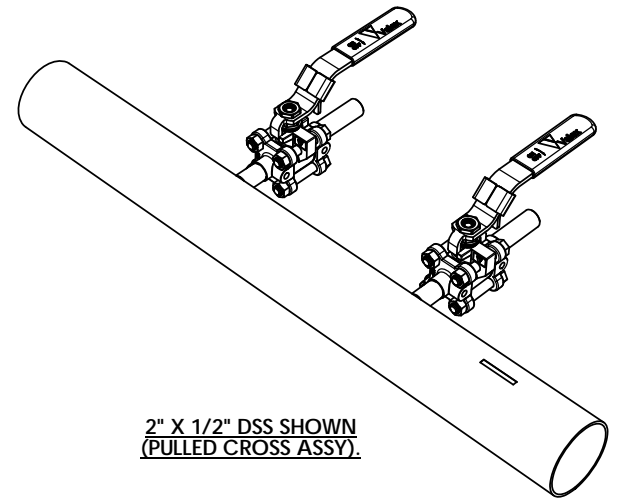
NOTES: UNLESS OTHERWISE SPECIFIED

CAD GENERATED DRAWING DO NOT MANUALLY UPDATE		6080 LELAND ST VENTURA, CA 93003 (805) 658-0944 www.valex.com	
APPROVALS	DATE	 BALL VALVE, DSS CROSS, TUBE ENDS	
DRAWN: C. MAG	01-24-2002		
CHECKED: C. MAG	02-20-2002		
ENG: C. MAG	02-20-2002		
D.A. R. MALDONG	02-21-2002		
MFG: T. KELLERBERGER	02-21-2002	SCALE: 0.75:1	REV: 1 SHEET 1 OF 2

DIMENSIONS IN INCHES							
SIZE		"A"	"B"	"C"	"D"	"E"	"F"
MAIN	BRANCH						
1/2"	1/4"	3.33	6.00	2.16	5.48	5.00	1.13
	3/8"	3.33	6.00	2.16	5.48	5.00	1.13
	1/2"	3.58	6.00	2.16	5.48	5.00	1.38
3/4"	1/4"	3.33	6.00	2.16	5.48	5.00	1.13
	3/8"	3.33	6.00	2.16	5.48	5.00	1.13
	1/2"	3.58	6.00	2.16	5.48	5.00	1.38
	3/4"	3.93	6.00	2.32	6.42	5.00	1.75
1"	1/4"	3.33	6.00	2.16	5.48	5.00	1.13
	3/8"	3.33	6.00	2.16	5.48	5.00	1.13
	1/2"	3.58	6.00	2.16	5.48	5.00	1.38
	3/4"	3.93	6.00	2.32	6.42	5.00	1.75
	1"	5.06	7.00	2.92	7.96	6.50	1.75
1-1/2"	1/4"	4.82	6.00	2.16	6.97	6.00	1.13
	3/8"	4.82	6.00	2.16	6.97	6.00	1.13
	1/2"	5.07	6.00	2.16	6.97	6.00	1.38
	3/4"	5.22	6.00	2.32	7.70	6.00	1.75
	1"	5.34	7.00	2.92	8.24	6.50	1.75
2"	1/4"	5.10	6.00	2.16	7.25	6.00	1.13
	3/8"	5.10	6.00	2.16	7.25	6.00	1.13
	1/2"	5.35	6.00	2.16	7.25	6.00	1.38
	3/4"	5.48	6.00	2.32	7.99	6.00	1.75
	1"	5.63	7.00	2.92	8.53	6.50	1.75
3"	1/4"	5.57	6.00	2.16	7.72	6.00	1.13
	3/8"	5.57	6.00	2.16	7.72	6.00	1.13
	1/2"	5.82	6.00	2.16	7.72	6.00	1.38
	3/4"	6.00	6.00	2.32	8.49	6.00	1.75
	1"	6.13	7.00	2.92	9.03	6.50	1.75
4"	1/4"	6.07	6.00	2.16	8.22	6.00	1.13
	3/8"	6.07	6.00	2.16	8.22	6.00	1.13
	1/2"	6.32	6.00	2.16	8.22	6.00	1.38
	3/4"	6.50	6.00	2.32	8.99	6.00	1.75
	1"	6.63	7.00	2.92	9.53	6.50	1.75



**1" X 1/2" DSS SHOWN
(MACHINED BLOCK ASSY).**



**2" X 1/2" DSS SHOWN
(PULLED CROSS ASSY).**