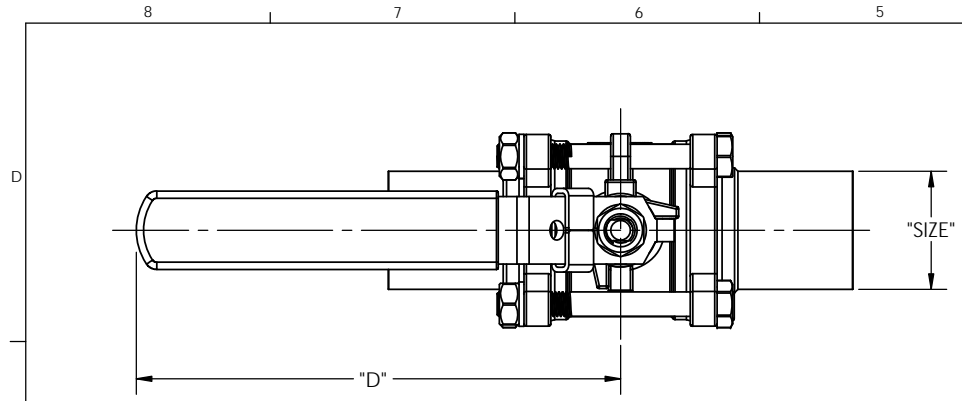
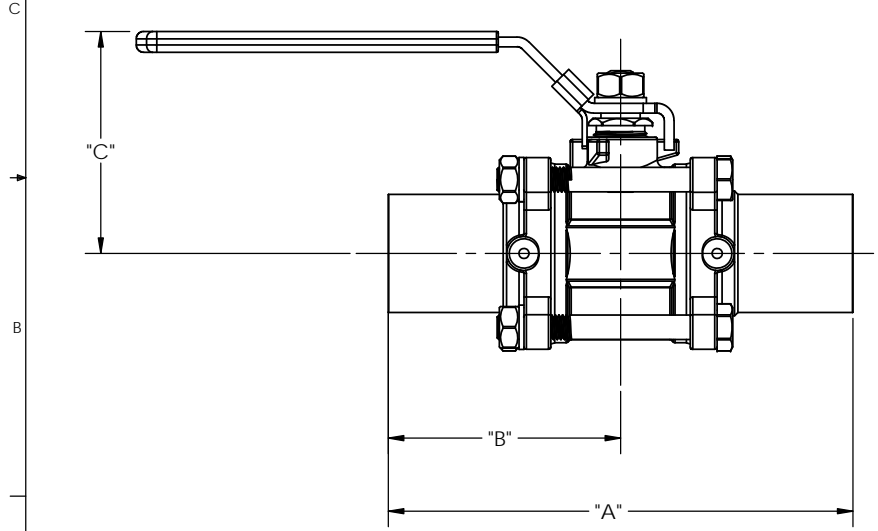


REVISION RECORD			
REV.	DATE	DESCRIPTION	DCN
A	02-20-2013	INITIAL RELEASE	1758
B	04-16-2013	CHANGES PER DCN 1896	1896
C	06-11-2014	CHANGES PER DCN 2103	2103
D	05-22-2018	CHANGES PER DCN 3976	3976

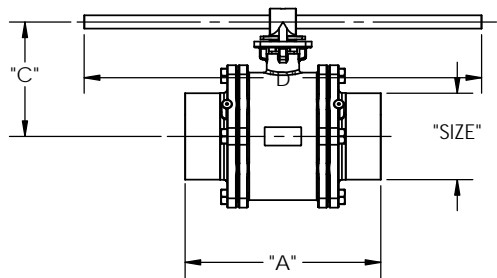
DIMENSIONS IN MILLIMETERS				
SIZE	"A"	"B"	"C"	"D"
NPS 1/2	135.4	67.7	59	105
NPS 3/4	135.0	67.5	65	133
NPS 1	152.0	76.0	74	159
NPS 1-1/2	190.0	95.0	91	198
NPS 2	204.0	102.0	99	198
NPS 3	280.0	140.0	149	260
NPS 4	306.0	153.0	186	288
NPS 5	320.0	160.0	198	650
NPS 6	376.4	188.2	235	305



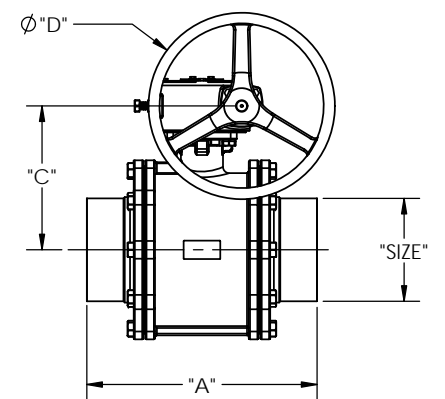
SIZES NPS 1/2 THRU NPS 4



SIZE NPS 5



SIZE NPS 6



1. DIMENSIONS ARE APPROXIMATE AND MAY VARY FROM VALVE TO VALVE. REFERENCE VALEX SPECIFICATION SP-9236 FOR OVERALL LENGTH TOLERANCES.
2. DIMENSIONS ARE SUBJECT TO CHANGE AS PRODUCT IMPROVEMENTS MAY ALTER VALVE DESIGN.

NOTES: UNLESS OTHERWISE SPECIFIED

CAD GENERATED DRAWING. DO NOT MANUALLY UPDATE				6080 LELAND ST. VENTURA, CA, 93003 (805) 658-0944 www.valex.com	
APPROVALS	DATE	BALL VALVE, PCW STRAIGHT, PIPE ENDS			
DRAWN C. MAG	01-15-2013				
CHECKED T. NEVINS	02-14-2013				
ENG. C. MAG	02-14-2013				
C.A. R. MULDRON	02-14-2013	SIZE B	DWG. NO. PDC-PCW-STR-LL	REV. D	
MFG. T. KELLENBERGER	02-14-2013	SCALE: 1:2	SHEET 1 OF 1		