

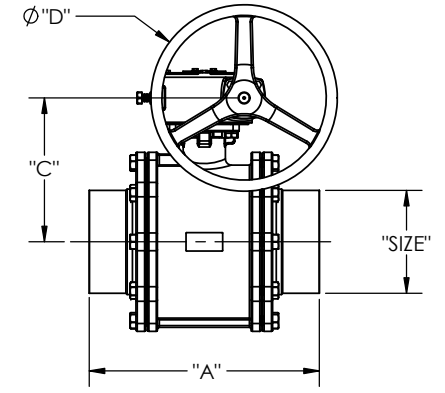
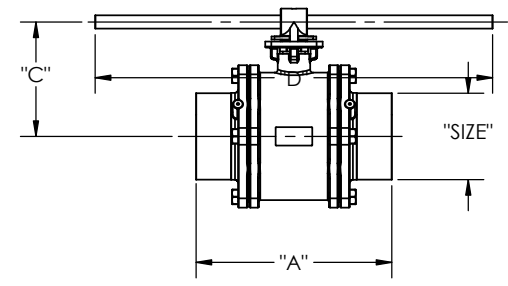
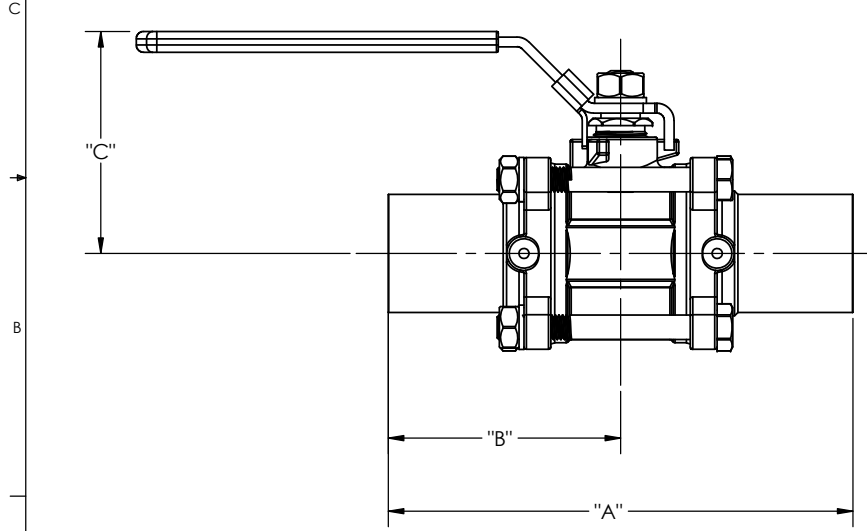
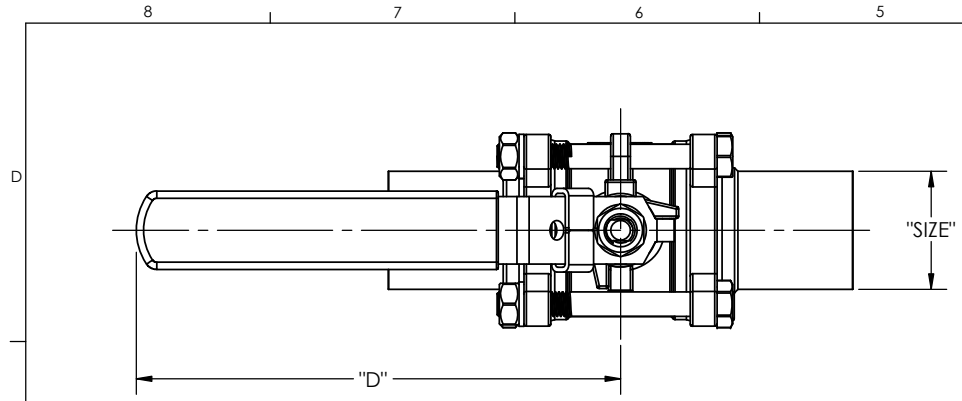
| REVISION RECORD | | | |
|-----------------|------------|----------------------|------|
| REV. | DATE | DESCRIPTION | DCN |
| C | 06-11-2014 | CHANGES PER DCN 2103 | 2103 |
| D | 05-22-2018 | CHANGES PER DCN 3976 | 3976 |
| E | 02-25-2019 | CHANGES PER DCN 4219 | 4219 |

| DIMENSIONS IN MILLIMETERS | | | | |
|---------------------------|-------|-------|-----|-----|
| SIZE | "A" | "B" | "C" | "D" |
| NPS 1/2 / JIS 15A | 135.4 | 67.7 | 59 | 105 |
| NPS 3/4 / JIS 20A | 135.0 | 67.5 | 65 | 133 |
| NPS 1 / JIS 25A | 152.0 | 76.0 | 74 | 159 |
| NPS 1-1/2 / JIS 40A | 190.0 | 95.0 | 91 | 198 |
| NPS 2 / JIS 50A | 204.0 | 102.0 | 99 | 198 |
| NPS 3 / JIS 80A | 280.0 | 140.0 | 149 | 260 |
| NPS 4 / JIS 100A | 306.0 | 153.0 | 186 | 288 |
| NPS 5 / JIS 125A | 320.0 | 160.0 | 198 | 650 |
| NPS 6 / JIS 150A | 376.4 | 188.2 | 235 | 305 |

**SIZES: NPS 1/2 THRU NPS 4
JIS 15A THRU JIS 100A**


SIZES: NPS 6 / JIS 150A

SIZES: NPS 5 / JIS 125A



1. DIMENSIONS ARE APPROXIMATE AND MAY VARY FROM VALVE TO VALVE. REFERENCE VALEX SPECIFICATION SP-9236 FOR OVERALL LENGTH TOLERANCES.
2. DIMENSIONS ARE SUBJECT TO CHANGE AS PRODUCT IMPROVEMENTS MAY ALTER VALVE DESIGN.

NOTES: UNLESS OTHERWISE SPECIFIED

| | | | |
|--|------------|--|----------------------------|
| CAD GENERATED DRAWING. DO NOT MANUALLY UPDATE | |  6080 LELAND ST. VENTURA, CA, 93003 (805) 638-0944 www.valex.com | |
| APPROVALS | DATE | BALL VALVE, PCW STRAIGHT, PIPE ENDS | |
| DRAWN C. MAO | 01-15-2013 | | |
| CHECKED T. NEVINS | 02-14-2013 | | |
| ENG. C. MAO | 02-14-2013 | | |
| Q.A. R. MULDONG | 02-14-2013 | SIZE B | DWG. NO. PDC-PCW-STR-LL |
| MFG. T. KELLENBERGER | 02-14-2013 | SCALE: 1:2 | REV. E SHEET 1 OF 1 |