

COMPONENTS • MANUFACTURING  
**ONE** Trusted SOURCE  
TESTING • ASSEMBLY



## CFOS Gas Stick

Integrated,  
Stainless,  
Forged,  
& Ready for Work.





Bulk gas sticks typically consist of the marriage of three components: a shutoff valve, a pressure control regulator, and gauge. Our CFOS gas stick combines these components into a singular, simple-to-use, integrated device.

A forged one-piece stainless steel regulator body with integrated pressure gauge, and optional pre-installed shut-off valve, makes for less field connections, and eases installation. Each stick is CFOS cleaned, and embodies a broad set of features.

## Product Description

- Size Range: 1/4" – 3/4"
- Compression fitting and tube connection options
- Forged 316L stainless-steel construction

## Features & Benefits

- Cleaned for Oxygen Grade Service (CFOS) in accordance with CGA G-4.1
- Compact length for ease of installation in confined spaces
- Stainless 74  $\mu\text{M}$  pre-filter screen
- Integrated mounting holes with optional strut channel mounting bracket
- 100% functional and helium-leak tested
- Cleanroom Nitrogen-purged and double-bagged
- Each stick includes a Certificate-of-Compliance to Valex specification SP-9240
- .003 Micron outlet filter options available

## Performance Specification

**Regulator Flow Capacity** 0.15 Cv & 1.8 Cv options

### Pressure

Max. Operating Pressure 500 PSIG (35 BARG)  
Outlet Pressure Range 15 to 150 PSIG  
(1.0 to 10.3 BARG)

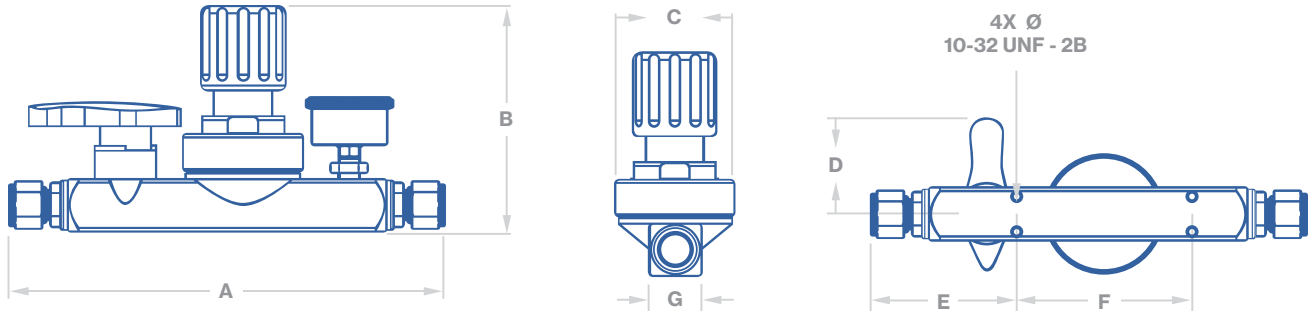
### Helium Leak Rate

$< 1 \times 10^{-7}$  atm • cc/s

### Temperature Range

32°F to 160°F  
(0°C to 70°C)



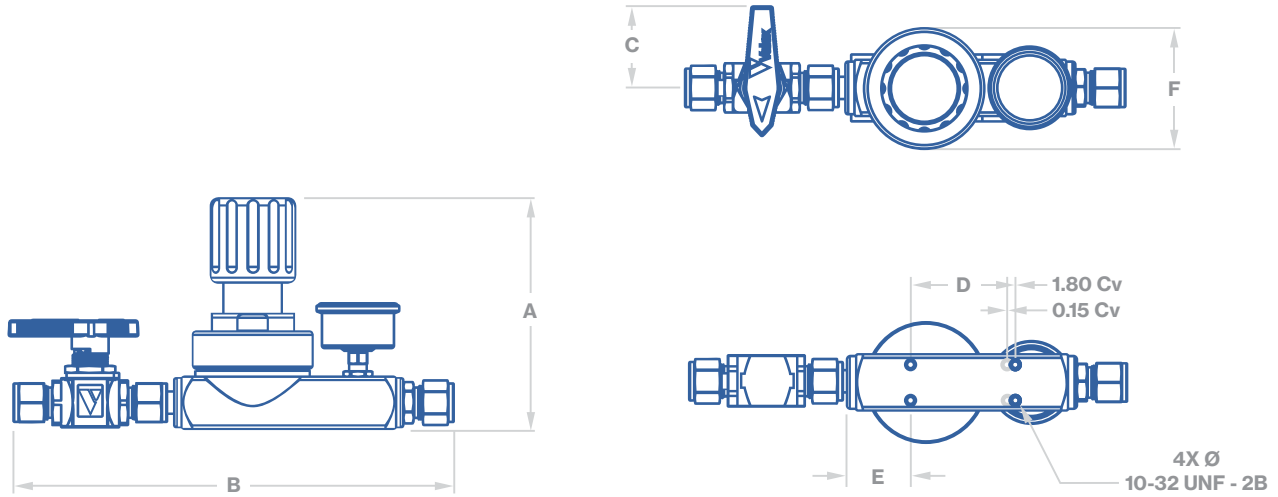


**Dimensions for Type G (Listed as Millimeters\*)**

Assembly Size	A	B	C	D	E	F	G
1/4" (0.15 Cv)	195.3	98.0	48.0	39.5	62.0	75.0	13.0
3/8" (0.15 Cv)	200.9	98.0	48.0	39.5	64.8	75.0	13.0
3/8" (1.80 Cv)	243.3	128.0	69.1	58.7	80.5	100.0	20.3
1/2" (1.80 Cv)	246.9	128.0	69.1	58.7	83.3	100.0	20.3
3/4" (1.80 Cv)	253.0	128.0	69.1	58.7	85.2	100.0	20.3

\* Dimensions are approximate, may vary from listed values, and assumes compression nuts are finger tight. Please consult factory for dimensions on other configurations.



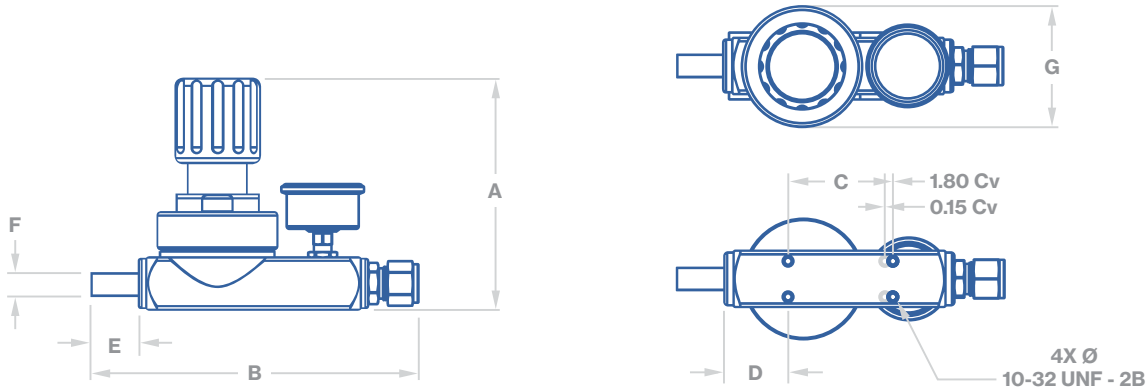


### Dimensions for Type G2 (Listed as Millimeters\*)

Assembly Size	A	B	C	D	E	F
1/4" (0.15 Cv)	98 - 107	176.8	31.0	45.0	31.5	48.0
1/2" (1.80 Cv)	131 - 140	224.1	46.5	59.7	36.3	68.6

\* Dimensions are approximate, may vary from listed values, and assumes compression nuts are finger tight. Please consult factory for dimensions on other configurations.





## Dimensions for Type G3 (Listed as Millimeters\*)

Assembly Size	A	B	C	D	E	F	G
1/4" (0.15 Cv)	98 - 107	126.0	45.0	31.5	19.1	162.6	48.0
3/8" (0.15 Cv)	98 - 107	154.9	45.0	31.5	21.6	241.3	48.0
1/2" (1.80 Cv)	131 - 140	158.0	59.7	36.3	26.9	322.6	68.6
3/4" (1.80 Cv)	131 - 140	190.5	59.7	36.3	26.9	485.1	68.6

\* Dimensions are approximate, may vary from listed values, and assumes compression nuts are finger tight. Please consult factory for dimensions on other configurations.

## Pressure Gauge Specification



Enclosure Rating	IP65
Pressure Range	-30inHg-0-160 PSIG (-1 to 11 BARG)
Pressure Accuracy	± 3% of Full Scale
Gauge Size	47mm Diameter
Case Bezel	304 SS / Glass

## Materials of Construction (Wetted)

Component	Material
<b>Stick Body</b>	
Forged Base	316L SS
<b>Ball Valve</b>	
Body / Ball	316L / CF3M / CF8M SS
Seat / Seals	PTFE
<b>Regulator</b>	
Diaphragm	316 SS
Poppet	316L SS
Poppet Spring	316L SS
Poppet Seat	PTFE
Poppet Guide	PTFE
Guide Seat	316L SS
<b>Gauge</b>	
Fitting	304 SS

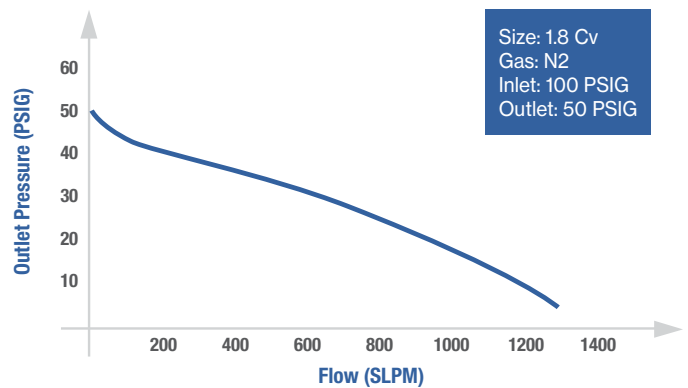
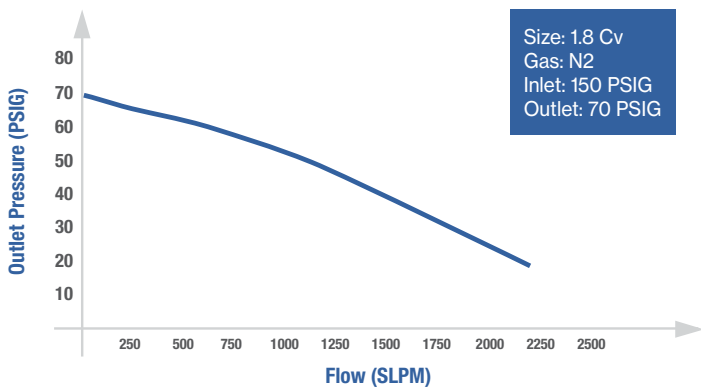
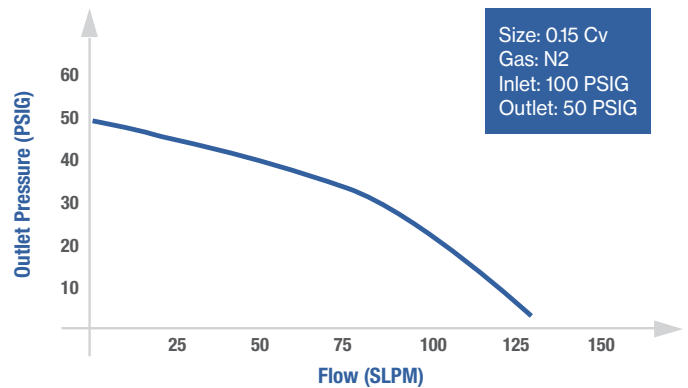
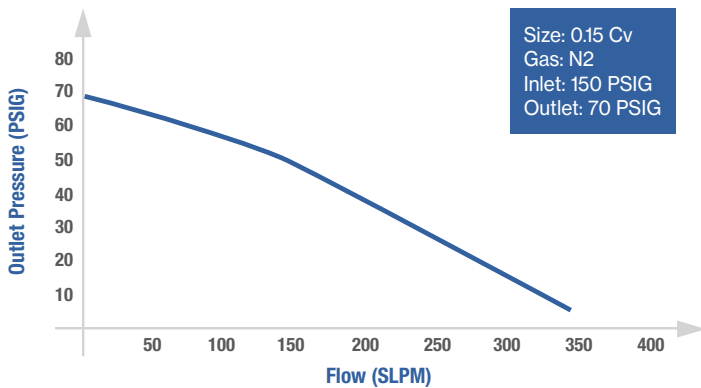
SS = Stainless Steel

## Valve Lockout Bracket



Ball valve lock-closed bracket option is available. Option does not include lock or key.

# Flow Curves



[www.valex.com](http://www.valex.com)

**Valex Corporate  
Offices & Manufacturing**  
6080 Leland Street  
Ventura, CA 93003  
Phone: 805-658-0944

32 Hansan-gil  
Cheongbuk-eup  
Pyeongtaek-si, Gyeonggi-do  
Republic of Korea  
Phone: 82-31-683-0119

No. 559 Yuanzhong Road  
Nanhui Industrial Zone  
Pudong New District  
Shanghai, China 201399  
Phone: 86-21-58183189

## Ordering Information

**G 2 A - 0 4 - 0 4 C - 1 - 0 0**

**G | 2**

### Type

- G = In-line Gas Stick
- G2 = Regulator & Gauge with Detachable Ball Valve
- G3 = Regulator & Gauge Only

**A**

### Regulator Size\*

- A = 0.15 Cv
- B = 1.8 Cv

**0 | 4**

### Inlet Size

- 04 = 1/4"
- 06 = 3/8"
- 08 = 1/2"
- 12 = 3/4"

**0 | 4**

### Outlet Size

- 04 = 1/4"
- 06 = 3/8"
- 08 = 1/2"
- 12 = 3/4"

**C**

### Connection Type

- C = Compression

**1**

### Gauge

- 1 = -30inHg-160 psig

**0**

### Lockout & Mounting Bracket Options

- 0 = Not Required
- 1 = Mounting Bracket (Strut Channel Compatible)
- 2 = Valve Lockout
- 3 = Valve Lockout & Mounting Bracket

**0**

### Outlet Filter Option (.003 μM)

- 0 = Not Required
- 1 = TEM Filter (low flow)
- 2 = TEM Filter (high flow)
- 3 = Entegris Filter

\* 0.15 Cv size is typically used for 1/4" gas sticks, while 1.8 Cv is typically used for 3/8" to 3/4" gas sticks.