



Mini
Ball Valve



Product Description

- Size Range: 1/4" – 3/4"
- Pressure Rating: 1000 PSIG (69 BARG)
- Temperature Range: -20°F to 450°F (-29°C to 232°C)

Features & Benefits

- 2-Piece Design
- Panel mount capability
- 100% Helium leak tested to 1×10^{-7} atm•cc/sec
- Cleaned for Oxygen Service (CFOS)
- High cycle life performance
- Full port I.D. for minimum flow turbulence
- Inspected to meet Valox quality standards, and comes with a Certificate of Compliance to Valox specification SP-9229
- Nitrogen-purged and double polyethylene bagged
- ISO Class 5 cleanroom assembled, tested & packaged
- Lock-out bracket option available

Flow Coefficient

| Valve Size | Flow Orifice | Cv ¹ |
|------------|--------------|-----------------|
| 1/4" | 0.180" | 2.9 |
| 3/8" | 0.305" | 9.0 |
| 1/2" | 0.402" | 16.3 |
| 3/4" | 0.620" | 41.2 |

1. Flow coefficient data calculated using methods described in Crane Technical Paper TP-410.

Materials of Construction

| Item | Qty | Part | Material |
|------|-----|-------------|--------------------|
| A | 1 | HANDLE | GLASS FILLED NYLON |
| B | 1 | BODY NUT | SS |
| C | 1 | STEM NUT | 316 SS |
| D | 2 | STEM WASHER | SS |
| E | 3 | PACKING | PTFE |
| F | 1 | STEM | 316 SS |
| G | 1 | BODY | ASTM A351-CF8M |
| H | 2 | SEAT | TFM™ 1600 PTFE* |
| I | 1 | BALL | CF8M / 316 SS |
| J | 1 | GASKET | PTFE |
| K | 1 | ENDCAP | 316 SS |

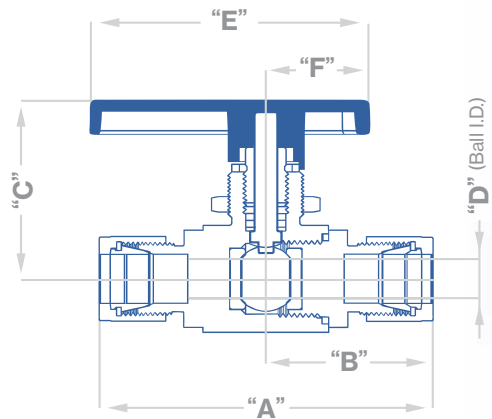
SS = Stainless Steel

* Dyneon and TFM are trademarks of Dyneon

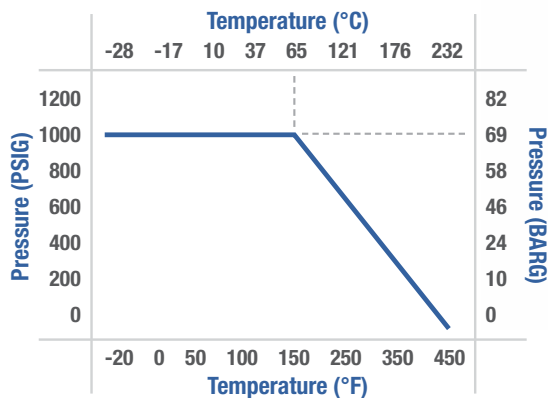
Dimensions Listed as Millimeters*

| Size | "A" | "B" | "C" | "D" | "E" | "F" |
|------|------|------|------|------|------|------|
| 1/4" | 67.0 | 33.5 | 42.0 | 5.0 | 49.4 | 18.5 |
| 3/8" | 77.2 | 38.6 | 45.0 | 7.8 | 59.5 | 24.5 |
| 1/2" | 87.4 | 43.7 | 47.2 | 10.3 | 74.3 | 27.9 |
| 3/4" | 98.0 | 49.0 | 48.2 | 12.0 | 74.3 | 27.9 |

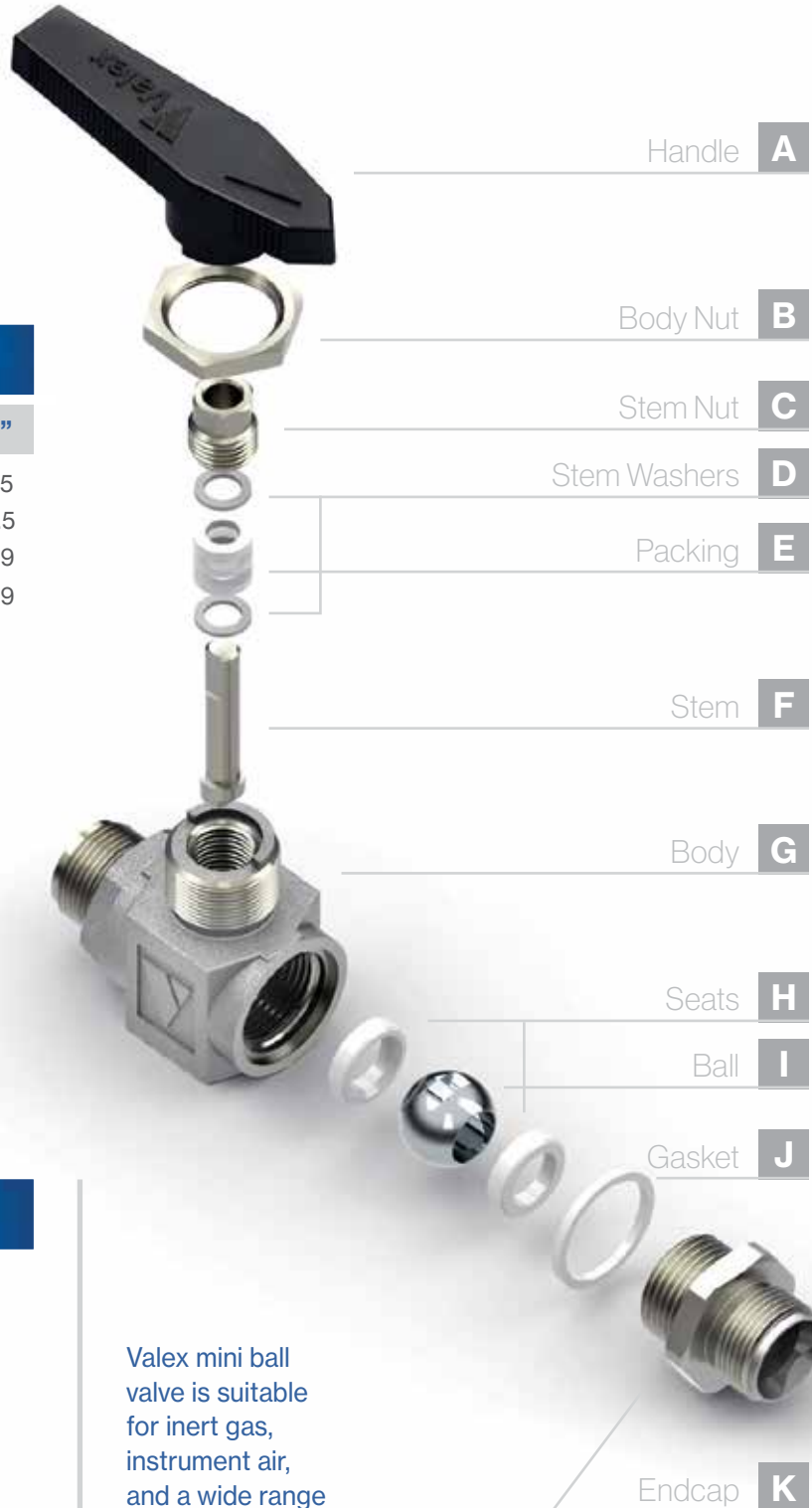
* Dimensions are applicable to compression fitting inlet and outlet (CC) configuration. Dimensions are approximate, may vary from valve to valve, and assumes compression nuts are finger tight.



Pressure Temperature Rating



Mini Ball Valve



Valex mini ball valve is suitable for inert gas, instrument air, and a wide range of industrial high purity applications.



Ordering Information

M - S T R 0 8 C C X X X X

M

Valve Series

M = Mini Ball Valve

X | X

Branch Valve Size

XX = No Branch Valve(s)

S | T | R

Assembly Pattern

STR = Straight

X | X

Connection

On Branch Valve(s)

XX = No Branch Valve(s)

0 | 8

Main Line Size

04 = 1/4"

06 = 3/8"

08 = 1/2"

12 = 3/4"

(Optional)

Valve Lockout Device

Blank = No Lockout Device Installed

L = Lockout Device Installed

C | C

Main Line End Connection

CC = Compression Fitting Inlet & Outlet

CP = Compression Fitting Inlet, Compression Fitting Outlet w/ Plug

Valex



www.valex.com

Valex Corporate Offices & Manufacturing

Valex USA Corporate Headquarters

6080 Leland Street
Ventura, CA 93003
United States of America
Phone: 805-658-0944

Valex USA Round Rock, TX

120 E. Old Settlers Blvd.
Round Rock, TX 78664
United States of America
Phone: 512-212-8100

Valex Korea

32 Hansan-gil, Cheongbuk-eup
Pyeongtaek-si, Gyeonggi-do
Republic of Korea
Phone: 82-31-683-0119

Valex China

No. 358 Zhonggang Road
Xitangqiao Street
Haiyan Economic Development Zone
Zhejiang Province, P.R. China 314305
Phone: 86-573-86868221