



Stainless Steel **Tube, Pipe**
& **Fittings**





One Trusted Source - Worldwide

If ever there were industries with a low tolerance for imperfection, these would be our industries. As manufacturing processes grow more precise, our customers' needs for stainless steel piping systems evolve to ever more demanding levels of cleanliness, leak integrity, corrosion resistance, and surface finish. A consistent and reliable source for the highest quality components and assemblies is essential for success.

For over four decades, Valex has been the leading manufacturer of stainless steel tube, fittings, valves, and assemblies that allow our customers to meet their construction schedules and yield goals. Along the way, we've introduced the most important advances in fittings design, electropolishing, precision cleaning, and custom fabrications. With various manufacturing plants, each strategically located in major markets, Valex offers the largest capacity of any supplier. We are the only manufacturer of the full size range of products used by global customers - inch, NPS, and JIS sizes - all under Valex control.

Our unrivaled experience, in-house capacity, unmatched product breadth, and singular focus on only the most demanding industries have led customers around the world to the same conclusion - Valex is their **one trusted source**.



Contents

Table of

Product Lines	
Valex Product Line Specifications.....	4
Electropolishing	
Electropolishing Process	15
Quality	
Quality Assurance & Testing Capability.....	16
Process	
Production Process	17
Tube & Pipe	
Dimensional Charts.....	22
Elbows	
Dimensional Charts.....	27
Tees	
Dimensional Charts.....	38
Crosses	
Dimensional Charts.....	54
Reducers	
Dimensional Charts.....	56
End Caps	
Dimensional Charts.....	71
Stub Ends	
Dimensional Charts.....	74
Flanges	
Dimensional Charts.....	79
Coaxial Tube, Pipe & Fittings	
Usage Information & Dimensional Charts.....	89
Ordering Information	
For All Vallex Product Lines.....	106

* Dimensional charts are subject to change. For the most up-to-date information and additional sizes not listed, please visit Valex.com or contact your local Vallex representative.

Product Lines

Ultra High Purity,
Electropolished

- 401
- 301
- LDEP

Cleaned for
Oxygen Service

- 201
- 101
- CFOS

V22® Alloy (N06022)

- 444
- 222

444

LDEP

CFOS

301

401

201

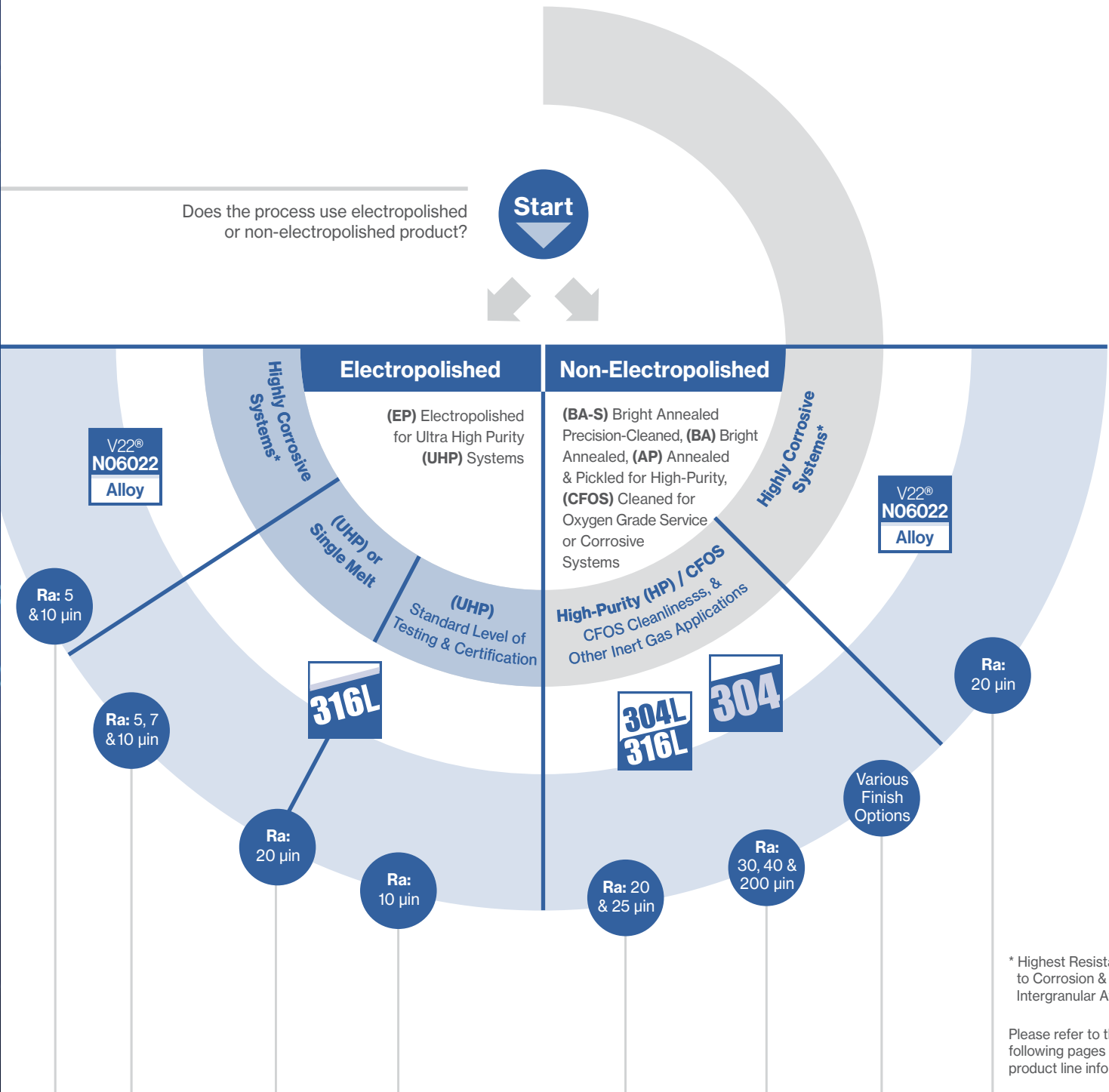
101

222

Product Line Selector

Does the process use electropolished or non-electropolished product?

Start



* Highest Resistance to Corrosion & Intergranular Attack

Please refer to the following pages for additional product line information.

444 401 LDEP 301 201 101 CFOS 222 Product Lines

EP Finish

BA-S Finish

BA & AP Finish

BA-S Finish



401

EP Product Line

Valex Specification SP-9220

Applications

Ultra High Purity Systems requiring the highest grade of materials and certifications, Electropolished

Alloy

316L Stainless steel, single-melt or double-melt (seamless or welded, depending on size)

Sizes

ASTM Tube: 1/8" to 6"

ASTM Fittings: 1/4" to 6"

JIS Pipe: 8A to 300A

I.D. Surface Finish Options

A5: 5 µin Ra max

A7: 7 µin Ra max

B0: 10 µin Ra max

C0: 10 µin Ra

Tolerances

In accordance with ASTM: A 269 & A 632

JIS: G 3459 & G 3468

Weld Ends

Tube: Square ends suitable for orbital welding

Pipe: Square or beveled end options

Testing & Inspection

- Visual inspection
- Surface roughness measurement
- Helium-leak testing
- Scanning Electron Microscopy (SEM)

- Auger Electron Microscopy (AES)
- Election Spectroscopy for Chemical Analysis (ESCA or XPS)
- Particle testing
- Moisture testing

Marking & Traceability

Each component is traceable to its producing mill and heat by an identification number marked within 24" (610mm) of one end.

Labeling

Each component's bag is affixed with a label identifying the component's part number, date and Valox lot number.

Documentation

A quality inspection certificate is furnished with each shipment. The report contains the following information:

- Material composition & applicable specification designation
- Nominal outside diameter size
- Chemical composition
- Statement of quality assurance testing
- Inspection Certificate type 3.1 per EN 10204:2004
- Lot & heat identification for traceability

Packaging

All components are purged with UHP Nitrogen gas, capped, double-bagged and packaged for shipment in a cleanroom.

301

EP Product Line

Valex Specification SP-9223**Applications**

Ultra High Purity Systems, Electropolished

Alloy

316L Stainless steel, single-melt
(seamless or welded, depending on size)

Sizes

ASTM Tube: 1/8" to 6"

I.D. Surface Finish

10 µin Ra

Tolerances

In accordance with ASTM: A 269 & A 632

Weld Ends

Square ends are suitable for orbital welding

Testing & Inspection

- Visual inspection
- Surface roughness measurement
- Dimensional inspection

Marking & Traceability

Each component is traceable to its producing mill and heat by an identification number marked within 24" (610mm) of one end.

Labeling

Each component's bag is affixed with a label identifying the component's part number, date and Valex lot number.

Documentation

A quality inspection certificate is furnished with each shipment. The report contains the following information:

- Material composition & applicable specification designation
- Nominal outside diameter size
- Chemical composition
- Statement of quality assurance testing
- Inspection Certificate type 3.1 per EN 10204:2004
- Lot & heat identification for traceability

Packaging

All components are purged with UHP Nitrogen gas, capped, double-bagged and packaged for shipment in a cleanroom.



LDEP

EP Product Line

Valex Specification SP-9235

Applications

Ultra High Purity Systems, Electropolished

Alloy

316L Stainless steel, single-melt
(seamless or welded, depending on size)

Sizes

JIS Pipe: 25A to 800A
ASTM/ASME Pipe: NPS 2 to NPS 24

I.D. Surface Finish

20 μin Ra average, 25 μin Ra max

Tolerances

In accordance with applicable ASTM, ASME & JIS specifications

Weld Ends

Square or beveled end options

Testing & Inspection

- Visual inspection
- Surface roughness measurement
- Helium-leak testing
- Scanning Electron Microscopy (SEM)
- Auger Electron Microscopy (AES)

Marking & Traceability

Each component is traceable to its producing mill and heat by an identification number marked within 24" (610mm) of one end.

Labeling

Each component's bag is affixed with a label identifying the component's part number, date and Vallex lot number.

Documentation

A quality inspection certificate is furnished with each shipment. The report contains the following information:

- Material composition & applicable specification designation
- Nominal outside diameter size
- Chemical composition
- Statement of quality assurance testing
- Inspection Certificate type 3.1 per EN 10204:2004
- Lot & heat identification for traceability

Packaging

All components are capped, bagged and packaged for shipment in a cleanroom.



201

BA-S Product Line

Valex Specification SP-9206**Applications**

High-Purity Systems

Alloy

316L, 304L, or 304 Stainless steel, single-melt (seamless or welded, depending on size)

Sizes

ASTM Tube: 1/8" to 6"

ASTM Fittings: 1/4" to 6"

JIS Pipe & Fittings: 15A to 600A

I.D. Surface Finish

ASTM Tube: 25 µin Ra max

ASTM Tube Fittings: 20 µin Ra max

JIS Pipe: 25 µin Ra max

JIS Pipe Fittings: 25 µin Ra max

Tolerances

In accordance with ASTM: A 269 & A 632

JIS: G 3459 & G 3468

Weld Ends

Tube: Square ends suitable for orbital welding

Pipe: Square or beveled end options

Testing & Inspection

- Visual inspection
- Surface roughness measurement

- Helium-leak testing
- Dimensional inspection

Marking & Traceability

Each component is traceable to its producing mill and heat by an identification number marked within 24" (610mm) of one end.

Labeling

Each component's bag is affixed with a label identifying the component's part number, date and Valex lot number.

Documentation

A quality inspection certificate is furnished with each shipment. The report contains the following information:

- Material composition & applicable specification designation
- Nominal outside diameter size
- Chemical composition
- Statement of quality assurance testing
- Inspection Certificate type 3.1 per EN 10204:2004
- Lot & heat identification for traceability

Packaging

All components are capped, bagged and packaged for shipment in a cleanroom.



101

BA Product Line

Valex Specification SP-9204

Applications

High-Purity Systems

Alloy

316L, 304L, or 304 Stainless steel, single-melt (seamless or welded, depending on size)

Sizes

ASTM Tube: $\frac{1}{8}$ " to 6"

JIS Pipe: 15A to 800A

I.D. Surface Finish

ASTM Tube: $\frac{1}{8}$ " to 4" = 30 $\mu\text{in Ra}$
6" = 200 $\mu\text{in Ra}$

JIS Pipe: 15A to 100A = 40 $\mu\text{in Ra}$
125A to 800A = 200 $\mu\text{in Ra}$

Tolerances

In accordance with ASTM: A 269 & A 632,
JIS: G 3459 & G 3468

Weld Ends

Tube: Square ends suitable for orbital welding

Pipe: Square or beveled end options

Testing & Inspection

- Visual inspection
- Surface roughness measurement
- Dimensional inspection

Marking & Traceability

Each component is traceable to its producing mill and heat by an identification number marked within 24" (610mm) of one end.

Labeling

Each component's bag is affixed with a label identifying the component's part number, date and Vallex lot number.

Documentation

A quality inspection certificate is furnished with each shipment. The report contains the following information:

- Material composition & applicable specification designation
- Nominal outside diameter size
- Chemical composition
- Statement of quality assurance testing
- Inspection Certificate type 3.1 per EN 10204:2004
- Lot & heat identification for traceability

Packaging

All components are capped, bagged and packaged for shipment.



CFOS

BA Product Line

Valex Specification SP-9234

Applications

High Purity Systems

Alloy

316L, 304L, or 304 Stainless steel, single-melt (seamless or welded, depending on size)

Sizes

ASTM Tube & Fittings: 1/4" to 6"

JIS Pipe: 25A to 800A

JIS Fittings: 15A to 800A

ASTM/ASME Pipe: NPS 2 to NPS 30

ASTM/ASME Fittings: NPS 1/2 to NPS 24

I.D. Surface Finish Options

AP: Annealed & pickled

ID40: 40 µin Ra Internal finish

IDMP: 200 µin Ra max internal finish

BA: Bright annealed

BA40: Bright annealed with 40 µin Ra internal finish

Tolerances

In accordance with ASTM, ASME & JIS specifications

Weld Ends

Tube: Square ends suitable for orbital welding

Pipe: Square or beveled end options

Testing & Inspection

- Visual inspection

- Surface roughness measurement
- Dimensional inspection

Marking & Traceability

Each component is traceable to its producing mill and heat by an identification number marked within 24" (610mm) of one end.

Labeling

Each component's bag is affixed with a label identifying the component's part number, date and Valox lot number.

Documentation

A quality inspection certificate is furnished with each shipment. The report contains the following information:

- Material composition & applicable specification designation
- Nominal outside diameter size
- Chemical composition
- Statement of quality assurance testing
- Inspection Certificate type 3.1 per EN 10204:2004
- Lot & heat identification for traceability

Packaging

Packaged for shipment in such a manner, which prevents damage to product and primary product packaging.

444

EP Product Line

Valex Specification SP-9241

Applications

Ultra High Purity Systems in Extremely Corrosive Applications, Electropolished

Alloy

Nickel-Chromium-Molybdenum-Tungsten Alloy V22® (UNS Designation N06022)¹

Sizes

ASTM Tube Segments: 1/4" to 3/4"

I.D. Surface Finish

5 µin Ra

10 µin Ra

Tolerances

Outside diameter: ±.005"

Wall thickness: ±12.5% / -25%

Weld Ends

Square ends suitable for orbital welding

Testing & Inspection

- Visual inspection
- Surface roughness measurement
- Dimensional inspection

Marking & Traceability

Each component is traceable to its producing mill and heat by an identification number marked on the tube segment length.

Labeling

Each component's bag is affixed with a label identifying the component's part number, date and Valox lot number.

Documentation

A quality inspection certificate is furnished with each shipment. The report contains the following information:

- Material composition & applicable specification designation
- Nominal outside diameter size
- Chemical composition
- Statement of quality assurance testing
- Inspection Certificate type 3.1 per EN 10204:2004
- Lot & heat identification for traceability

Packaging

All components are purged with UHP Nitrogen gas, capped, bagged and packaged for shipment in a cleanroom.

¹ Haynes Hastelloy® C-22® is available upon request. Hastelloy and C-22 are registered trademarks of Haynes International Inc.

222
BA Product Line**Valex Specification SP-9207****Applications**

Extremely corrosive systems

Alloy

Nickel-Chromium-Molybdenum-Tungsten Alloy
V22® (UNS Designation N06022)¹

Sizes

ASTM Tube: 1/4" to 3/4"

I.D. Surface Finish

20 µin Ra max

Tolerances

Outside diameter: ±.005"

Wall thickness: ±12.5%

Weld Ends

Square ends suitable for orbital welding

Testing & Inspection

- Visual inspection
- Surface roughness measurement
- Fittings leak test
- Dimensional inspection

Marking & Traceability

Each component is traceable to its producing mill and heat by an identification number marked within 24" (610mm) of one end.

Labeling

Each component's bag is affixed with a label identifying the component's part number, date and Valex lot number.

Documentation

A quality inspection certificate is furnished with each shipment. The report contains the following information:

- Material composition & applicable specification designation
- Nominal outside diameter size
- Chemical composition
- Statement of quality assurance testing
- Inspection Certificate type 3.1 per EN 10204:2004
- Lot & heat identification for traceability

Packaging

All components are purged with UHP Nitrogen gas, capped, bagged and packaged for shipment.

¹ Haynes Hastelloy® C-22® is available upon request.
Hastelloy and C-22 are registered trademarks of Haynes International Inc.

Coaxial

EP, BA-S & BA Product Line



Valex Specification SP-9222

Applications

Contingent upon customers specifications

Alloy

316L, 304L, or 304 Stainless steel,
(Tubing & sleeves are seamless or welded,
depending on customers specifications)

Sizes

ASTM .250" to .750"
Tube: .750" to 2.50"
JIS 10A to 32A
Pipe: 25A to 40A

I.D. Surface Finish Options

A5: 5 μ m Ra max B0: 10 μ m Ra max
A7: 7 μ m Ra max C0: 10 μ m Ra

Tolerances

In accordance with ASTM: A 269 & A 632
& JIS: G 3459

Weld Ends

Square ends suitable for orbital welding

Testing & Inspection

Outer Tube:

- Visual Inspection
- Dimensional Inspection
- Outer Tube Leak Testing

Inner Tube:

- Per Valox Specification: SP-9204, SP-9206, SP-9207, SP-9220, or SP-9223

Marking & Traceability

Each component is traceable to its producing mill and heat by an identification number.

Labeling

Each component's bag is affixed with a label identifying the component's part number, date and Valox lot number.

Documentation

A quality inspection certificate for the inner tube is furnished with each shipment. The report contains the following information:

- Material composition & applicable specification designation
- Nominal outside diameter size
- Chemical composition
- Statement of quality assurance testing
- Inspection Certificate type 3.1 per EN 10204:2004
- Lot & heat identification for traceability

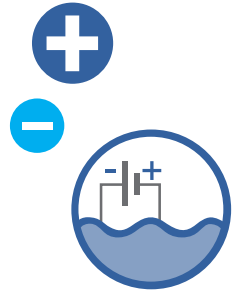
Packaging

Assembled product packaged per applicable specification.

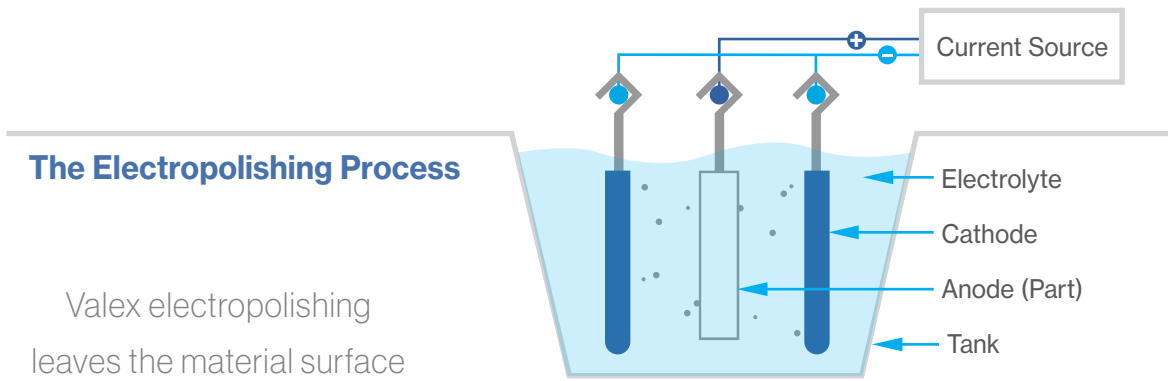
Smoothing Out the Peaks & Valleys

When the highest levels of purity, corrosion resistance, and overall performance are required, customers select Valex UHP electropolished (EP) products. Under magnification, raw material surfaces appear rough, and composed of many “peaks and valleys”. During our EP process, surface metal is removed ion-by-ion, at an electron-microscopic level. Parts are subjected to an electrolytic solution and current, where surface material is selectively dissolved, more aggressively at the peaks than the valleys, smoothing out these undulations. The result is a micro-smooth and contaminant-free surface.

Electropolished surfaces benefit from increased corrosion resistance, and improved surface finish, resulting in increased production yields at customer sites. Our EP processes have been refined and tuned over multiple decades, to produce the most uniform, repeatable finishes – that are universally accepted as the gold-standard for which to compare.



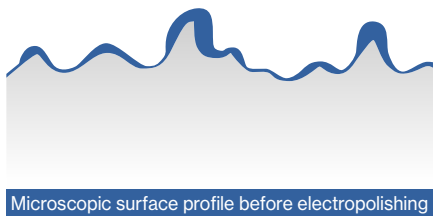
Electropolishing



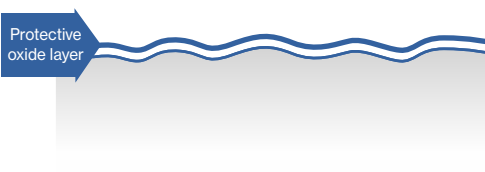
The Electropolishing Process

Valex electropolishing leaves the material surface microscopically smooth & essentially featureless.

Peaks are more aggressively removed due to higher current density

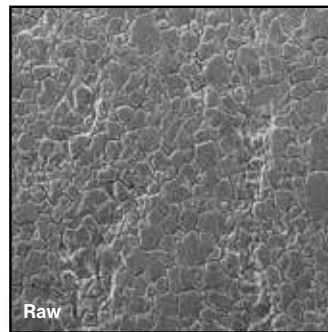


Microscopic surface profile before electropolishing



Microscopic surface profile after electropolishing

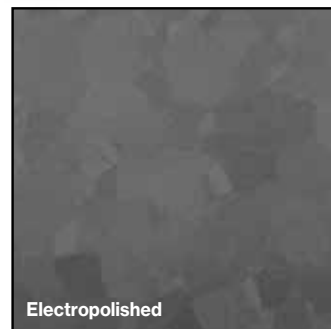
SEM photos at 500X magnification



Raw



Mechanically Polished



Electropolished

Quality



Tested Beyond the Standard

Product testing and certification are in strict accordance with industry-leading Valex specifications. Going well beyond our own requirements, we have brought sophisticated testing technology in-house, including Scanning Electron Microscope (SEM), and Electron Spectroscopy for Chemical Analysis (ESCA), to assure electropolish quality. Additionally X-Ray Fluorescence (XRF), and Optical Emission Spectroscopy (OES), verify metallurgical integrity and elemental composition of our alloys. These, and many other steps unique to us, add unmatched levels of control that assure Valex products not only meet, but exceed specifications and customer expectations.

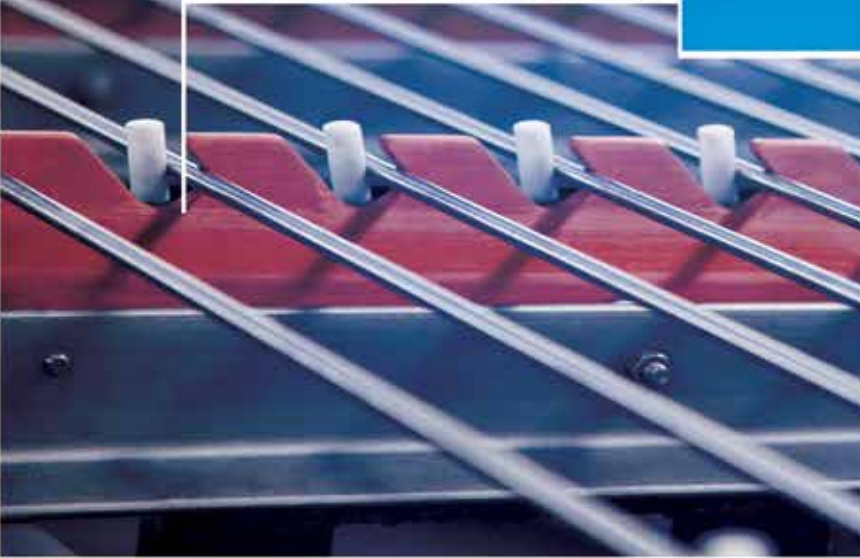


Process

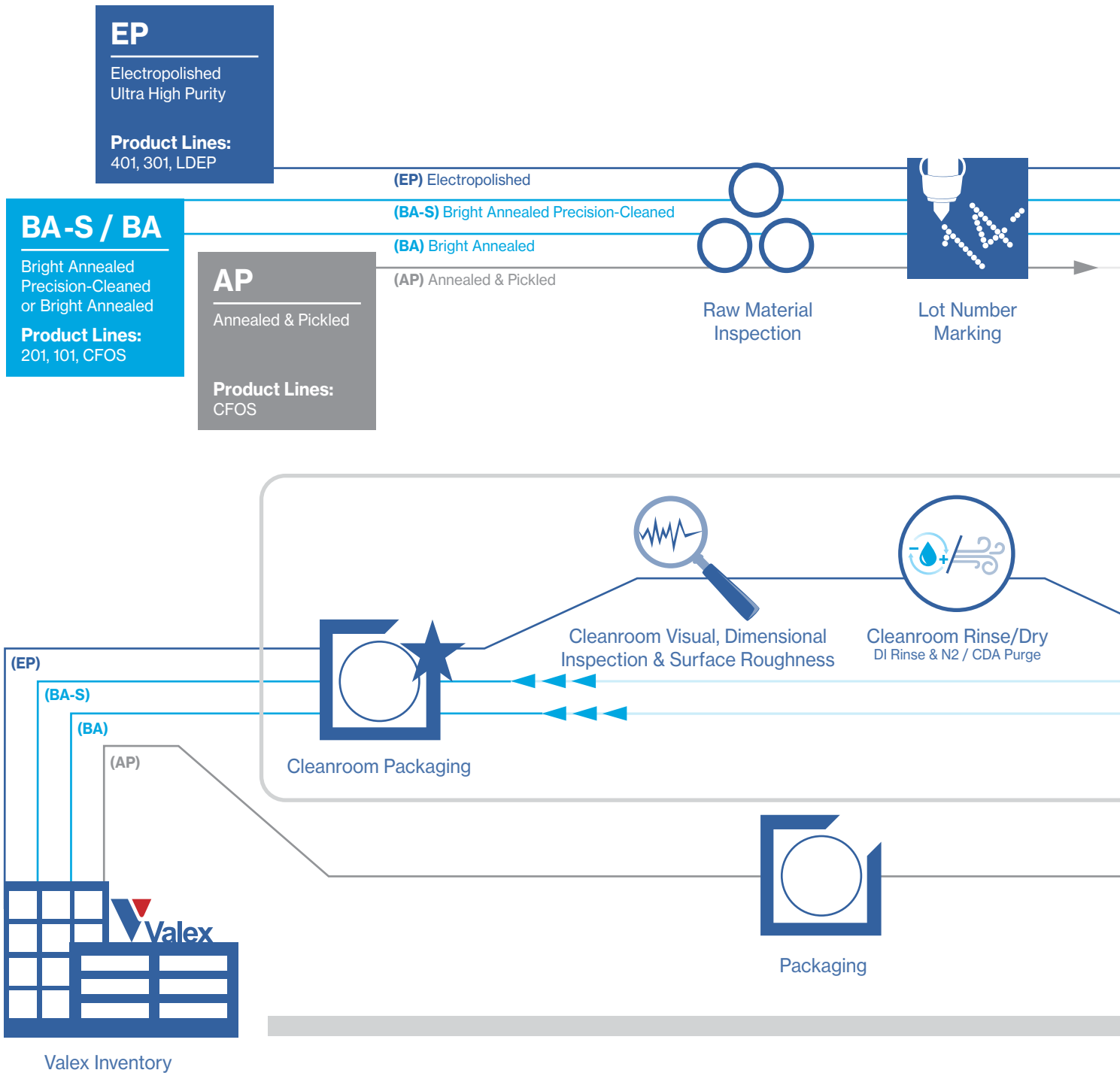
Processed for Success

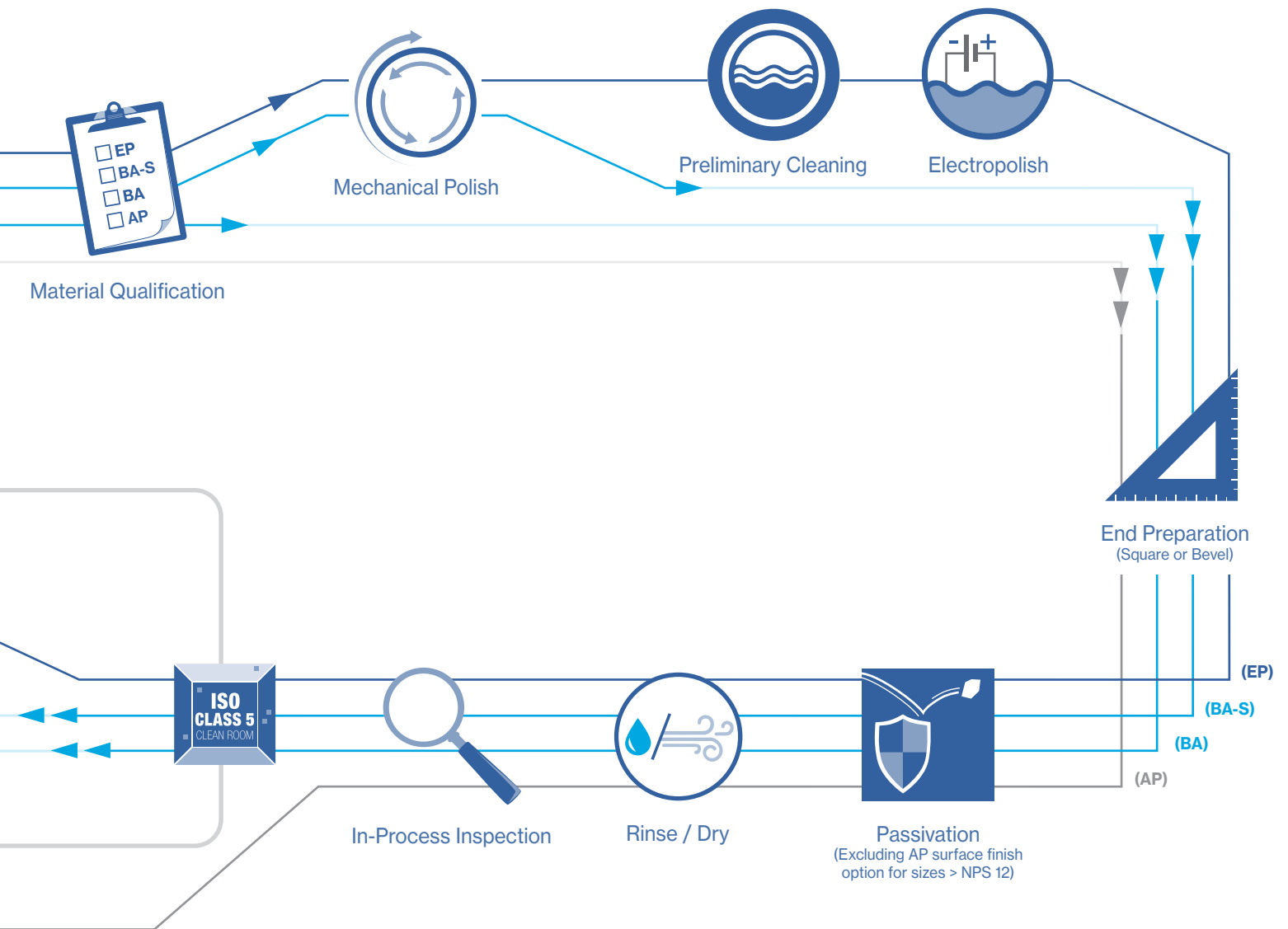
Continued refinement and advancement is the inevitable progression for Valex-designed manufacturing equipment and processes. Over the years, these developments have resulted in the largest range of choice for size and surface finish options of ASTM, ASME, and JIS components available to our customers.

All of our products conform to identical Valex specifications, using the same proven processes and equipment at each of our three manufacturing facilities. Each facility consistently manufactures product exceeding performance requirements, while creating and maintaining Ultra High Purity using ISO Class 5 clean rooms with semiconductor-quality deionized water and nitrogen – assuring the highest levels of product integrity and performance.

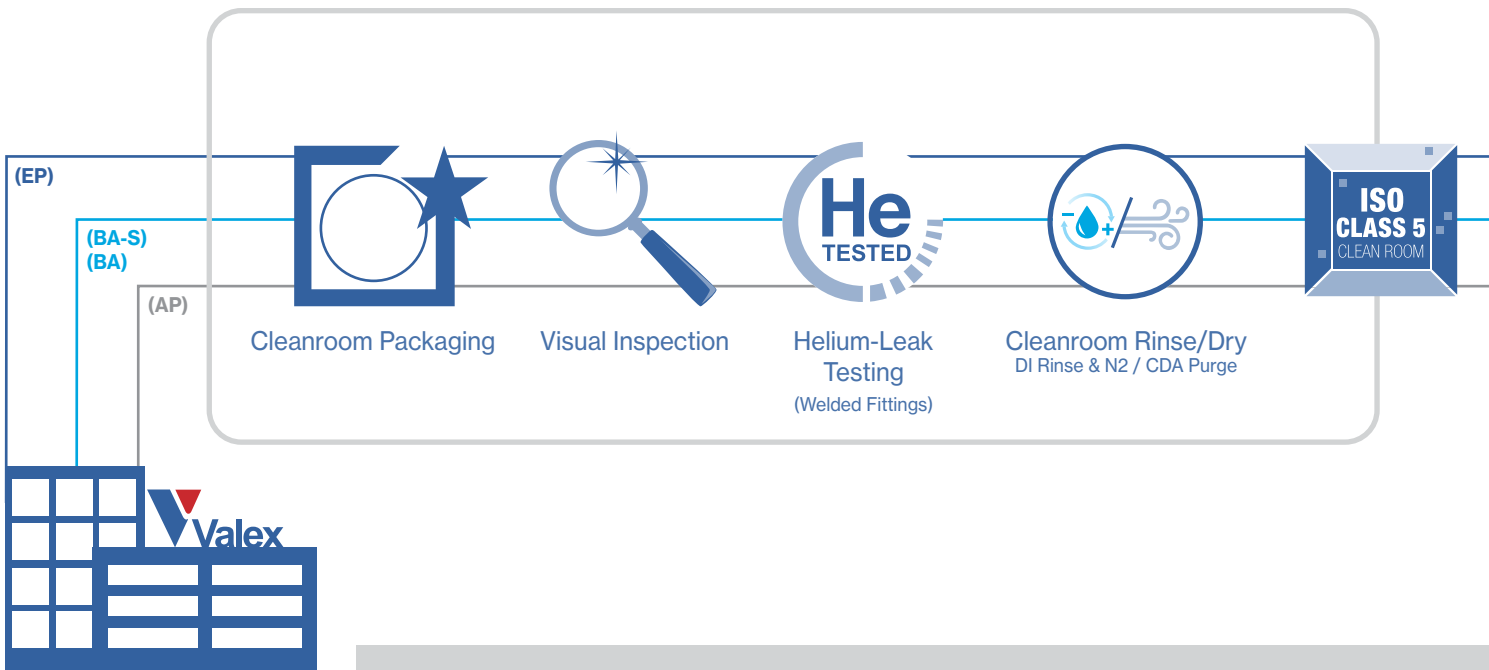
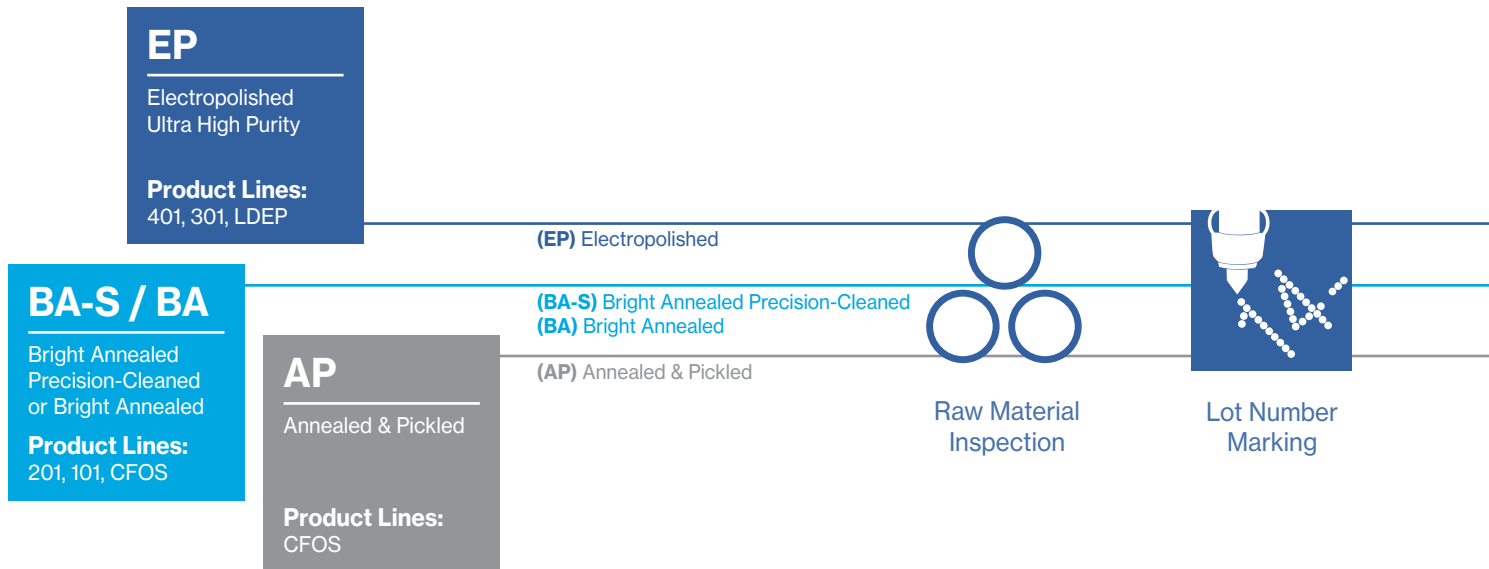


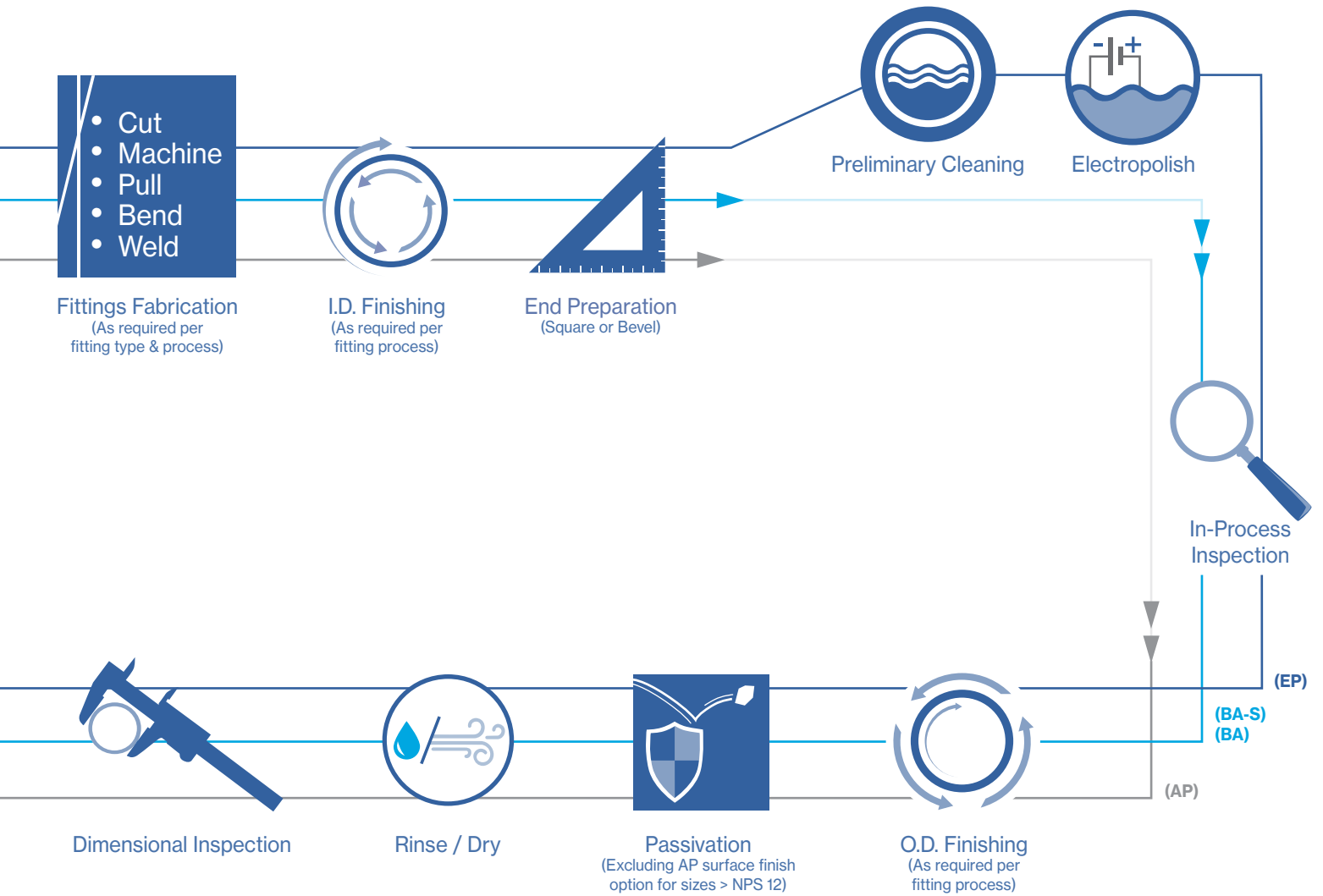
Tube & Pipe Process





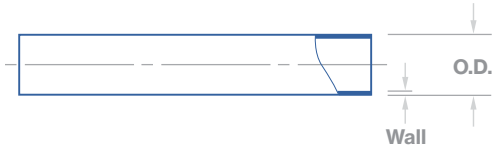
Fittings Process





Tube & Pipe





Tube

ASTM A269 / A632

Product Lines				
401 (EP)	301 (EP)	201 (BA-S)	101 (BA-S)	CFOS (BA/AP)
●	●	●	●	
●	●	●	●	●
●	●	●	●	●
●	●	●	●	●
●	●	●	●	●
●	●	●	●	●
●	●	●	●	●
●	●	●	●	●
●	●	●	●	●
●	●	●	●	●
●	●	●	●	●
●	●	●	●	●
●	●	●	●	●
●	●	●	●	●
●	●	●	●	●

Dimensions in Inches							
Size	O.D.	Wall	Weight per foot (lbs.)	Maximum Safe Working Pressure*			
				PSI Seamless	PSI Welded	Bar Seamless	Bar Welded
1/8"	.125	.028	.03	7,805	N/A	538	N/A
1/4"	.250	.035	.08	4,598	N/A	317	N/A
1/4"	.250	.039	.09	5,189	N/A	358	N/A
3/8"	.375	.035	.13	2,974	N/A	205	N/A
3/8"	.375	.039	.14	3,341	N/A	230	N/A
1/2"	.500	.049	.24	3,136	2,209	216	173
3/4"	.750	.065	.48	2,759	2,207	190	152
1"	1.000	.065	.65	2,039	1,631	141	113
1-1/2"	1.500	.065	1.00	1,340	1,072	92	74
2"	2.000	.065	1.35	995	796	69	55
2-1/2"	2.500	.065	1.70	793	635	55	44
3"	3.000	.065	2.05	659	528	45	36
4"	4.000	.083	3.49	631	505	44	35
6"	6.000	.109	6.90	551	440	38	30

* Gauge pressure is listed.

Notes:

- Maximum safe working pressure is calculated per ASME B 31.3-2020, paragraph 304.1.2 (formula 3a). Calculations assume maximum allowable O.D. and minimum allowable wall thickness (worst case scenario).
- Material: TP 304L or TP 316L per ASTM A269 and A632.
- Temperature range used for above calculations is -20°F to 300°F, -28.8°C to 148.9°C. For recommended working pressures higher than 300°F (148.9°C), please consult factory.

Tube

V22® Alloy (N06022)²

Product Lines	
444 (EP)	222 (BA-S)
●	●
●	●
●	●
●	●

Dimensions in Inches							
Size	O.D.	Wall	Weight per foot (lbs.)	Maximum Safe Working Pressure*			
				PSI Seamless	PSI Welded	Bar Seamless	Bar Welded
1/4"	.250	.035	.08	7,972	N/A	550	N/A
3/8"	.375	.035	.13	5,169	N/A	356	N/A
1/2"	.500	.049	.24	5,465	N/A	377	N/A
3/4"	.750	.065	.48	4,810	N/A	332	N/A

* Gauge pressure is listed.

Notes:

- Maximum safe working pressure is calculated per ASME B 31.3-2020, paragraph 304.1.2 (formula 3a). Calculations assume maximum allowable O.D. and minimum allowable wall thickness (worst case scenario).
- Material: Haynes Hastelloy® C-22® is available upon request. Hastelloy and C-22 are registered trademarks of Haynes International Inc.
- Temperature range used for above calculations is -20°F to 300°F, -28.8°C to 148.9°C. For recommended working pressures higher than 300°F (148.9°C), please consult factory.

Pipe

ASTM A312, Schedule 10S



Product Lines		Dimensions in Inches								
LDEP (EP)	CFOS (BA/AP)	Size	Sch.	O.D.	Wall	Weight per foot (lb.)	Maximum Safe Working Pressure*			
							PSI Seamless	PSI Welded	Bar Seamless	Bar Welded
●	●	NPS 2	10S	2.375	.109	2.66	1,367	1,094	94	75
●	●	NPS 2-1/2	10S	2.875	.120	3.56	1,243	994	86	69
●	●	NPS 3	10S	3.500	.120	4.36	1,017	814	70	56
●	●	NPS 3-1/2	10S	4.000	.120	5.01	888	711	61	49
●	●	NPS 4	10S	4.500	.120	5.66	789	631	54	44
●	●	NPS 5	10S	5.563	.134	7.83	708	566	49	39
●	●	NPS 6	10S	6.625	.134	9.36	594	475	41	33
●	●	NPS 8	10S	8.625	.148	13.50	504	403	35	28
●	●	NPS 10	10S	10.750	.165	18.79	449	360	31	25
●	●	NPS 12	10S	12.750	.180	24.34	414	331	29	23
●	●	NPS 14	10S	14.000	.188	27.94	394	315	27	22
●	●	NPS 16	10S	16.000	.188	31.98	344	275	24	19
●	●	NPS 18	10S	18.000	.188	36.03	306	245	21	17
●	●	NPS 20	10S	20.000	.218	46.40	N/A	255	N/A	18
●	●	NPS 22	10S	22.000	.218	51.09	N/A	232	N/A	16
●	●	NPS 24	10S	24.000	.250	63.88	N/A	244	N/A	17
●	●	NPS 30	10S	30.000	.312	99.66	N/A	244	N/A	17

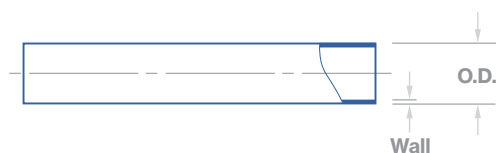
* Gauge pressure is listed.

Notes:

1. Maximum safe working pressure is calculated, per ASME B31.3-2020, paragraph 304.1.2. Calculations assume maximum allowable O.D. and minimum allowable wall thickness (worst case scenario).
2. Material: TP304, TP 304L or TP 316L per ASTM A312
3. Temperature range used for above calculations is -20°F to 300°F, -28.8°C to 148.9°C. For recommended working pressures higher than 300°F (148.9°C), please consult factory.

Pipe

ASTM A312, Schedule 40S

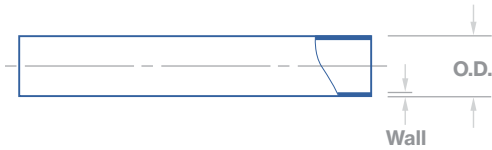


Product Lines		Dimensions in Inches						
LDEP (EP)	CFOS (BA/AP)	Size	Sch.	O.D.	Wall	Weight per foot (lb.)	Maximum Safe Working Pressure*	
							PSI Welded	Bar Welded
●	●	NPS 12	40S	12.750	.375	49.93	697	48
●	●	NPS 14	40S	14.000	.375	54.97	634	44
●	●	NPS 16	40S	16.000	.375	63.04	554	38
●	●	NPS 18	40S	18.000	.375	71.11	492	34
●	●	NPS 20	40S	20.000	.375	79.18	441	30
●	●	NPS 24	40S	24.000	.375	95.32	367	25

* Gauge pressure is listed.

Notes:

1. Maximum safe working pressure is calculated, per ASME B31.3-2020, paragraph 304.1.2. Calculations assume maximum allowable O.D. and minimum allowable wall thickness (worst case scenario).
2. Material: TP304, TP 304L or TP 316L per ASTM A312
3. Temperature range used for above calculations is -20°F to 300°F, -28.8°C to 148.9°C. For recommended working pressures higher than 300°F (148.9°C), please consult factory.



Pipe

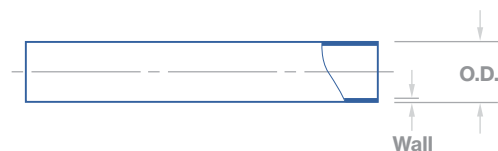
JIS G3459 / G3468, Schedule 5S

Product Lines					Dimensions in Millimeters											
401 (EP)	LDEP (EP)	201 (BA-S)	101 (BA-S)	CFOS (BA/AP)	Size	Sch.	O.D.	Wall	Weight per meter (kg.)	Maximum Safe Working Pressure*						
									kg/cm ² Seamless		kg/cm ² Welded		MPa Seamless		MPa Welded	
●					8A	5S	13.8	1.20	.38	176.54	141.25	17.3	13.9			
●					10A	5S	17.3	1.20	.48	139.77	111.79	13.7	11.0			
●		●	●		15A	5S	21.7	1.65	.82	163.39	130.70	16.0	12.8			
●		●	●		20A	5S	27.2	1.65	1.05	129.29	103.42	12.7	10.1			
●	●	●	●	●	25A	5S	34.0	1.65	1.32	102.65	82.12	10.1	8.1			
●	●	●	●	●	32A	5S	42.7	1.65	1.68	81.13	64.89	8.0	6.4			
●	●	●	●	●	40A	5S	48.6	1.65	1.92	71.08	56.81	7.0	5.6			
●	●	●	●	●	50A	5S	60.5	1.65	2.41	56.81	45.42	5.6	4.5			
●	●	●	●	●	65A	5S	76.3	2.10	3.87	58.78	46.97	5.8	4.6			
●	●	●	●	●	80A	5S	89.1	2.10	4.53	50.13	40.15	4.9	3.9			
●	●	●	●	●	90A	5S	101.6	2.10	5.19	43.87	35.08	4.3	3.4			
●	●	●	●	●	100A	5S	114.3	2.10	5.85	38.95	31.15	3.8	3.1			
●	●	●	●	●	125A	5S	139.8	2.80	9.52	42.54	34.03	4.2	3.3			
●	●	●	●	●	150A	5S	165.2	2.80	11.29	35.93	28.69	3.5	2.8			
●	●	●	●	●	200A	5S	216.3	2.80	14.84	27.35	21.87	2.7	2.1			
●	●	●	●	●	250A	5S	267.4	3.40	22.28	26.86	21.51	2.6	2.1			
●	●	●	●	●	300A	5S	318.5	4.00	31.22	26.51	21.23	2.6	2.1			
	●	●	●	●	350A	5S	355.6	4.00	34.90	N/A	18.56	N/A	1.8			
	●	●	●	●	400A	5S	406.4	4.50	44.89	N/A	18.28	N/A	1.8			
	●	●	●	●	450A	5S	457.2	4.50	50.56	N/A	16.24	N/A	1.6			
	●	●	●	●	500A	5S	508.0	5.00	62.42	N/A	16.24	N/A	1.6			
	●	●	●	●	550A	5S	558.8	5.00	68.72	N/A	14.69	N/A	1.4			
	●	●	●	●	600A	5S	609.6	5.50	82.46	N/A	14.83	N/A	1.5			
				●	650A	5S	660.4	5.50	89.40	N/A	13.71	N/A	1.3			
				●	700A	5S	711.2	5.50	96.33	N/A	12.73	N/A	1.2			
				●	750A	5S	762.0	6.50	121.88	N/A	14.06	N/A	1.4			

* Gauge pressure is listed.

Notes:

1. Maximum safe working pressure is calculated, per ASME B31.3-2020, paragraph 304.1.2. Calculations assume maximum allowable O.D. and minimum allowable wall thickness (worst case scenario).
2. Material: SUS 304LTP or SUS 316LTP per JIS G3459, and SUS 304 LTPY, SUS 316 LTPY per JIS G3468
3. Temperature range used for above calculations is -20°F to 300°F, -28.8°C to 148.9°C. For recommended working pressures higher than 300°F (148.9°C), please consult factory.



Pipe

JIS G3459 / G3468, Schedule 10S

Product Lines					Dimensions in Millimeters								
401 (EP)	LDEP (EP)	201 (BA-S)	101 (BA-S)	CFOS (BA/AP)	Size	Sch.	O.D.	Wall	Weight per meter (kg.)	Maximum Safe Working Pressure*			
										kg/cm ² Seamless	kg/cm ² Welded	MPa Seamless	MPa Welded
●					8A	10S	13.8	1.65	.50	263.16	210.50	25.8	20.6
●					10A	10S	17.3	1.65	.64	207.12	165.71	20.3	16.3
●		●	●		15A	10S	21.7	2.10	1.02	216.62	173.31	21.2	17.0
●		●	●		20A	10S	27.2	2.10	1.31	170.78	136.61	16.8	13.4
●	●	●	●	●	25A	10S	34.0	2.80	2.17	183.08	146.45	18.0	14.4
●	●	●	●	●	32A	10S	42.7	2.80	2.77	143.92	115.16	14.1	11.3
●	●	●	●	●	40A	10S	48.6	2.80	3.18	125.71	100.61	12.3	9.9
●	●	●	●	●	50A	10S	60.5	2.80	4.01	100.12	80.15	9.8	7.9
●	●	●	●	●	65A	10S	76.3	3.00	5.46	84.65	67.71	8.3	6.6
●	●	●	●	●	80A	10S	89.1	3.00	6.41	72.21	57.72	7.1	5.7
●	●	●	●	●	90A	10S	101.6	3.00	7.34	63.14	50.48	6.2	5.0
●	●	●	●	●	100A	10S	114.3	3.00	8.29	55.96	44.79	5.5	4.4
●	●	●	●	●	125A	10S	139.8	3.40	11.51	51.82	41.41	5.1	4.1
●	●	●	●	●	150A	10S	165.2	3.40	13.65	43.73	34.94	4.3	3.4
●	●	●	●	●	200A	10S	216.3	4.00	21.08	39.23	31.36	3.8	3.1
●	●	●	●	●	250A	10S	267.4	4.00	26.15	31.64	25.31	3.1	2.5
●	●	●	●	●	300A	10S	318.5	4.50	35.07	29.88	23.90	2.9	2.3
	●	●	●	●	350A	10S	355.6	5.00	43.51	N/A	23.20	N/A	2.3
	●	●	●	●	400A	10S	406.4	5.00	49.81	N/A	20.32	N/A	2.0
	●	●	●	●	450A	10S	457.2	5.00	56.11	N/A	18.00	N/A	1.8
	●	●	●	●	500A	10S	508.0	5.50	68.59	N/A	17.86	N/A	1.8
	●	●	●	●	550A	10S	558.8	5.50	75.53	N/A	16.24	N/A	1.6
	●	●	●	●	600A	10S	609.6	6.50	97.29	N/A	17.58	N/A	1.7
	●		●	●	650A	10S	660.4	8.00	129.53	N/A	20.53	N/A	2.0
	●		●	●	700A	10S	711.2	8.00	139.62	N/A	19.05	N/A	1.9
	●		●	●	750A	10S	762.0	8.00	149.71	N/A	17.79	N/A	1.7
	●		●	●	800A	10S	812.8	8.00	159.79	N/A	16.66	N/A	1.6

* Gauge pressure is listed.

Notes:

- Maximum safe working pressure is calculated, per ASME B31.3-2020, paragraph 304.1.2. Calculations assume maximum allowable O.D. and minimum allowable wall thickness (worst case scenario).
- Material: SUS 304LTP or SUS 316LTP per JIS G3459, and SUS 304 LTPY, SUS 316 LTPY per JIS G3468
- Temperature range used for above calculations is -20°F to 300°F, -28.8°C to 148.9°C. For recommended working pressures higher than 300°F (148.9°C), please consult factory.

Elbows

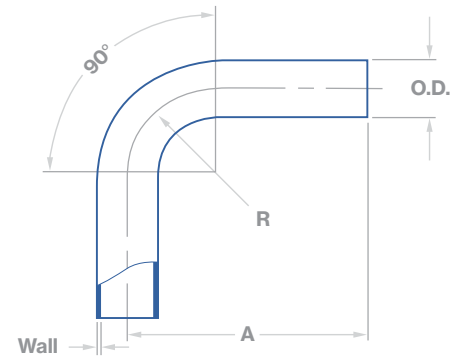
- 90° Elbows
- 45° Elbows



CONFIGURATION
2

90° Elbow

Valex Standard, ASTM Tube



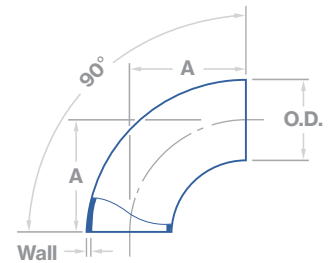
Product Lines		
401 (EP)	201 (BA-S)	222 (BA-S)
•	•	•
•	•	•
•	•	•
•	•	
•	•	
•	•	
•	•	
•	•	
•	•	
•	•	
•	•	

Dimensions in Inches				
Size	O.D.	Wall	A	R
1/4"	.250	.035 / .039	2.060	.56
3/8"	.375	.035 / .039	2.625	.56
1/2"	.500	.049	2.625	.75
3/4"	.750	.065	3.000	1.13
1"	1.000	.065	4.000	1.50
1-1/2"	1.500	.065	3.750	2.25
2"	2.000	.065	4.750	3.00
2-1/2"	2.500	.065	5.500	3.75
3"	3.000	.065	6.250	4.50
4"	4.000	.083	8.000	6.00
6"	6.000	.109	14.000	9.00

CONFIGURATION
2LS

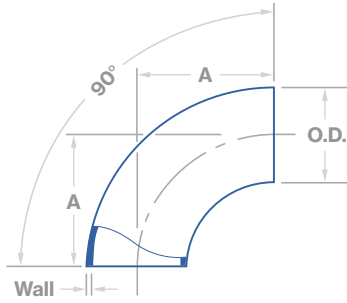
90° Elbow, Long

ASME B16.9, ASME Pipe



Product Lines	
LDEP (EP)	CFOS (BA/AP)
	•
	•
	•
	•
	•
•	•
•	•
•	•
•	•
•	•
•	•
•	•
•	•
•	•
•	•
•	•
•	•
•	•
•	•
•	•
•	•

Dimensions in Inches				
Size	Sch.	O.D.	Wall	A
NPS 1/2	10S	.84	.083	1.50
NPS 3/4	10S	1.05	.083	1.50
NPS 1	10S	1.32	.109	1.50
NPS 1-1/4	10S	1.66	.109	1.88
NPS 1-1/2	10S	1.90	.109	2.25
NPS 2	10S	2.38	.109	3.00
NPS 2-1/2	10S	2.88	.120	3.75
NPS 3	10S	3.50	.120	4.50
NPS 3-1/2	10S	4.00	.120	5.25
NPS 4	10S	4.50	.120	6.00
NPS 5	10S	5.56	.134	7.50
NPS 6	10S	6.62	.134	9.00
NPS 8	10S	8.62	.148	12.00
NPS 10	10S	10.75	.165	15.00
NPS 12	10S	12.75	.180	18.00
NPS 14	10S	14.00	.188	21.00
NPS 16	10S	16.00	.188	24.00
NPS 18	10S	18.00	.188	27.00
NPS 20	10S	20.00	.218	30.00
NPS 22	10S	22.00	.218	33.00
NPS 24	10S	24.00	.250	36.00



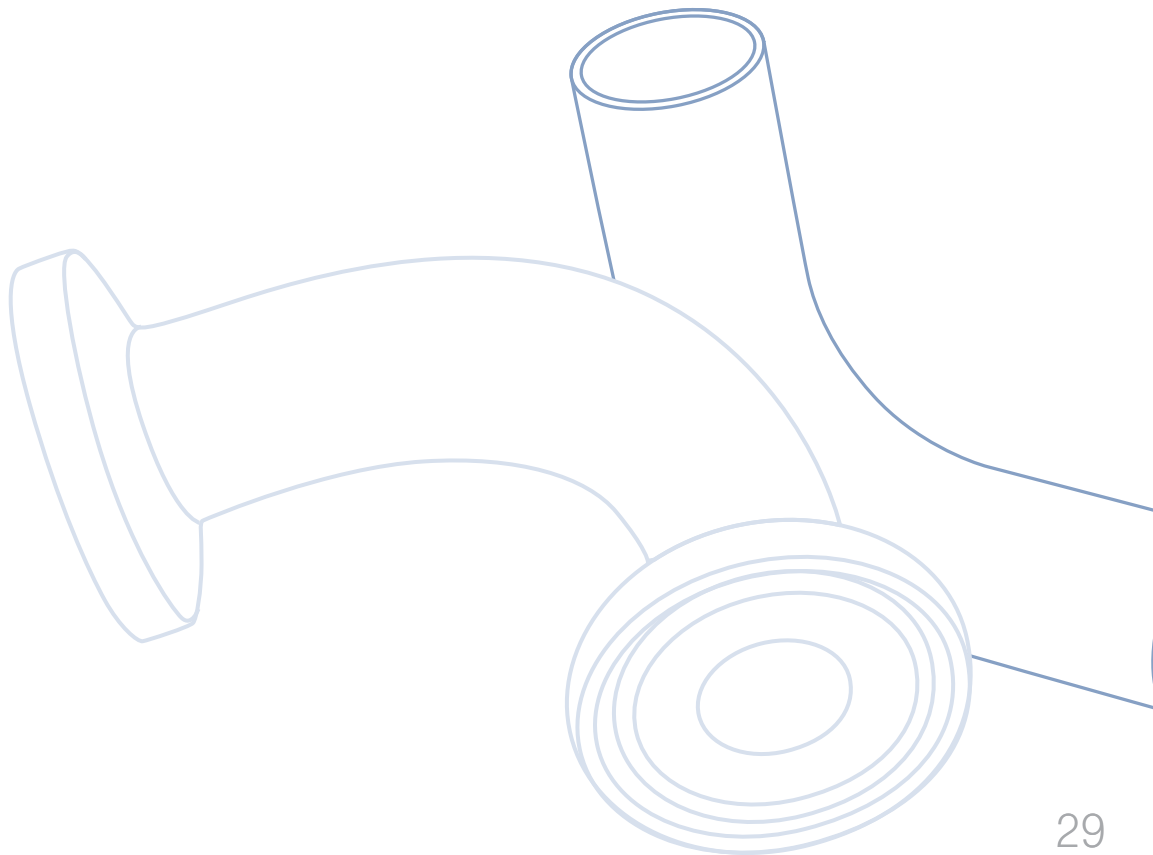
90° Elbow, Short

ASME B16.9, ASME Pipe

CONFIGURATION
2SS

Product Lines	
LDEP (EP)	CFOS (BA/AP)
	●
	●
	●
●	●
●	●
●	●
●	●
●	●
●	●
●	●
●	●
●	●
●	●
●	●
●	●
●	●
●	●
●	●
●	●

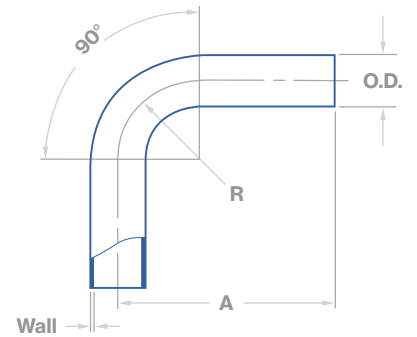
Dimensions in Inches					
Size	Sch.	O.D.	Wall	A	
NPS 1	10S	1.32	.109	1.00	
NPS 1-1/4	10S	1.66	.109	1.25	
NPS 1-1/2	10S	1.90	.109	1.50	
NPS 2	10S	2.38	.109	2.00	
NPS 2-1/2	10S	2.88	.120	2.50	
NPS 3	10S	3.50	.120	3.00	
NPS 3-1/2	10S	4.00	.120	3.50	
NPS 4	10S	4.50	.120	4.00	
NPS 5	10S	5.56	.134	5.00	
NPS 6	10S	6.62	.134	6.00	
NPS 8	10S	8.62	.148	8.00	
NPS 10	10S	10.75	.165	10.00	
NPS 12	10S	12.75	.180	12.00	
NPS 14	10S	14.00	.188	14.00	
NPS 16	10S	16.00	.188	16.00	
NPS 18	10S	18.00	.188	18.00	
NPS 20	10S	20.00	.218	20.00	
NPS 22	10S	22.00	.218	22.00	
NPS 24	10S	24.00	.250	24.00	





90° Elbow, Long

Valex Standard, JIS Pipe

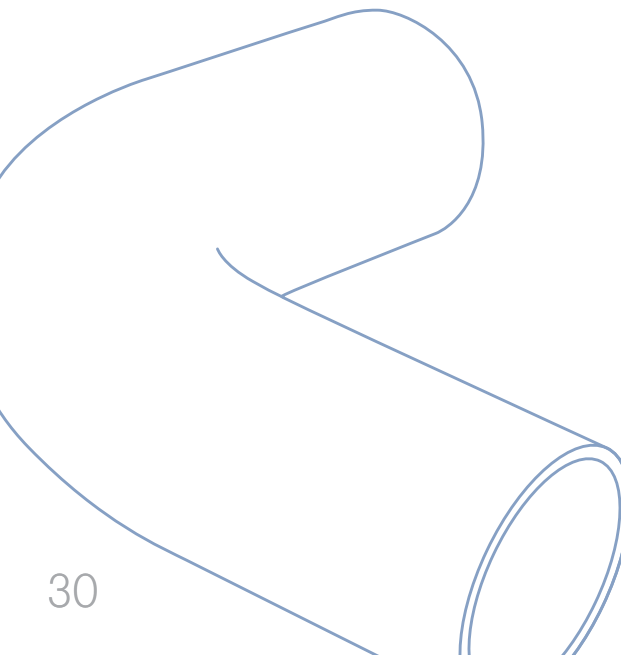


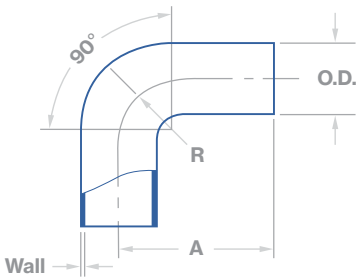
Product Lines

401 (EP)	LDEP (EP)	201 (BA-S)	101 (BA-S)	CFOS (BA/AP)
•				
•				
•		•	•	•
•		•	•	•
•	•	•	•	•
•	•	•	•	•
•	•	•	•	•
•	•	•	•	•
•	•	•	•	•
•	•	•	•	•
•	•	•	•	•
•	•	•	•	•
•	•	•	•	•
•	•	•	•	•
•	•	•	•	•
•	•	•	•	•
•	•	•	•	•
•	•	•	•	•
•	•	•	•	•
•	•	•	•	•
•	•	•	•	•
•	•	•	•	•
•	•	•	•	•

Dimensions in Millimeters

Size	O.D.	5S Wall	10S Wall	A	R
8A	13.8	1.20	1.65	55	25.4
10A	17.3	1.20	1.65	62	25.4
15A	21.7	1.65	2.10	75	38.1
20A	27.2	1.65	2.10	75	38.1
25A	34.0	1.65	2.80	75	38.1
32A	42.7	1.65	2.80	94	47.6
40A	48.6	1.65	2.80	104	57.2
50A	60.5	1.65	2.80	123	76.2
65A	76.3	2.10	3.00	147	95.3
80A	89.1	2.10	3.00	166	114.3
100A	114.3	2.10	3.00	204	152.4
125A	139.8	2.80	3.40	250	190.5
150A	165.2	2.80	3.40	290	228.6
200A	216.3	2.80	4.00	375	304.8
250A	267.4	3.40	4.00	461	381.0
300A	318.5	4.00	4.50	537	457.2
350A	355.6	4.00	5.00	613	533.4
400A	406.4	4.50	5.00	690	609.6
450A	457.2	4.50	5.00	766	685.8
500A	508.0	5.00	5.50	842	762.0
550A	558.8	5.00	5.50	918	838.2
600A	609.6	5.50	6.50	994	914.4





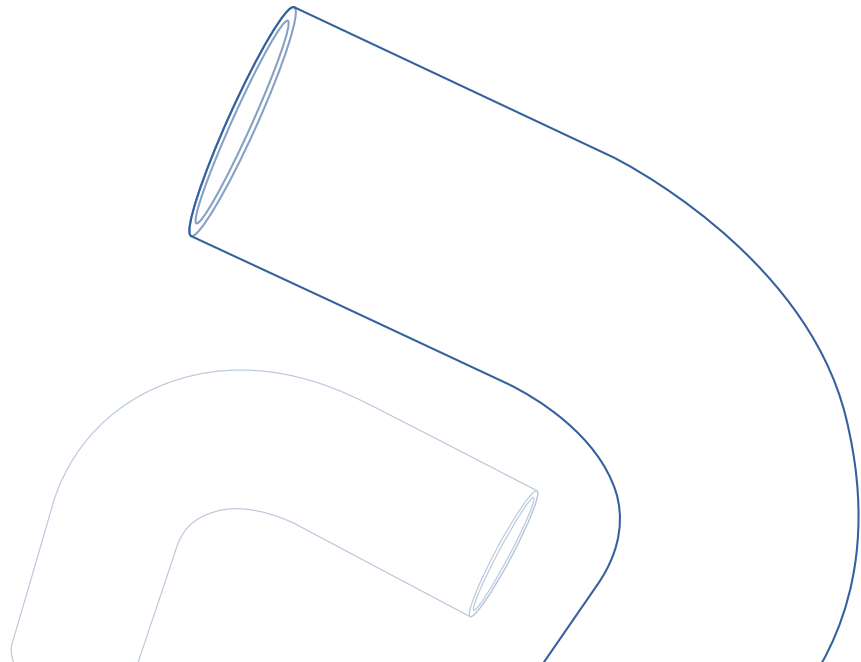
90° Elbow, Short

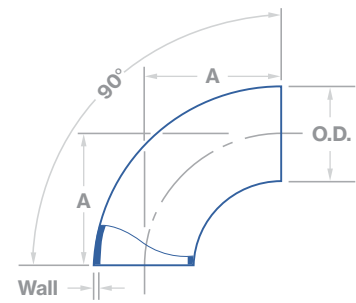
Valex Standard, JIS Pipe



Product Lines				
401 (EP)	LDEP (EP)	201 (BA-S)	101 (BA-S)	CFOS (BA/AP)
●	●	●	●	●
●	●	●	●	●
●	●	●	●	●
●	●	●	●	●
●	●	●	●	●
●	●	●	●	●
●	●	●	●	●
●	●	●	●	●
●	●	●	●	●
●	●	●	●	●
●	●	●	●	●
●	●	●	●	●
●	●	●	●	●
●	●	●	●	●
●	●	●	●	●
●	●	●	●	●
●	●	●	●	●
●	●	●	●	●
●	●	●	●	●

Dimensions in Millimeters					
Size	O.D.	5S Wall	10S Wall	A	R
25A	34.0	1.65	2.80	62	25.4
32A	42.7	1.65	2.80	78	31.8
40A	48.6	1.65	2.80	85	38.1
50A	60.5	1.65	2.80	97	50.8
65A	76.3	2.10	3.00	115	63.5
80A	89.1	2.10	3.00	128	76.2
100A	114.3	2.10	3.00	153	101.6
125A	139.8	2.80	3.40	185	127.0
150A	165.2	2.80	3.40	210	152.4
200A	216.3	2.80	4.00	275	203.2
250A	267.4	3.40	4.00	334	254.0
300A	318.5	4.00	4.50	384	304.8
350A	355.6	4.00	5.00	435	355.6
400A	406.4	4.50	5.00	486	406.4
450A	457.2	4.50	5.00	573	457.2
500A	508.0	5.00	5.50	588	508.0
550A	558.8	5.00	5.50	640	558.8
600A	609.6	5.50	6.50	690	609.6



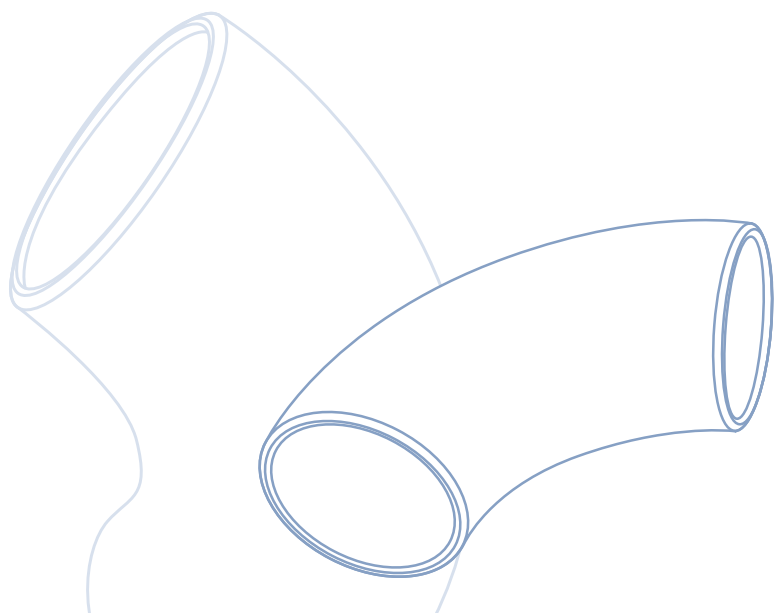


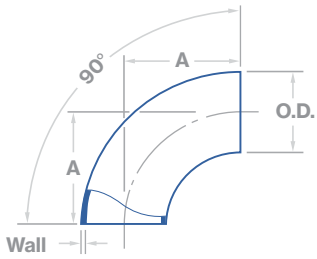
CONFIGURATION
2LS

90° Elbow, Long

JIS B2312 / B2313 Standard, JIS Pipe

Product Lines					Dimensions in Millimeters				
401 (EP)	LDEP (EP)	201 (BA-S)	101 (BA-S)	CFOS (BA/AP)	Size	O.D.	5S Wall	10S Wall	A
●		●	●	●	15A	21.7	1.65	2.10	38.1
●		●	●	●	20A	27.2	1.65	2.10	38.1
●	●	●	●	●	25A	34.0	1.65	2.80	38.1
●	●	●	●	●	32A	42.7	1.65	2.80	47.6
●	●	●	●	●	40A	48.6	1.65	2.80	57.2
●	●	●	●	●	50A	60.5	1.65	2.80	76.2
●	●	●	●	●	65A	76.3	2.10	3.00	95.3
●	●	●	●	●	80A	89.1	2.10	3.00	114.3
●	●	●	●	●	90A	101.6	2.10	3.00	133.4
●	●	●	●	●	100A	114.3	2.10	3.00	152.4
●	●	●	●	●	125A	139.8	2.80	3.40	190.5
●	●	●	●	●	150A	165.2	2.80	3.40	228.6
●	●	●	●	●	200A	216.3	2.80	4.00	304.8
●	●	●	●	●	250A	267.4	3.40	4.00	381.0
●	●	●	●	●	300A	318.5	4.00	4.50	457.2
	●	●	●	●	350A	355.6	4.00	5.00	533.4
	●	●	●	●	400A	406.4	4.50	5.00	609.6
	●	●	●	●	450A	457.2	4.50	5.00	685.8
	●	●	●	●	500A	508.0	5.00	5.50	762.0
	●	●	●	●	550A	558.8	5.00	5.50	838.2
	●	●	●	●	600A	609.6	5.50	6.50	914.4
	●		●	●	650A	660.4	5.50	8.00	990.6
	●		●	●	700A	711.2	5.50	8.00	1066.8
	●		●	●	750A	762.0	6.50	8.00	1143.0
	●		●	●	800A	812.8	N/A	8.00	1219.2





90° Elbow, Short

JIS B2312 / B2313 Standard, JIS Pipe



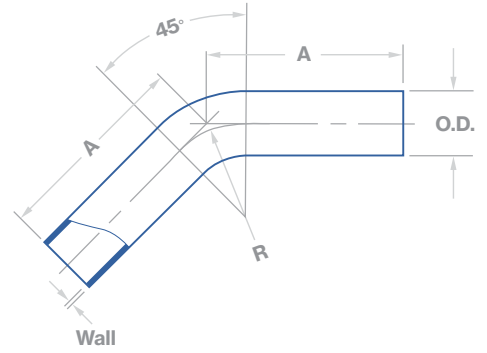
Product Lines				
401 (EP)	LDEP (EP)	201 (BA-S)	101 (BA-S)	CFOS (BA/AP)
●	●	●	●	●
●	●	●	●	●
●	●	●	●	●
●	●	●	●	●
●	●	●	●	●
●	●	●	●	●
●	●	●	●	●
●	●	●	●	●
●	●	●	●	●
●	●	●	●	●
●	●	●	●	●
●	●	●	●	●
●	●	●	●	●
●	●	●	●	●
●	●	●	●	●
●	●	●	●	●
●	●	●	●	●
●	●	●	●	●
●	●	●	●	●
●	●	●	●	●
●	●	●	●	●
●	●	●	●	●

Dimensions in Millimeters				
Size	O.D.	5S Wall	10S Wall	A
25A	34.0	1.65	2.80	25.4
32A	42.7	1.65	2.80	31.8
40A	48.6	1.65	2.80	38.1
50A	60.5	1.65	2.80	50.8
65A	76.3	2.10	3.00	63.5
80A	89.1	2.10	3.00	76.2
90A	101.6	2.10	3.00	88.9
100A	114.3	2.10	3.00	101.6
125A	139.8	2.80	3.40	127.0
150A	165.2	2.80	3.40	152.4
200A	216.3	2.80	4.00	203.2
250A	267.4	3.40	4.00	254.0
300A	318.5	4.00	4.50	304.8
350A	355.6	4.00	5.00	355.6
400A	406.4	4.50	5.00	406.4
450A	457.2	4.50	5.00	457.2
500A	508.0	5.00	5.50	508.0
550A	558.8	5.00	5.50	558.8
600A	609.6	5.50	6.50	609.6
650A	660.4	5.50	8.00	660.4
700A	711.2	5.50	8.00	711.2
750A	762.0	6.50	8.00	762.0
800A	812.8	N/A	8.00	812.8



45° Elbow

Valex Standard, ASTM Tube

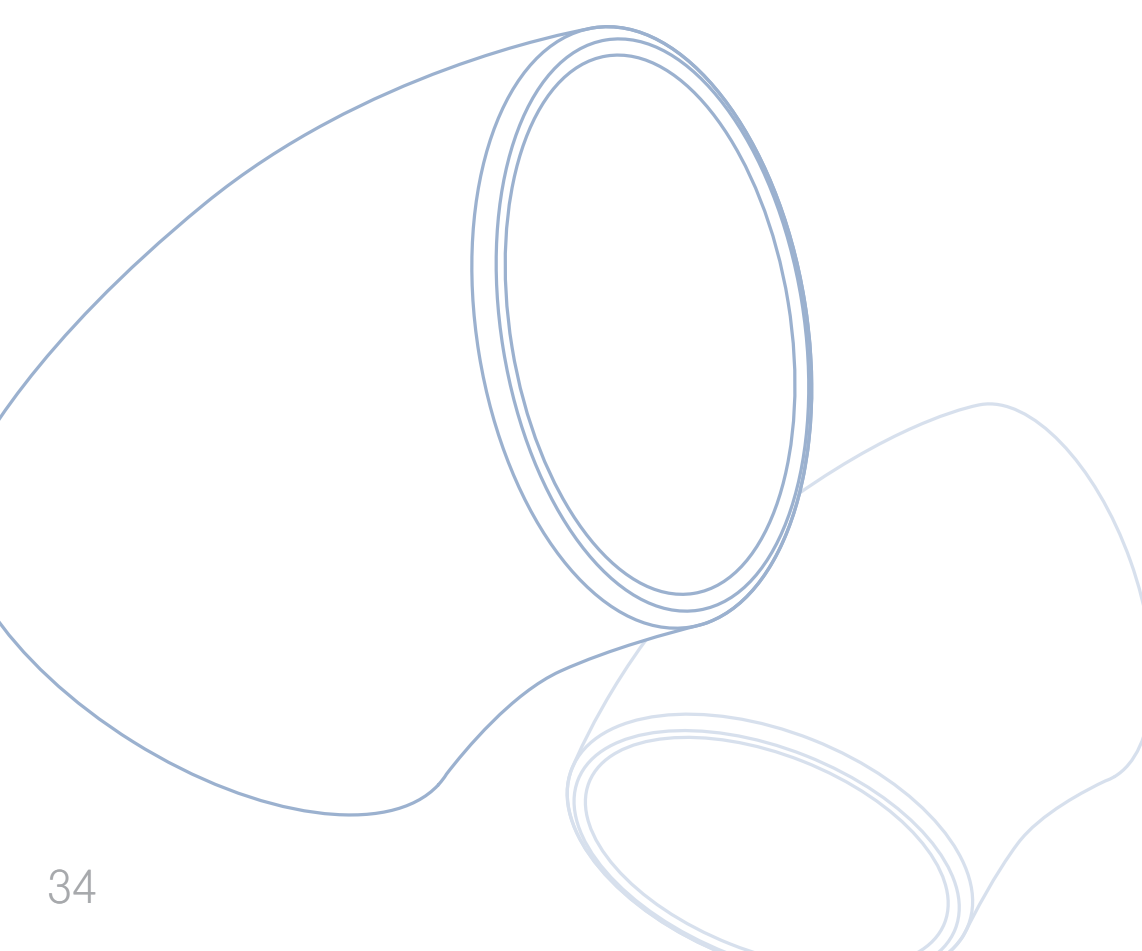


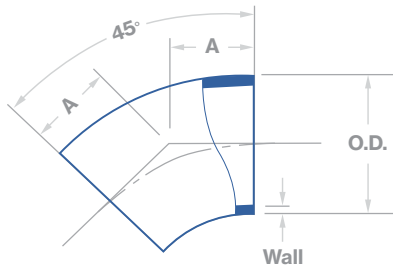
Product Lines

401 (EP)	201 (BA-S)	222 (BA-S)
•	•	•
•	•	•
•	•	•
•	•	
•	•	
•	•	
•	•	
•	•	
•	•	
•	•	
•	•	

Dimensions in Inches

Size	O.D.	Wall	A	R
1/4"	.250	.035 / .039	1.100	.56
3/8"	.375	.035 / .039	2.000	.56
1/2"	.500	.049	2.500	.75
3/4"	.750	.065	2.500	1.13
1"	1.000	.065	3.125	1.50
1-1/2"	1.500	.065	2.500	2.25
2"	2.000	.065	3.000	3.00
2-1/2"	2.500	.065	3.375	3.75
3"	3.000	.065	3.625	4.50
4"	4.000	.083	4.500	6.00
6"	6.000	.109	8.750	9.00





45° Elbow, Long

ASME B16.9 Standard, ASME Pipe

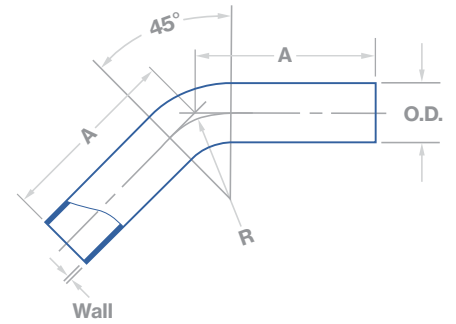


Product Lines		Dimensions in Inches				
LDEP (EP)	CFOS (BA/AP)	Size	Sch.	O.D.	Wall	A
	●	NPS 1/2	10S	.84	.083	.62
	●	NPS 3/4	10S	1.05	.083	.75
	●	NPS 1	10S	1.32	.109	.88
	●	NPS 1-1/4	10S	1.66	.109	1.00
	●	NPS 1-1/2	10S	1.90	.109	1.12
●	●	NPS 2	10S	2.38	.109	1.38
●	●	NPS 2-1/2	10S	2.88	.120	1.75
●	●	NPS 3	10S	3.50	.120	2.00
●	●	NPS 3-1/2	10S	4.00	.120	2.25
●	●	NPS 4	10S	4.50	.120	2.50
●	●	NPS 5	10S	5.56	.134	3.12
●	●	NPS 6	10S	6.62	.134	3.75
●	●	NPS 8	10S	8.62	.148	5.00
●	●	NPS 10	10S	10.75	.165	6.25
●	●	NPS 12	10S	12.75	.180	7.50
●	●	NPS 14	10S	14.00	.188	8.75
●	●	NPS 16	10S	16.00	.188	10.00
●	●	NPS 18	10S	18.00	.188	11.25
●	●	NPS 20	10S	20.00	.218	12.50
●	●	NPS 22	10S	22.00	.218	13.50
●	●	NPS 24	10S	24.00	.250	15.00

CONFIGURATION
2K

45° Elbow

Valex Standard, JIS Pipe

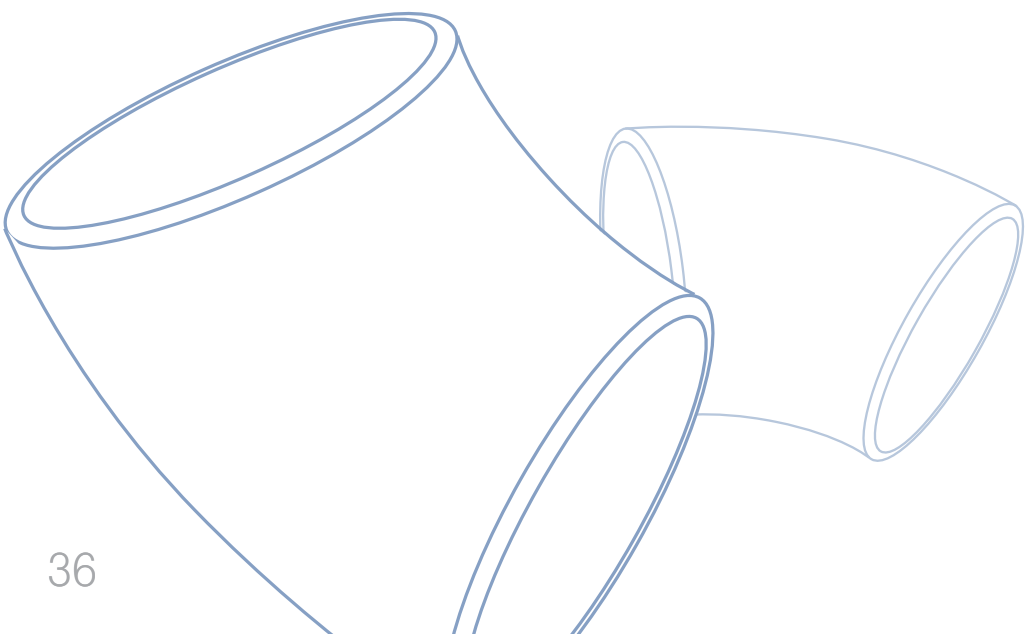


Product Lines

401 (EP)	LDEP (EP)	201 (BA-S)	101 (BA-S)	CFOS (BA/AP)
•				
•				
•		•	•	•
•		•	•	•
•	•	•	•	•
•	•	•	•	•
•	•	•	•	•
•	•	•	•	•
•	•	•	•	•
•	•	•	•	•
•	•	•	•	•
•	•	•	•	•
•	•	•	•	•
•	•	•	•	•
•	•	•	•	•
•	•	•	•	•
•	•	•	•	•
•	•	•	•	•
•	•	•	•	•
•	•	•	•	•
•	•	•	•	•
•	•	•	•	•
•	•	•	•	•
•	•	•	•	•

Dimensions in Millimeters

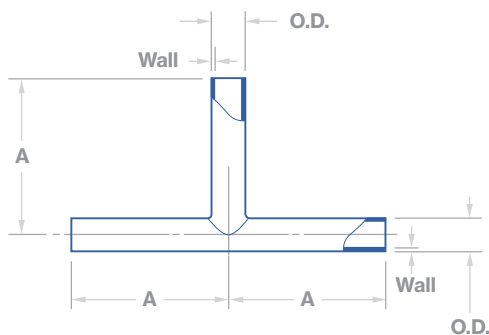
Size	O.D.	5S Wall	10S Wall	A	R
8A	13.8	1.20	1.65	40	25.4
10A	17.3	1.20	1.65	47	25.4
15A	21.7	1.65	2.10	52	38.1
20A	27.2	1.65	2.10	52	38.1
25A	34.0	1.65	2.80	52	38.1
32A	42.7	1.65	2.80	66	47.6
40A	48.6	1.65	2.80	70	57.2
50A	60.5	1.65	2.80	78	76.2
65A	76.3	2.10	3.00	91	95.3
80A	89.1	2.10	3.00	99	114.3
100A	114.3	2.10	3.00	115	152.4
125A	139.8	2.80	3.40	145	190.5
150A	165.2	2.80	3.40	155	228.6
200A	216.3	2.80	4.00	195	304.8
250A	267.4	3.40	4.00	237	381.0
300A	318.5	4.00	4.50	269	457.2
350A	355.6	4.00	5.00	296	533.4
400A	406.4	4.50	5.00	333	609.6
450A	457.2	4.50	5.00	365	685.8
500A	508.0	5.00	5.50	400	762.0
550A	558.8	5.00	5.50	432	838.2
600A	609.6	5.50	6.50	464	914.4



Tees

- Equal Tees
- Reducing Tees





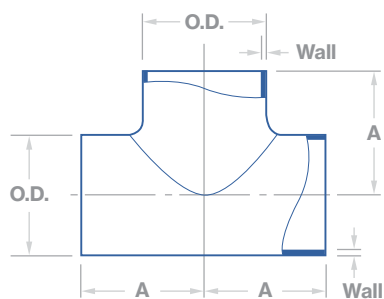
Equal Tee

Valex Standard, ASTM Tube



Product Lines		
401 (EP)	201 (BA-S)	222 (BA-S)
●	●	●
●	●	●
●	●	●
●	●	●
●	●	●
●	●	●
●	●	●
●	●	●
●	●	●
●	●	●
●	●	●
●	●	●

Dimensions in Inches			
Size	O.D.	Wall	A
1/4" x 1/4"	.250	.035 / .039	1.750
3/8" x 3/8"	.375	.035 / .039	1.750
1/2" x 1/2"	.500	.049	2.125
3/4" x 3/4"	.750	.065	2.125
1" x 1"	1.000	.065	2.500
1-1/2" x 1-1/2"	1.500	.065	2.750
2" x 2"	2.000	.065	3.250
2-1/2" x 2-1/2"	2.500	.065	3.500
3" x 3"	3.000	.065	5.500
4" x 4"	4.000	.083	6.000
6" x 6"	6.000	.109	10.625



Equal Tee

ASME B16.9 Standard, ASME Pipe



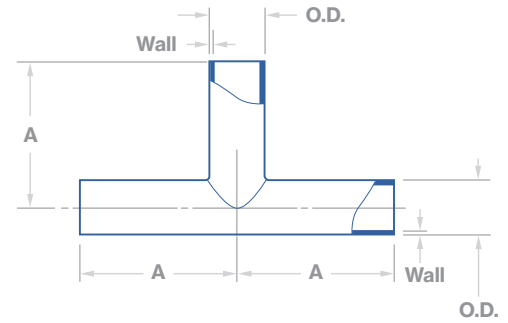
Product Lines	
LDEP (EP)	CFOS (BA/AP)
●	●
●	●
●	●
●	●
●	●
●	●
●	●
●	●
●	●
●	●
●	●
●	●
●	●
●	●
●	●
●	●
●	●
●	●
●	●
●	●
●	●
●	●
●	●
●	●
●	●
●	●
●	●
●	●
●	●
●	●
●	●

Dimensions in Inches				
Size	Sch.	O.D.	Wall	A
NPS 1/2 x NPS 1/2	10S	.84	.083	1.00
NPS 3/4 x NPS 3/4	10S	1.05	.083	1.12
NPS 1 x NPS 1	10S	1.32	.109	1.50
NPS 1-1/4 x NPS 1-1/4	10S	1.66	.109	1.88
NPS 1-1/2 x NPS 1-1/2	10S	1.90	.109	2.25
NPS 2 x NPS 2	10S	2.38	.109	2.50
NPS 2-1/2 x NPS 2-1/2	10S	2.88	.120	3.00
NPS 3 x NPS 3	10S	3.50	.120	3.38
NPS 3-1/2 x NPS 3-1/2	10S	4.00	.120	3.75
NPS 4 x NPS 4	10S	4.50	.120	4.12
NPS 5 x NPS 5	10S	5.56	.134	4.88
NPS 6 x NPS 6	10S	6.62	.134	5.62
NPS 8 x NPS 8	10S	8.62	.148	7.00
NPS 10 x NPS 10	10S	10.75	.165	8.50
NPS 12 x NPS 12	10S	12.75	.180	10.00
NPS 14 x NPS 14	10S	14.00	.188	11.00
NPS 16 x NPS 16	10S	16.00	.188	12.00
NPS 18 x NPS 18	10S	18.00	.188	13.50
NPS 20 x NPS 20	10S	20.00	.218	15.00
NPS 22 x NPS 22	10S	22.00	.218	16.50
NPS 24 x NPS 24	10S	24.00	.250	17.00

CONFIGURATION
7ST

Equal Tee, Short

Valex Standard, ASTM Tube



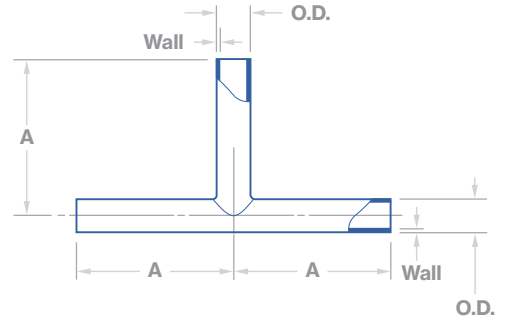
Product Lines		
401 (EP)	201 (BA-S)	222 (BA-S)
•	•	
•	•	
•	•	
•	•	
•	•	

Dimensions in Inches			
Size	O.D.	Wall	A
1-1/2" x 1-1/2"	1.500	.065	2.375
2" x 2"	2.000	.065	2.875
2-1/2" x 2-1/2"	2.500	.065	3.125
3" x 3"	3.000	.065	3.375
4" x 4"	4.000	.083	4.125

CONFIGURATION
7

Equal Tee

Valex Standard, JIS Pipe

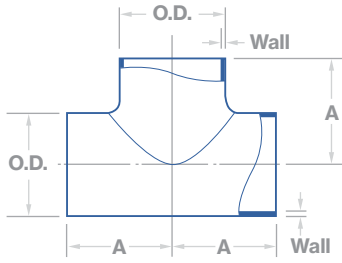


Product Lines				
401 (EP)	LDEP (EP)	201 (BA-S)	101 (BA-S)	CFOS (BA/AP)
•				
•				
•		•	•	•
•		•	•	•
•	•	•	•	•
•	•	•	•	•
•	•	•	•	•
•	•	•	•	•
•	•	•	•	•
•	•	•	•	•
•	•	•	•	•
•	•	•	•	•
•	•	•	•	•
•	•	•	•	•
•	•	•	•	•
•	•	•	•	•
•	•	•	•	•
•	•	•	•	•
•	•	•	•	•
•	•	•	•	•
•	•	•	•	•
•	•	•	•	•

Dimensions in Millimeters				
Size	O.D.	5S Wall	10S Wall	A
8A	13.8	1.20	1.65	42
10A	17.3	1.20	1.65	49
15A	21.7	1.65	2.10	59
20A	27.2	1.65	2.10	65
25A	34.0	1.65	2.80	68
32A	42.7	1.65	2.80	88
40A	48.6	1.65	2.80	95
50A	60.5	1.65	2.80	102
65A	76.3	2.10	3.00	121
80A	89.1	2.10	3.00	130
100A	114.3	2.10	3.00	145
125A	139.8	2.80	3.40	160
150A	165.2	2.80	3.40	170
200A	216.3	2.80	4.00	190
250A	267.4	3.40	4.00	230
300A	318.5	4.00	4.50	267
350A	355.6	4.00	5.00	293
400A	406.4	4.50	5.00	318
450A	457.2	4.50	5.00	356
500A	508.0	5.00	5.50	395
550A	558.8	5.00	5.50	432
600A	609.6	5.50	6.50	445



Dimensions



Equal Tee

CONFIGURATION
7S

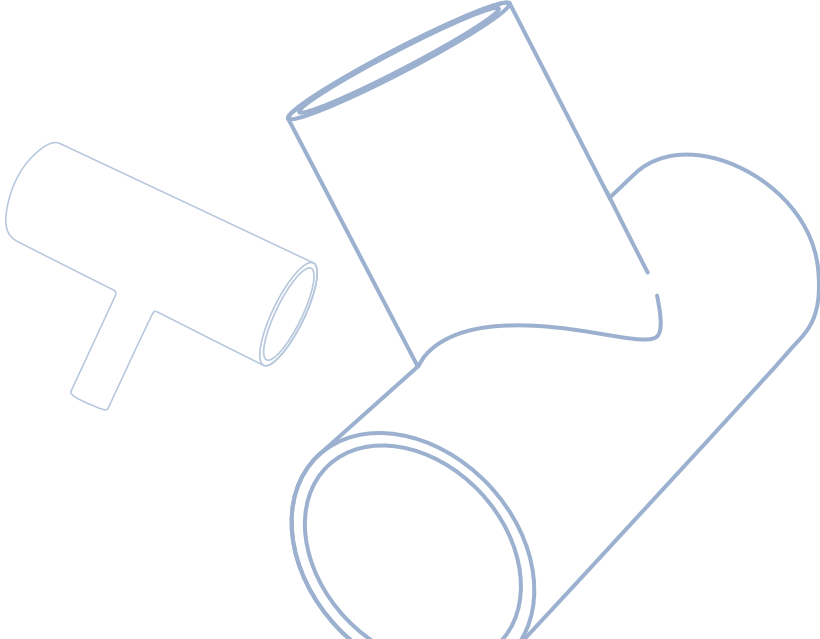
JIS B2312 / B2313 Standard, JIS Pipe

Product Lines

401 (EP)	LDEP (EP)	201 (BA-S)	101 (BA-S)	CFOS (BA/AP)
●		●	●	●
●		●	●	●
●	●	●	●	●
●	●	●	●	●
●	●	●	●	●
●	●	●	●	●
●	●	●	●	●
●	●	●	●	●
●	●	●	●	●
●	●	●	●	●
●	●	●	●	●
●	●	●	●	●
●	●	●	●	●
●	●	●	●	●
●	●	●	●	●
●	●	●	●	●
●	●	●	●	●
●	●	●	●	●
●	●	●	●	●
●	●	●	●	●
●	●	●	●	●
●	●	●	●	●
●	●	●	●	●
●	●	●	●	●
●	●	●	●	●
●	●	●	●	●
●	●	●	●	●
●	●	●	●	●
●	●	●	●	●
●	●	●	●	●
●	●	●	●	●

Dimensions in Millimeters

Size	O.D.	5S Wall	10S Wall	A
15A	21.7	1.65	2.10	25.4
20A	27.2	1.65	2.10	28.6
25A	34.0	1.65	2.80	38.1
32A	42.7	1.65	2.80	47.6
40A	48.6	1.65	2.80	57.2
50A	60.5	1.65	2.80	63.5
65A	76.3	2.10	3.00	76.2
80A	89.1	2.10	3.00	85.7
90A	101.6	2.10	3.00	95.3
100A	114.3	2.10	3.00	104.8
125A	139.8	2.80	3.40	123.8
150A	165.2	2.80	3.40	142.9
200A	216.3	2.80	4.00	177.8
250A	267.4	3.40	4.00	215.9
300A	318.5	4.00	4.50	254.0
350A	355.6	4.00	5.00	279.4
400A	406.4	4.50	5.00	304.8
450A	457.2	4.50	5.00	342.9
500A	508.0	5.00	5.50	381.0
550A	558.8	5.00	5.50	419.1
600A	609.6	5.50	6.50	431.8
650A	660.4	5.50	8.00	495.3
700A	711.2	5.50	8.00	520.7
750A	762.0	6.50	8.00	558.8
800A	812.8	N/A	8.00	596.9



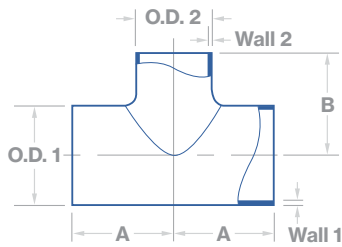
Reducing Tee

Valex Standard, ASTM Tube CONTINUED



Product Lines		
401 (EP)	201 (BA-S)	222 (BA-S)
●	●	
●	●	
●	●	
●	●	
●	●	
●	●	
●	●	
●	●	
●	●	
●	●	

Dimensions in Inches					
Size	O.D. 1	Wall 1	O.D. 2	Wall 2	A
6" x 1/4"	6.000	.109	.250	.035 / .039	6.000
6" x 3/8"	6.000	.109	.375	.035 / .039	6.000
6" x 1/2"	6.000	.109	.500	.049	6.000
6" x 3/4"	6.000	.109	.750	.065	6.000
6" x 1"	6.000	.109	1.000	.065	6.000
6" x 1-1/2"	6.000	.109	1.500	.065	6.000
6" x 2"	6.000	.109	2.000	.065	6.000
6" x 2-1/2"	6.000	.109	2.500	.065	6.000
6" x 3"	6.000	.109	3.000	.065	11.000
6" x 4"	6.000	.109	4.000	.083	11.000



Reducing Tee

ASME B16.9 Standard, ASME Pipe



Product Lines	
LDEP (EP)	CFOS (BA/AP)
	●
	●
	●
	●
	●
	●
	●
	●
	●
	●
	●
	●
	●
	●
	●
	●
	●
	●
	●
	●
	●
●	●
	●
	●
●	●
●	●
	●
●	●
●	●
●	●

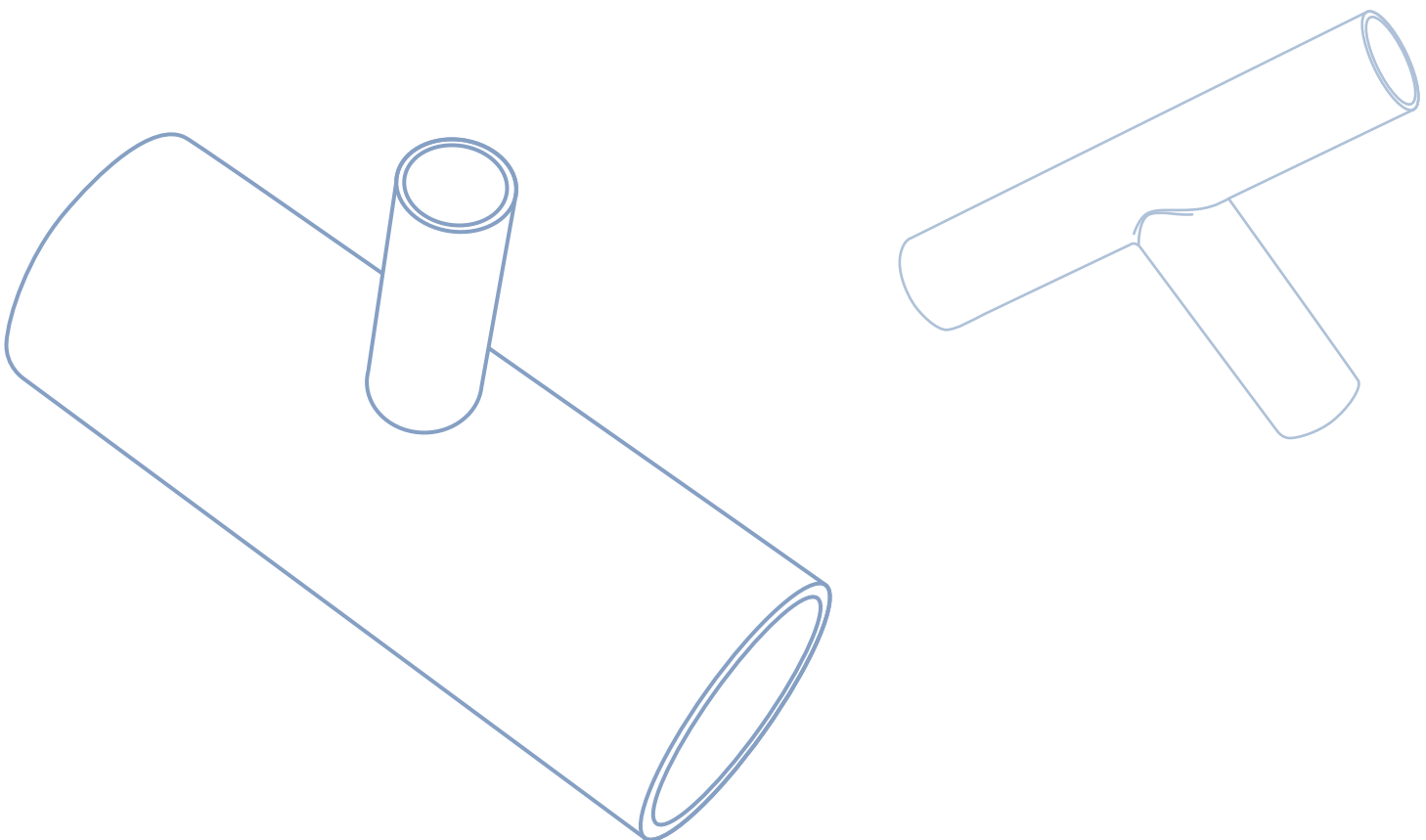
Dimensions in Inches							
Size	Sch.	O.D. 1	Wall 1	O.D. 2	Wall 2	A	B
NPS 3/4 x NPS 1/2	10S x 10S	1.05	.083	.84	.083	1.12	1.12
NPS 1 x NPS 1/2	10S x 10S	1.32	.109	.84	.083	1.50	1.50
NPS 1 x NPS 3/4	10S x 10S	1.32	.109	1.05	.083	1.50	1.50
NPS 1-1/4 x NPS 1/2	10S x 10S	1.66	.109	.84	.083	1.88	1.88
NPS 1-1/4 x NPS 3/4	10S x 10S	1.66	.109	1.05	.083	1.88	1.88
NPS 1-1/4 x NPS 1	10S x 10S	1.66	.109	1.32	.109	1.88	1.88
NPS 1-1/2 x NPS 1/2	10S x 10S	1.90	.109	.84	.083	2.25	2.25
NPS 1-1/2 x NPS 3/4	10S x 10S	1.90	.109	1.05	.083	2.25	2.25
NPS 1-1/2 x NPS 1	10S x 10S	1.90	.109	1.32	.109	2.25	2.25
NPS 1-1/2 x NPS 1-1/4	10S x 10S	1.90	.109	1.66	.109	2.25	2.25
NPS 2 x NPS 3/4	10S x 10S	2.38	.109	1.05	.083	2.50	1.75
NPS 2 x NPS 1	10S x 10S	2.38	.109	1.32	.109	2.50	2.00
NPS 2 x NPS 1-1/4	10S x 10S	2.38	.109	1.66	.109	2.50	2.25
NPS 2 x NPS 1-1/2	10S x 10S	2.38	.109	1.90	.109	2.50	2.38
NPS 2-1/2 x NPS 1	10S x 10S	2.88	.120	1.32	.109	3.00	2.25
NPS 2-1/2 x NPS 1-1/4	10S x 10S	2.88	.120	1.66	.109	3.00	2.50
NPS 2-1/2 x NPS 1-1/2	10S x 10S	2.88	.120	1.90	.109	3.00	2.62
NPS 2-1/2 x NPS 2	10S x 10S	2.88	.120	2.38	.109	3.00	2.75
NPS 3 x NPS 1-1/4	10S x 10S	3.50	.120	1.66	.109	3.38	2.75
NPS 3 x NPS 1-1/2	10S x 10S	3.50	.120	1.90	.109	3.38	2.88
NPS 3 x NPS 2	10S x 10S	3.50	.120	2.38	.109	3.38	3.00
NPS 3 x NPS 2-1/2	10S x 10S	3.50	.120	2.88	.120	3.38	3.25
NPS 3-1/2 x NPS 1-1/2	10S x 10S	4.00	.120	1.90	.109	3.75	3.12
NPS 3-1/2 x NPS 2	10S x 10S	4.00	.120	2.38	.109	3.75	3.25
NPS 3-1/2 x NPS 2-1/2	10S x 10S	4.00	.120	2.88	.120	3.75	3.50
NPS 3-1/2 x NPS 3	10S x 10S	4.00	.120	3.50	.120	3.75	3.62

Reducing Tee

ASME B16.9 Standard, ASME Pipe CONTINUED



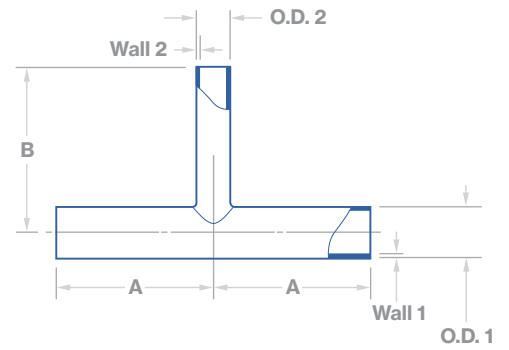
Product Lines		Dimensions in Inches							
LDEP (EP)	CFOS (BA/AP)	Size	Sch.	O.D. 1	Wall 1	O.D. 2	Wall 2	A	B
•	•	NPS 22 x NPS 10	10S x 10S	22.00	.218	10.75	.165	16.50	14.12
•	•	NPS 22 x NPS 12	10S x 10S	22.00	.218	12.75	.180	16.50	14.62
•	•	NPS 22 x NPS 14	10S x 10S	22.00	.218	14.00	.188	16.50	15.00
•	•	NPS 22 x NPS 16	10S x 10S	22.00	.218	16.00	.188	16.50	15.00
•	•	NPS 22 x NPS 18	10S x 10S	22.00	.218	18.00	.188	16.50	15.50
•	•	NPS 22 x NPS 20	10S x 10S	22.00	.218	20.00	.218	16.50	16.00
•	•	NPS 24 x NPS 10	10S x 10S	24.00	.250	10.75	.165	17.00	15.12
•	•	NPS 24 x NPS 12	10S x 10S	24.00	.250	12.75	.180	17.00	15.62
•	•	NPS 24 x NPS 14	10S x 10S	24.00	.250	14.00	.188	17.00	16.00
•	•	NPS 24 x NPS 16	10S x 10S	24.00	.250	16.00	.188	17.00	16.00
•	•	NPS24 x NPS 18	10S x 10S	24.00	.250	18.00	.188	17.00	16.50
•	•	NPS 24 x NPS 20	10S x 10S	24.00	.250	20.00	.218	17.00	17.00
•	•	NPS 24 x NPS 22	10S x 10S	24.00	.250	22.00	.218	17.00	17.00



CONFIGURATION
7R

Reducing Tee

Valex Standard, JIS Pipe

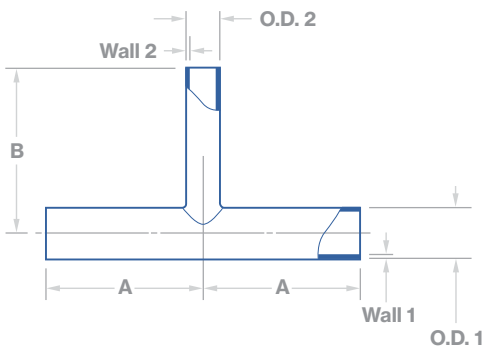


Product Lines

401 (EP)	LDEP (EP)	201 (BA-S)	101 (BA-S)	CFOS (BA/AP)
•				
•				
•				
•				
•				
•		•	•	•
•				
•				
•		•	•	•
•		•	•	•
•				
•				
•		•	•	•
•		•	•	•
•		•	•	•
•	•	•	•	•
•				
•				
•		•	•	•
•		•	•	•
•		•	•	•
•		•	•	•
•	•	•	•	•
•	•	•	•	•
•				
•				
•		•	•	•
•		•	•	•
•		•	•	•
•	•	•	•	•
•	•	•	•	•
•				
•				
•		•	•	•
•		•	•	•
•		•	•	•
•	•	•	•	•
•	•	•	•	•
•				
•				
•		•	•	•
•		•	•	•
•		•	•	•
•	•	•	•	•
•	•	•	•	•
•				
•				
•		•	•	•
•		•	•	•
•		•	•	•
•	•	•	•	•
•	•	•	•	•
•				
•				
•		•	•	•
•		•	•	•
•		•	•	•
•	•	•	•	•
•	•	•	•	•
•				
•				
•		•	•	•
•		•	•	•
•		•	•	•
•	•	•	•	•
•	•	•	•	•

Dimensions in Millimeters

Size	O.D. 1	5S Wall 1	10S Wall 1	O.D. 2	5S Wall 2	10S Wall 2	A	B
10A x 8A	17.3	1.20	1.65	13.8	1.20	1.65	47	44
15A x 8A	21.7	1.65	2.10	13.8	1.20	1.65	47	44
15A x 10A	21.7	1.65	2.10	17.3	1.20	1.65	52	52
20A x 8A	27.2	1.65	2.10	13.8	1.20	1.65	47	47
20A x 10A	27.2	1.65	2.10	17.3	1.20	1.65	55	55
20A x 15A	27.2	1.65	2.10	21.7	1.65	2.10	55	55
25A x 8A	34.0	1.65	2.80	13.8	1.2	1.65	47	50
25A x 10A	34.0	1.65	2.80	17.3	1.2	1.65	59	59
25A x 15A	34.0	1.65	2.80	21.7	1.65	2.10	59	59
25A x 20A	34.0	1.65	2.80	27.2	1.65	2.10	59	59
32A x 8A	42.7	1.65	2.80	13.8	1.20	1.65	57	54
32A x 10A	42.7	1.65	2.80	17.3	1.20	1.65	68	62
32A x 15A	42.7	1.65	2.80	21.7	1.65	2.10	68	62
32A x 20A	42.7	1.65	2.80	27.2	1.65	2.10	68	62
32A x 25A	42.7	1.65	2.80	34.0	1.65	2.8	68	62
40A x 8A	48.6	1.65	2.80	13.8	1.20	1.65	57	57
40A x 10A	48.6	1.65	2.80	17.3	1.20	1.65	68	65
40A x 15A	48.6	1.65	2.80	21.7	1.65	2.10	68	65
40A x 20A	48.6	1.65	2.80	27.2	1.65	2.10	68	65
40A x 25A	48.6	1.65	2.80	34.0	1.65	2.8	68	65
40A x 32A	48.6	1.65	2.80	42.7	1.65	2.8	77	77
50A x 8A	60.5	1.65	2.80	13.8	1.20	1.65	57	63
50A x 10A	60.5	1.65	2.80	17.3	1.20	1.65	68	71
50A x 15A	60.5	1.65	2.80	21.7	1.65	2.10	68	71
50A x 20A	60.5	1.65	2.80	27.2	1.65	2.10	68	71
50A x 25A	60.5	1.65	2.80	34.0	1.65	2.8	68	71
50A x 32A	60.5	1.65	2.80	42.7	1.65	2.8	83	83
50A x 40A	60.5	1.65	2.80	48.6	1.65	2.8	83	83
65A x 8A	76.3	2.10	3.00	13.8	1.20	1.65	61	71
65A x 10A	76.3	2.10	3.00	17.3	1.20	1.65	72	79
65A x 15A	76.3	2.10	3.00	21.7	1.65	2.10	72	79
65A x 20A	76.3	2.10	3.00	27.2	1.65	2.10	72	79
65A x 25A	76.3	2.10	3.00	34.0	1.65	2.8	72	79
65A x 32A	76.3	2.10	3.00	42.7	1.65	2.8	88	90
65A x 40A	76.3	2.10	3.00	48.6	1.65	2.8	88	90
65A x 50A	76.3	2.10	3.00	60.5	1.65	2.8	88	90
80A x 8A	89.1	2.10	3.00	13.8	1.20	1.65	61	77
80A x 10A	89.1	2.10	3.00	17.3	1.20	1.65	72	85
80A x 15A	89.1	2.10	3.00	21.7	1.65	2.10	72	85
80A x 20A	89.1	2.10	3.00	27.2	1.65	2.10	72	85
80A x 25A	89.1	2.10	3.00	34.0	1.65	2.80	72	85
80A x 32A	89.1	2.10	3.00	42.7	1.65	2.80	88	96
80A x 40A	89.1	2.10	3.00	48.6	1.65	2.80	88	96
80A x 50A	89.1	2.10	3.00	60.5	1.65	2.80	88	96
80A x 65A	89.1	2.10	3.00	76.3	2.10	3.00	103	103



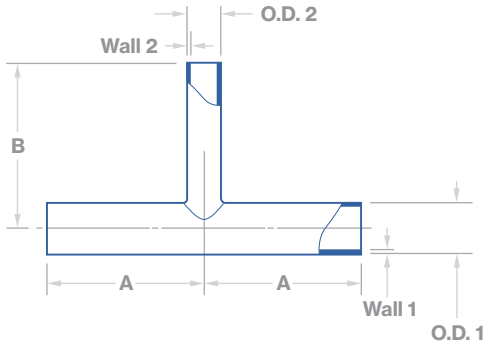
Reducing Tee

Valex Standard, JIS Pipe CONTINUED

CONFIGURATION
7R

Product Lines				
401 (EP)	LDEP (EP)	201 (BA-S)	101 (BA-S)	CFOS (BA/AP)
•				
•				
•		•	•	•
•		•	•	•
•	•	•	•	•
•	•	•	•	•
•	•	•	•	•
•	•	•	•	•
•	•	•	•	•
•	•	•	•	•
•	•	•	•	•
•	•	•	•	•
•	•	•	•	•
•	•	•	•	•
•	•	•	•	•
•	•	•	•	•
•	•	•	•	•
•	•	•	•	•
•	•	•	•	•
•	•	•	•	•
•	•	•	•	•
•	•	•	•	•
•	•	•	•	•
•	•	•	•	•
•	•	•	•	•
•	•	•	•	•
•	•	•	•	•
•	•	•	•	•
•	•	•	•	•
•	•	•	•	•
•	•	•	•	•
•	•	•	•	•
•	•	•	•	•
•	•	•	•	•
•	•	•	•	•
•	•	•	•	•
•	•	•	•	•

Dimensions in Millimeters								
Size	O.D. 1	5S Wall 1	10S Wall 1	O.D. 2	5S Wall 2	10S Wall 2	A	B
100A x 8A	114.3	2.10	3.00	13.8	1.20	1.65	61	90
100A x 10A	114.3	2.10	3.00	17.3	1.20	1.65	72	98
100A x 15A	114.3	2.10	3.00	21.7	1.65	2.10	72	98
100A x 20A	114.3	2.10	3.00	27.2	1.65	2.10	72	98
100A x 25A	114.3	2.10	3.00	34.0	1.65	2.80	72	98
100A x 32A	114.3	2.10	3.00	42.7	1.65	2.80	88	109
100A x 40A	114.3	2.10	3.00	48.6	1.65	2.80	88	109
100A x 50A	114.3	2.10	3.00	60.5	1.65	2.80	88	109
100A x 65A	114.3	2.10	3.00	76.3	2.10	3.00	116	116
100A x 80A	114.3	2.10	3.00	89.1	2.10	3.00	116	116
125A x 8A	139.8	2.80	3.40	13.8	1.20	1.65	80	110
125A x 10A	139.8	2.80	3.40	17.3	1.20	1.65	100	120
125A x 15A	139.8	2.80	3.40	21.7	1.65	2.10	100	120
125A x 20A	139.8	2.80	3.40	27.2	1.65	2.10	100	120
125A x 25A	139.8	2.80	3.40	34.0	1.65	2.80	100	120
125A x 32A	139.8	2.80	3.40	42.7	1.65	2.80	120	130
125A x 40A	139.8	2.80	3.40	48.6	1.65	2.80	120	130
125A x 50A	139.8	2.80	3.40	60.5	1.65	2.80	120	130
125A x 65A	139.8	2.80	3.40	76.3	2.10	3.00	140	140
125A x 80A	139.8	2.80	3.40	89.1	2.10	3.00	140	140
125A x 100A	139.8	2.80	3.40	114.3	2.10	3.00	140	140
150A x 8A	165.2	2.80	3.40	13.8	1.20	1.65	90	130
150A x 10A	165.2	2.80	3.40	17.3	1.20	1.65	110	140
150A x 15A	165.2	2.80	3.40	21.7	1.65	2.10	110	140
150A x 20A	165.2	2.80	3.40	27.2	1.65	2.10	110	140
150A x 25A	165.2	2.80	3.40	34.0	1.65	2.80	110	140
150A x 32A	165.2	2.80	3.40	42.7	1.65	2.80	130	150
150A x 40A	165.2	2.80	3.40	48.6	1.65	2.80	130	150
150A x 50A	165.2	2.80	3.40	60.5	1.65	2.80	130	150
150A x 65A	165.2	2.80	3.40	76.3	2.10	3.00	150	160
150A x 80A	165.2	2.80	3.40	89.1	2.10	3.00	150	160
150A x 100A	165.2	2.80	3.40	114.3	2.10	3.00	150	160
150A x 125A	165.2	2.80	3.40	139.8	2.80	3.40	170	170
200A x 8A	216.3	2.80	4.00	13.8	1.20	1.65	100	150
200A x 10A	216.3	2.80	4.00	17.3	1.20	1.65	120	160
200A x 15A	216.3	2.80	4.00	21.7	1.65	2.10	120	160
200A x 20A	216.3	2.80	4.00	27.2	1.65	2.10	120	160
200A x 25A	216.3	2.80	4.00	34.0	1.65	2.80	120	160
200A x 32A	216.3	2.80	4.00	42.7	1.65	2.80	140	170
200A x 40A	216.3	2.80	4.00	48.6	1.65	2.80	140	170
200A x 50A	216.3	2.80	4.00	60.5	1.65	2.80	140	170
200A x 65A	216.3	2.80	4.00	76.3	2.10	3.00	160	180
200A x 80A	216.3	2.80	4.00	89.1	2.10	3.00	160	180
200A x 100A	216.3	2.80	4.00	114.3	2.10	3.00	160	180
200A x 125A	216.3	2.80	4.00	139.8	2.80	3.40	180	190
200A x 150A	216.3	2.80	4.00	165.2	2.80	3.40	180	190



Reducing Tee

Valex Standard, JIS Pipe CONTINUED



Product Lines				
401 (EP)	LDEP (EP)	201 (BA-S)	101 (BA-S)	CFOS (BA/AP)
		•	•	•
		•	•	•
	•	•	•	•
	•	•	•	•
	•	•	•	•
	•	•	•	•
	•	•	•	•
	•	•	•	•
	•	•	•	•
	•	•	•	•
	•	•	•	•
	•	•	•	•
	•	•	•	•
	•	•	•	•
	•	•	•	•
	•	•	•	•
	•	•	•	•
	•	•	•	•
	•	•	•	•
	•	•	•	•
	•	•	•	•
	•	•	•	•
	•	•	•	•
	•	•	•	•
	•	•	•	•
	•	•	•	•
	•	•	•	•
	•	•	•	•
	•	•	•	•
	•	•	•	•
	•	•	•	•
	•	•	•	•
	•	•	•	•
	•	•	•	•
	•	•	•	•
	•	•	•	•
	•	•	•	•
	•	•	•	•
	•	•	•	•
	•	•	•	•
	•	•	•	•
	•	•	•	•
	•	•	•	•
	•	•	•	•

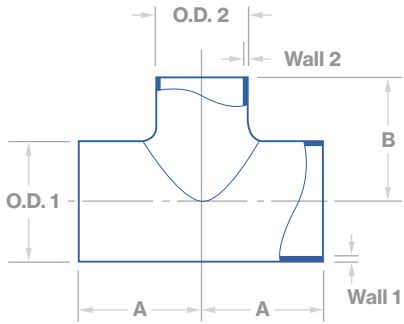
Dimensions in Millimeters								
Size	O.D. 1	5S Wall 1	10S Wall 1	O.D. 2	5S Wall 2	10S Wall 2	A	B
400A x 15A	406.4	4.50	5.00	21.7	1.65	2.10	180	270
400A x 20A	406.4	4.50	5.00	27.2	1.65	2.10	180	270
400A x 25A	406.4	4.50	5.00	34.0	1.65	2.80	180	270
400A x 32A	406.4	4.50	5.00	42.7	1.65	2.80	200	280
400A x 40A	406.4	4.50	5.00	48.6	1.65	2.80	200	280
400A x 50A	406.4	4.50	5.00	60.5	1.65	2.80	200	280
400A x 65A	406.4	4.50	5.00	76.3	2.10	3.00	230	280
400A x 80A	406.4	4.50	5.00	89.1	2.10	3.00	230	280
400A x 100A	406.4	4.50	5.00	114.3	2.10	3.00	230	280
400A x 125A	406.4	4.50	5.00	139.8	2.80	3.40	280	290
400A x 150A	406.4	4.50	5.00	165.2	2.80	3.40	280	290
400A x 200A	406.4	4.50	5.00	216.3	2.80	4.00	280	290
400A x 250A	406.4	4.50	5.00	267.4	3.40	4.00	280	290
400A x 300A	406.4	4.50	5.00	318.5	4.00	4.50	280	290
400A x 350A	406.4	4.50	5.00	355.6	4.00	5.00	300	300
450A x 15A	457.2	4.50	5.00	21.7	1.65	2.10	180	295
450A x 20A	457.2	4.50	5.00	27.2	1.65	2.10	180	295
450A x 25A	457.2	4.50	5.00	34.0	1.65	2.80	180	295
450A x 32A	457.2	4.50	5.00	42.7	1.65	2.80	200	310
450A x 40A	457.2	4.50	5.00	48.6	1.65	2.80	200	310
450A x 50A	457.2	4.50	5.00	60.5	1.65	2.80	200	310
450A x 65A	457.2	4.50	5.00	76.3	2.10	3.00	230	310
450A x 80A	457.2	4.50	5.00	89.1	2.10	3.00	230	310
450A x 100A	457.2	4.50	5.00	114.3	2.10	3.00	230	310
450A x 125A	457.2	4.50	5.00	139.8	2.80	3.40	280	320
450A x 150A	457.2	4.50	5.00	165.2	2.80	3.40	280	320
450A x 200A	457.2	4.50	5.00	216.3	2.80	4.00	280	320
450A x 250A	457.2	4.50	5.00	267.4	3.40	4.00	280	320
450A x 300A	457.2	4.50	5.00	318.5	4.00	4.50	280	320
450A x 350A	457.2	4.50	5.00	355.6	4.00	5.00	340	340
450A x 400A	457.2	4.50	5.00	406.4	4.50	5.00	340	340
500A x 15A	508.0	5.00	5.50	21.7	1.65	2.10	180	325
500A x 20A	508.0	5.00	5.50	27.2	1.65	2.10	180	325
500A x 25A	508.0	5.00	5.50	34.0	1.65	2.80	180	325
500A x 32A	508.0	5.00	5.50	42.7	1.65	2.80	200	340
500A x 40A	508.0	5.00	5.50	48.6	1.65	2.80	200	340
500A x 50A	508.0	5.00	5.50	60.5	1.65	2.80	200	340
500A x 65A	508.0	5.00	5.50	76.3	2.10	3.00	230	340
500A x 80A	508.0	5.00	5.50	89.1	2.10	3.00	230	340
500A x 100A	508.0	5.00	5.50	114.3	2.10	3.00	230	340
500A x 125A	508.0	5.00	5.50	139.8	2.80	3.40	280	360
500A x 150A	508.0	5.00	5.50	165.2	2.80	3.40	280	360
500A x 200A	508.0	5.00	5.50	216.3	2.80	4.00	280	360

CONFIGURATION
7R

Reducing Tee

Valex Standard, JIS Pipe CONTINUED

Product Lines					Dimensions in Millimeters								
401 (EP)	LDEP (EP)	201 (BA-S)	101 (BA-S)	CFOS (BA/AP)	Size	O.D. 1	5S Wall 1	10S Wall 1	O.D. 2	5S Wall 2	10S Wall 2	A	B
•	•	•	•	•	500A x 250A	508.0	5.00	5.50	267.4	3.40	4.00	280	360
•	•	•	•	•	500A x 300A	508.0	5.00	5.50	318.5	4.00	4.50	280	360
•	•	•	•	•	500A x 350A	508.0	5.00	5.50	355.6	4.00	5.00	380	380
•	•	•	•	•	500A x 400A	508.0	5.00	5.50	406.4	4.50	5.00	380	380
•	•	•	•	•	500A x 450A	508.0	5.00	5.50	457.2	4.50	5.00	380	380
		•	•	•	550A x 15A	558.8	5.00	5.50	21.7	1.65	2.10	180	350
		•	•	•	550A x 20A	558.8	5.00	5.50	27.2	1.65	2.10	180	350
•	•	•	•	•	550A x 25A	558.8	5.00	5.50	34.0	1.65	2.80	180	350
•	•	•	•	•	550A x 32A	558.8	5.00	5.50	42.7	1.65	2.80	200	380
•	•	•	•	•	550A x 40A	558.8	5.00	5.50	48.6	1.65	2.80	200	380
•	•	•	•	•	550A x 50A	558.8	5.00	5.50	60.5	1.65	2.80	200	380
•	•	•	•	•	550A x 65A	558.8	5.00	5.50	76.3	2.10	3.00	230	380
•	•	•	•	•	550A x 80A	558.8	5.00	5.50	89.1	2.10	3.00	230	380
•	•	•	•	•	550A x 100A	558.8	5.00	5.50	114.3	2.10	3.00	230	380
•	•	•	•	•	550A x 125A	558.8	5.00	5.50	139.8	2.80	3.40	280	400
•	•	•	•	•	550A x 150A	558.8	5.00	5.50	165.2	2.80	3.40	280	400
•	•	•	•	•	550A x 200A	558.8	5.00	5.50	216.3	2.80	4.00	280	400
•	•	•	•	•	550A x 250A	558.8	5.00	5.50	267.4	3.40	4.00	280	400
•	•	•	•	•	550A x 300A	558.8	5.00	5.50	318.5	4.00	4.50	280	400
•	•	•	•	•	550A x 350A	558.8	5.00	5.50	355.6	4.00	5.00	420	420
•	•	•	•	•	550A x 400A	558.8	5.00	5.50	406.4	4.50	5.00	420	420
•	•	•	•	•	550A x 450A	558.8	5.00	5.50	457.2	4.50	5.00	420	420
•	•	•	•	•	550A x 500A	558.8	5.00	5.50	508.0	5.00	5.50	420	420
		•	•	•	600A x 15A	609.6	5.50	6.50	21.7	1.65	2.10	180	375
		•	•	•	600A x 20A	609.6	5.50	6.50	27.2	1.65	2.10	180	375
•	•	•	•	•	600A x 25A	609.6	5.50	6.50	34.0	1.65	2.80	180	375
•	•	•	•	•	600A x 32A	609.6	5.50	6.50	42.7	1.65	2.80	200	390
•	•	•	•	•	600A x 40A	609.6	5.50	6.50	48.6	1.65	2.80	200	390
•	•	•	•	•	600A x 50A	609.6	5.50	6.50	60.5	1.65	2.80	200	390
•	•	•	•	•	600A x 65A	609.6	5.50	6.50	76.3	2.10	3.00	230	390
•	•	•	•	•	600A x 80A	609.6	5.50	6.50	89.1	2.10	3.00	230	390
•	•	•	•	•	600A x 100A	609.6	5.50	6.50	114.3	2.10	3.00	230	390
•	•	•	•	•	600A x 125A	609.6	5.50	6.50	139.8	2.80	3.40	280	410
•	•	•	•	•	600A x 150A	609.6	5.50	6.50	165.2	2.80	3.40	280	410
•	•	•	•	•	600A x 200A	609.6	5.50	6.50	216.3	2.80	4.00	280	410
•	•	•	•	•	600A x 250A	609.6	5.50	6.50	267.4	3.40	4.00	280	410
•	•	•	•	•	600A x 300A	609.6	5.50	6.50	318.5	4.00	4.50	280	410
•	•	•	•	•	600A x 350A	609.6	5.50	6.50	355.6	4.00	5.00	430	430
•	•	•	•	•	600A x 400A	609.6	5.50	6.50	406.4	4.50	5.00	430	430
•	•	•	•	•	600A x 450A	609.6	5.50	6.50	457.2	4.50	5.00	430	430
•	•	•	•	•	600A x 500A	609.6	5.50	6.50	508.0	5.00	5.50	430	430
•	•	•	•	•	600A x 550A	609.6	5.50	6.50	558.8	5.00	5.50	430	430



Reducing Tee

JIS B2312 / B2313 Standard, JIS Pipe

CONFIGURATION
7RS

Product Lines				
401 (EP)	LDEP (EP)	201 (BA-S)	101 (BA-S)	CFOS (BA/AP)
●		●	●	●
●		●	●	●
●		●	●	●
●		●	●	●
●		●	●	●
●	●	●	●	●
●		●	●	●
●		●	●	●
●	●	●	●	●
●	●	●	●	●
●	●	●	●	●
●	●	●	●	●
●	●	●	●	●
●	●	●	●	●
●	●	●	●	●
●	●	●	●	●
●	●	●	●	●
●	●	●	●	●
●	●	●	●	●
●	●	●	●	●
●	●	●	●	●
●	●	●	●	●
●	●	●	●	●
●	●	●	●	●
●	●	●	●	●
●	●	●	●	●
●	●	●	●	●
●	●	●	●	●
●	●	●	●	●
●	●	●	●	●
●	●	●	●	●
●	●	●	●	●
●	●	●	●	●
●	●	●	●	●

Dimensions in Millimeters								
Size	O.D. 1	5S Wall 1	10S Wall 1	O.D. 2	5S Wall 2	10S Wall 2	A	B
20A x 15A	27.2	1.65	2.10	21.7	1.65	2.10	28.6	28.6
25A x 15A	34.0	1.65	2.80	21.7	1.65	2.10	38.1	38.1
25A x 20A	34.0	1.65	2.80	27.2	1.65	2.10	38.1	38.1
32A x 15A	42.7	1.65	2.80	21.7	1.65	2.10	47.6	47.6
32A x 20A	42.7	1.65	2.80	27.2	1.65	2.10	47.6	47.6
32A x 25A	42.7	1.65	2.80	34.0	1.65	2.80	47.6	47.6
40A x 15A	48.6	1.65	2.80	21.7	1.65	2.10	57.2	57.2
40A x 20A	48.6	1.65	2.80	27.2	1.65	2.10	57.2	57.2
40A x 25A	48.6	1.65	2.80	34.0	1.65	2.80	57.2	57.2
40A x 32A	48.6	1.65	2.80	42.7	1.65	2.80	57.2	57.2
50A x 20A	60.5	1.65	2.80	27.2	1.65	2.10	63.5	44.5
50A x 25A	60.5	1.65	2.80	34.0	1.65	2.80	63.5	50.8
50A x 32A	60.5	1.65	2.80	42.7	1.65	2.80	63.5	57.2
50A x 40A	60.5	1.65	2.80	48.6	1.65	2.80	63.5	60.3
65A x 25A	76.3	2.10	3.00	34.0	1.65	2.80	76.2	57.2
65A x 32A	76.3	2.10	3.00	42.7	1.65	2.80	76.2	63.5
65A x 40A	76.3	2.10	3.00	48.6	1.65	2.80	76.2	66.7
65A x 50A	76.3	2.10	3.00	60.5	1.65	2.80	76.2	69.9
80A x 32A	89.1	2.10	3.00	42.7	1.65	2.80	85.7	69.9
80A x 40A	89.1	2.10	3.00	48.6	1.65	2.80	85.7	73.0
80A x 50A	89.1	2.10	3.00	60.5	1.65	2.80	85.7	76.2
80A x 65A	89.1	2.10	3.00	76.3	2.10	3.00	85.7	82.6
90A x 40A	101.6	2.10	3.00	48.6	1.65	2.80	95.3	79.4
90A x 50A	101.6	2.10	3.00	60.5	1.65	2.80	95.3	82.6
90A x 65A	101.6	2.10	3.00	76.3	2.10	3.00	95.3	88.9
90A x 80A	101.6	2.10	3.00	89.1	2.10	3.00	95.3	92.1
100A x 40A	114.3	2.10	3.00	48.6	1.65	2.80	104.8	85.7
100A x 50A	114.3	2.10	3.00	60.5	1.65	2.80	104.8	88.9
100A x 65A	114.3	2.10	3.00	76.3	2.10	3.00	104.8	95.3
100A x 80A	114.3	2.10	3.00	89.1	2.10	3.00	104.8	98.4
100A x 90A	114.3	2.10	3.00	101.6	2.10	3.00	104.8	101.6
125A x 50A	139.8	2.80	3.40	60.5	1.65	2.80	123.8	104.8
125A x 65A	139.8	2.80	3.40	76.3	2.10	3.00	123.8	108.0
125A x 80A	139.8	2.80	3.40	89.1	2.10	3.00	123.8	111.1
125A x 90A	139.8	2.80	3.40	101.6	2.10	3.00	123.8	114.3
125A x 100A	139.8	2.80	3.40	114.3	2.10	3.00	123.8	117.5
150A x 65A	165.2	2.80	3.40	76.3	2.10	3.00	142.9	120.7
150A x 80A	165.2	2.80	3.40	89.1	2.10	3.00	142.9	123.8
150A x 90A	165.2	2.80	3.40	101.6	2.10	3.00	142.9	127.0
150A x 100A	165.2	2.80	3.40	114.3	2.10	3.00	142.9	130.2
150A x 125A	165.2	2.80	3.40	139.8	2.80	3.40	142.9	136.5

CONFIGURATION
7RS

Reducing Tee

JIS B2312 / B2313 Standard, JIS Pipe CONTINUED

Product Lines					Dimensions in Millimeters								
401 (EP)	LDEP (EP)	201 (BA-S)	101 (BA-S)	CFOS (BA/AP)	Size	O.D. 1	5S Wall 1	10S Wall1	O.D. 2	5S Wall 2	10S Wall 2	A	B
●	●	●	●	●	200A x 90A	216.3	2.80	4.00	101.6	2.10	3.00	177.8	152.4
●	●	●	●	●	200A x 100A	216.3	2.80	4.00	114.3	2.10	3.00	177.8	155.6
●	●	●	●	●	200A x 125A	216.3	2.80	4.00	139.8	2.80	3.40	177.8	161.9
●	●	●	●	●	200A x 150A	216.3	2.80	4.00	165.2	2.80	3.40	177.8	168.3
●	●	●	●	●	250A x 100A	267.4	3.40	4.00	114.3	2.10	3.00	215.9	184.2
●	●	●	●	●	250A x 125A	267.4	3.40	4.00	139.8	2.80	3.40	215.9	190.5
●	●	●	●	●	250A x 150A	267.4	3.40	4.00	165.2	2.80	3.40	215.9	193.7
●	●	●	●	●	250A x 200A	267.4	3.40	4.00	216.3	2.80	4.00	215.9	203.2
●	●	●	●	●	300A x 125A	318.5	4.00	4.50	139.8	2.80	3.40	254.0	215.9
●	●	●	●	●	300A x 150A	318.5	4.00	4.50	165.2	2.80	3.40	254.0	219.1
●	●	●	●	●	300A x 200A	318.5	4.00	4.50	216.3	2.80	4.00	254.0	228.6
●	●	●	●	●	300A x 250A	318.5	4.00	4.50	267.4	3.40	4.00	254.0	241.3
	●	●	●	●	350A x 150A	355.6	4.00	5.00	165.2	2.80	3.40	279.4	238.1
	●	●	●	●	350A x 200A	355.6	4.00	5.00	216.3	2.80	4.00	279.4	247.7
	●	●	●	●	350A x 250A	355.6	4.00	5.00	267.4	3.40	4.00	279.4	257.2
	●	●	●	●	350A x 300A	355.6	4.00	5.00	318.5	4.00	4.50	279.4	269.9
	●	●	●	●	400A x 150A	406.4	4.50	5.00	165.2	2.80	3.40	304.8	263.5
	●	●	●	●	400A x 200A	406.4	4.50	5.00	216.3	2.80	4.00	304.8	273.1
	●	●	●	●	400A x 250A	406.4	4.50	5.00	267.4	3.40	4.00	304.8	282.6
	●	●	●	●	400A x 300A	406.4	4.50	5.00	318.5	4.00	4.50	304.8	295.3
	●	●	●	●	400A x 350A	406.4	4.50	5.00	355.6	4.00	5.00	304.8	304.8
	●	●	●	●	450A x 200A	457.2	4.50	5.00	216.3	2.80	4.00	342.9	298.5
	●	●	●	●	450A x 250A	457.2	4.50	5.00	267.4	3.40	4.00	342.9	308.0
	●	●	●	●	450A x 300A	457.2	4.50	5.00	318.5	4.00	4.50	342.9	320.7
	●	●	●	●	450A x 350A	457.2	4.50	5.00	355.6	4.00	5.00	342.9	330.2
	●	●	●	●	450A x 400A	457.2	4.50	5.00	406.4	4.50	5.00	342.9	330.2
	●	●	●	●	500A x 200A	508.0	5.00	5.50	216.3	2.80	4.00	381.0	323.9
	●	●	●	●	500A x 250A	508.0	5.00	5.50	267.4	3.40	4.00	381.0	333.4
	●	●	●	●	500A x 300A	508.0	5.00	5.50	318.5	4.00	4.50	381.0	346.1
	●	●	●	●	500A x 350A	508.0	5.00	5.50	355.6	4.00	5.00	381.0	355.6
	●	●	●	●	500A x 400A	508.0	5.00	5.50	406.4	4.50	5.00	381.0	355.6
	●	●	●	●	500A x 450A	508.0	5.00	5.50	457.2	4.50	5.00	381.0	368.3
	●	●	●	●	550A x 400A	558.8	5.00	5.50	406.4	4.50	5.00	419.1	381.0
	●	●	●	●	550A x 450A	558.8	5.00	5.50	457.2	4.50	5.00	419.1	393.7
	●	●	●	●	550A x 500A	558.8	5.00	5.50	508.0	5.00	5.50	419.1	406.4
	●	●	●	●	600A x 450A	609.6	5.50	6.50	457.2	4.50	5.00	431.8	419.1
	●	●	●	●	600A x 500A	609.6	5.50	6.50	508.0	5.00	5.50	431.8	431.8
	●	●	●	●	600A x 550A	609.6	5.50	6.50	558.8	5.00	5.50	431.8	431.8

Reducing Tee

JIS B2312 / B2313 Standard, JIS Pipe CONTINUED

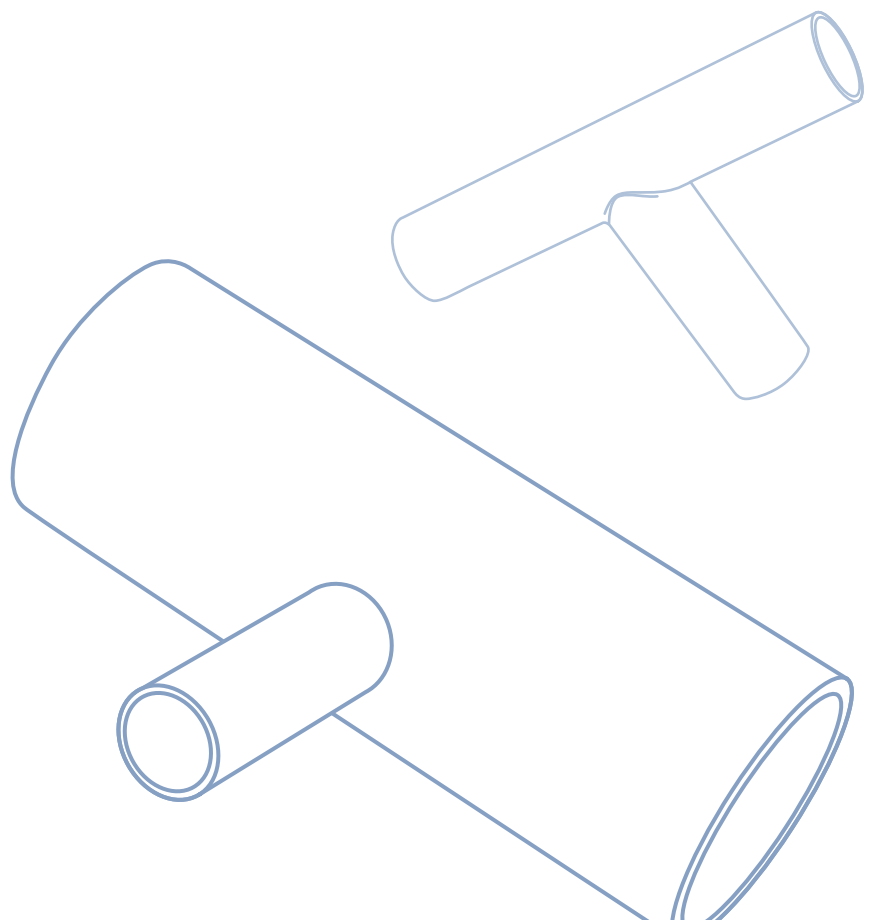


Product Lines

401 (EP)	LDEP (EP)	201 (BA-S)	101 (BA-S)	CFOS (BA/AP)
•			•	•
	•		•	•
•			•	•
	•		•	•
•			•	•
	•		•	•
•			•	•
	•		•	•
•			•	•
	•		•	•
•			•	•
	•		•	•
•			•	•
	•		•	•
•			•	•
	•		•	•

Dimensions in Millimeters

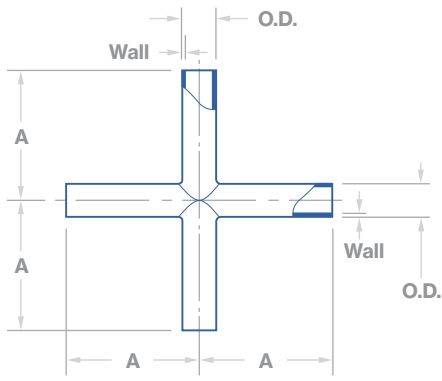
Size	O.D. 1	5S Wall 1	10S Wall1	O.D. 2	5S Wall 2	10S Wall 2	A	B
650A x 500A	660.4	5.50	8.00	508.0	5.00	5.50	495.3	457.2
650A x 550A	660.4	5.50	8.00	558.8	5.00	5.50	495.3	469.9
650A x 600A	660.4	5.50	8.00	609.6	5.50	6.50	495.3	482.6
700A x 550A	711.2	5.50	8.00	558.8	5.00	5.50	520.7	495.3
700A x 600A	711.2	5.50	8.00	609.6	5.50	6.50	520.7	508.0
700A x 650A	711.2	5.50	8.00	660.4	5.50	8.00	520.7	520.7
750A x 600A	762.0	6.50	8.00	609.6	5.50	6.50	558.8	533.4
750A x 650A	762.0	6.50	8.00	660.4	5.50	8.00	558.8	546.1
750A x 700A	762.0	6.50	8.00	711.2	5.50	8.00	558.8	546.1
800A x 650A	812.8	N/A	8.00	660.4	5.50	8.00	596.9	571.5
800A x 700A	812.8	N/A	8.00	711.2	5.50	8.00	596.9	571.5
800A x 750A	812.8	N/A	8.00	762.0	6.50	8.00	596.9	584.2



Crosses

- Equal Crosses





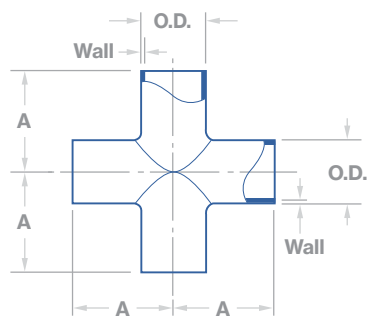
Equal Cross

Valex Standard, ASTM Tube

CONFIGURATION **9**

Product Lines		
401 (EP)	201 (BA-S)	222 (BA-S)
●	●	●
●	●	●
●	●	●
●	●	●
●	●	●
●	●	●
●	●	●
●	●	●
●	●	●
●	●	●
●	●	●

Dimensions in Inches			
Size	O.D.	Wall	A
1/4" x 1/4"	.250	.035 / .039	1.750
3/8" x 3/8"	.375	.035 / .039	1.750
1/2" x 1/2"	.500	.049	2.125
3/4" x 3/4"	.750	.065	2.125
1" x 1"	1.000	.065	2.500
1-1/2" x 1-1/2"	1.500	.065	2.750
2" x 2"	2.000	.065	3.250
2-1/2" x 2-1/2"	2.500	.065	3.500
3" x 3"	3.000	.065	5.500
4" x 4"	4.000	.083	6.000
6" x 6"	6.000	.109	10.625



Equal Cross

ASME B16.9 Standard, ASME Pipe

CONFIGURATION **9**

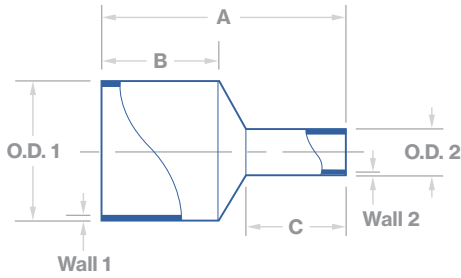
Product Lines	
LDEP (EP)	CFOS (BA/AP)
●	●
●	●
●	●
●	●
●	●
●	●
●	●
●	●
●	●
●	●
●	●
●	●
●	●
●	●
●	●
●	●
●	●
●	●
●	●
●	●
●	●
●	●
●	●
●	●
●	●
●	●
●	●
●	●
●	●
●	●
●	●
●	●

Dimensions in Inches				
Size	Sch.	O.D.	Wall	A
NPS 1/2 x NPS 1/2	10S x 10S	.84	.083	1.00
NPS 3/4 x NPS 3/4	10S x 10S	1.05	.083	1.12
NPS 1 x NPS 1	10S x 10S	1.32	.109	1.50
NPS 1-1/4 x NPS 1-1/4	10S x 10S	1.66	.109	1.88
NPS 1-1/2 x NPS 1-1/2	10S x 10S	1.90	.109	2.25
NPS 2 x NPS 2	10S x 10S	2.38	.109	2.50
NPS 2-1/2 x NPS 2-1/2	10S x 10S	2.88	.120	3.00
NPS 3 x NPS 3	10S x 10S	3.50	.120	3.38
NPS 3-1/2 x NPS 3-1/2	10S x 10S	4.00	.120	3.75
NPS 4 x NPS 4	10S x 10S	4.50	.120	4.12
NPS 5 x NPS 5	10S x 10S	5.56	.134	4.88
NPS 6 x NPS 6	10S x 10S	6.62	.134	5.62
NPS 8 x NPS 8	10S x 10S	8.62	.148	7.00
NPS 10 x NPS 10	10S x 10S	10.75	.165	8.50
NPS 12 x NPS 12	10S x 10S	12.75	.180	10.00
NPS 14 x NPS 14	10S x 10S	14.00	.188	11.00
NPS 16 x NPS 16	10S x 10S	16.00	.188	12.00
NPS 18 x NPS 18	10S x 10S	18.00	.188	13.50
NPS 20 x NPS 20	10S x 10S	20.00	.218	15.00
NPS 22 x NPS 22	10S x 10S	22.00	.218	16.50
NPS 24 x NPS 24	10S x 10S	24.00	.250	17.00

Reducers

- Concentric Reducers
- Cap Reducers





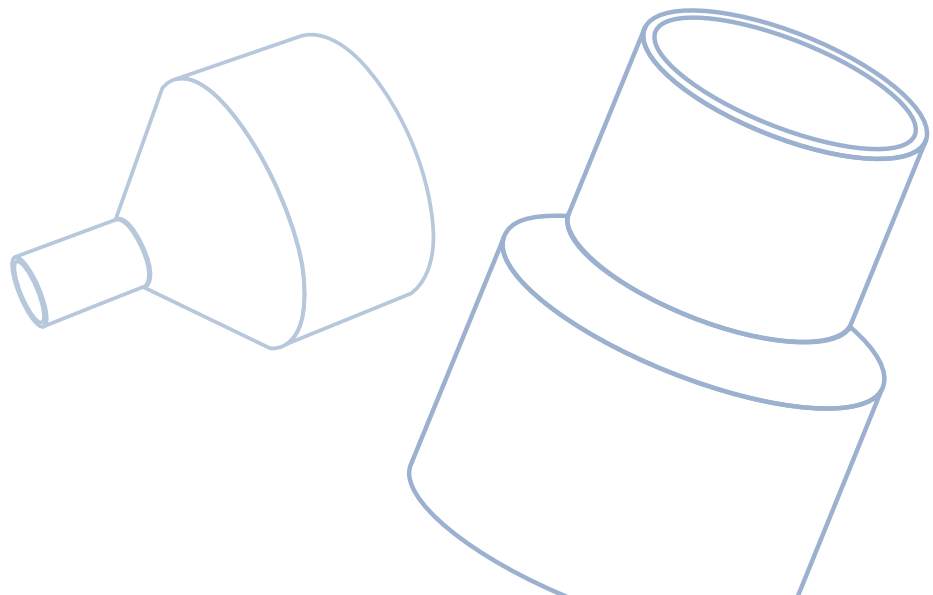
Concentric Reducer, Short

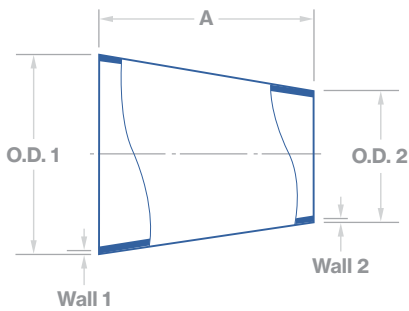
Valex Standard, ASTM Tube

 CONFIGURATION
31S

Product Lines		
401 (EP)	201 (BA-S)	222 (BA-S)
●	●	●
●	●	●
●	●	●
●	●	●
●	●	●
●	●	●
●	●	●
●	●	●
●	●	●
●	●	●
●	●	●
●	●	●
●	●	●
●	●	●
●	●	●
●	●	●
●	●	●
●	●	●
●	●	●
●	●	●
●	●	●
●	●	●

Dimensions in Inches							
Size	O.D. 1	Wall 1	O.D. 2	Wall 2	A	B	C
3/8" x 1/4"	.375	.035 / .039	.250	.035 / .039	1.500	.73	.73
1/2" x 1/4"	.500	.049	.250	.035 / .039	1.500	.70	.73
1/2" x 3/8"	.500	.049	.375	.035 / .039	1.500	.73	.73
3/4" x 1/4"	.750	.065	.250	.035 / .039	2.000	.96	.90
3/4" x 3/8"	.750	.065	.375	.035 / .039	2.000	.96	.93
3/4" x 1/2"	.750	.065	.500	.049	2.000	.96	.97
1" x 1/4"	1.000	.065	.250	.035 / .039	2.000	.98	.80
1" x 3/8"	1.000	.065	.375	.035 / .039	2.000	.98	.84
1" x 1/2"	1.000	.065	.500	.049	2.000	.98	.88
1" x 3/4"	1.000	.065	.750	.065	2.000	.98	.95
1-1/2" x 1/4"	1.500	.065	.250	.035 / .039	2.250	.98	.91
1-1/2" x 3/8"	1.500	.065	.375	.035 / .039	2.250	.98	.95
1-1/2" x 1/2"	1.500	.065	.500	.049	2.250	.98	.98
1-1/2" x 3/4"	1.500	.065	.750	.065	2.250	.98	1.05
1-1/2" x 1"	1.500	.065	1.000	.065	2.250	1.00	1.11
2" x 1/4"	2.000	.065	.250	.035 / .039	2.500	1.00	1.00
2" x 3/8"	2.000	.065	.375	.035 / .039	2.500	1.00	1.03
2" x 1/2"	2.000	.065	.500	.049	2.500	1.00	1.07
2" x 3/4"	2.000	.065	.750	.065	2.500	1.00	1.14
2" x 1"	2.000	.065	1.000	.065	3.375	1.00	1.00
2" x 1-1/2"	2.000	.065	1.500	.065	2.500	1.00	1.00





Concentric Reducer

ASME B16.9 Standard, ASME Pipe

CONFIGURATION
31

Product Lines

LDEP (EP)	CFOS (BA/AP)
	●
	●
	●
	●
	●
	●
	●
	●
	●
	●
	●
	●
	●
●	●
	●
	●
●	●
●	●
	●
	●
●	●
●	●
	●
	●
●	●
●	●
	●
	●
●	●
●	●
	●
	●
●	●
●	●

Dimensions in Inches

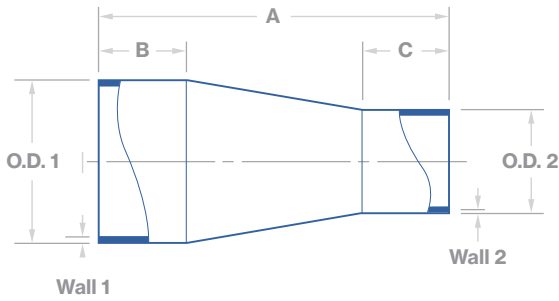
Size	Sch.	O.D. 1	Wall 1	O.D. 2	Wall 2	A
NPS 3/4 x NPS 1/2	10S x 10S	1.05	.083	.84	.083	1.50
NPS 1 x NPS 1/2	10S x 10S	1.32	.109	.84	.083	2.00
NPS 1 x NPS 3/4	10S x 10S	1.32	.109	1.05	.083	2.00
NPS 1-1/4 x NPS 1/2	10S x 10S	1.66	.109	.84	.083	2.00
NPS 1-1/4 x NPS 3/4	10S x 10S	1.66	.109	1.05	.083	2.00
NPS 1-1/4 x NPS 1	10S x 10S	1.66	.109	1.32	.109	2.00
NPS 1-1/2 x NPS 1/2	10S x 10S	1.90	.109	.84	.083	2.50
NPS 1-1/2 x NPS 3/4	10S x 10S	1.90	.109	1.05	.083	2.50
NPS 1-1/2 x NPS 1	10S x 10S	1.90	.109	1.32	.109	2.50
NPS 1-1/2 x NPS 1-1/4	10S x 10S	1.90	.109	1.66	.109	2.50
NPS 2 x NPS 3/4	10S x 10S	2.38	.109	1.05	.083	3.00
NPS 2 x NPS 1	10S x 10S	2.38	.109	1.32	.109	3.00
NPS 2 x NPS 1-1/4	10S x 10S	2.38	.109	1.66	.109	3.00
NPS 2 x NPS 1-1/2	10S x 10S	2.38	.109	1.90	.109	3.00
NPS 2-1/2 x NPS 1	10S x 10S	2.88	.120	1.32	.109	3.50
NPS 2-1/2 x NPS 1-1/4	10S x 10S	2.88	.120	1.66	.109	3.50
NPS 2-1/2 x NPS 1-1/2	10S x 10S	2.88	.120	1.90	.109	3.50
NPS 2-1/2 x NPS 2	10S x 10S	2.88	.120	2.38	.109	3.50
NPS 3 x NPS 1-1/4	10S x 10S	3.50	.120	1.66	.109	3.50
NPS 3 x NPS 1-1/2	10S x 10S	3.50	.120	1.90	.109	3.50
NPS 3 x NPS 2	10S x 10S	3.50	.120	2.38	.109	3.50
NPS 3 x NPS 2-1/2	10S x 10S	3.50	.120	2.88	.120	3.50
NPS 3-1/2 x NPS 1-1/4	10S x 10S	4.00	.120	1.66	.109	4.00
NPS 3-1/2 x NPS 1-1/2	10S x 10S	4.00	.120	1.90	.109	4.00
NPS 3-1/2 x NPS 2	10S x 10S	4.00	.120	2.38	.109	4.00
NPS 3-1/2 x NPS 2-1/2	10S x 10S	4.00	.120	2.88	.120	4.00
NPS 3-1/2 x NPS 3	10S x 10S	4.00	.120	3.50	.120	4.00
NPS 4 x NPS 1-1/2	10S x 10S	4.50	.120	1.90	.109	4.00
NPS 4 x NPS 2	10S x 10S	4.50	.120	2.38	.109	4.00
NPS 4 x NPS 2-1/2	10S x 10S	4.50	.120	2.88	.120	4.00
NPS 4 x NPS 3	10S x 10S	4.50	.120	3.50	.120	4.00
NPS 4 x NPS 3-1/2	10S x 10S	4.50	.120	4.00	.120	4.00
NPS 5 x NPS 2	10S x 10S	5.56	.134	2.38	.109	5.00
NPS 5 x NPS 2-1/2	10S x 10S	5.56	.134	2.88	.120	5.00
NPS 5 x NPS 3	10S x 10S	5.56	.134	3.50	.120	5.00
NPS 5 x NPS 3-1/2	10S x 10S	5.56	.134	4.00	.120	5.00
NPS 5 x NPS 4	10S x 10S	5.56	.134	4.50	.120	5.00
NPS 6 x NPS 2-1/2	10S x 10S	6.62	.134	2.88	.120	5.50
NPS 6 x NPS 3	10S x 10S	6.62	.134	3.50	.120	5.50
NPS 6 x NPS 3-1/2	10S x 10S	6.62	.134	4.00	.120	5.50
NPS 6 x NPS 4	10S x 10S	6.62	.134	4.50	.120	5.50
NPS 6 x NPS 5	10S x 10S	6.62	.134	5.56	.134	5.50

CONFIGURATION
31

Concentric Reducer

ASME B16.9 Standard, ASME Pipe CONTINUED

Product Lines		Dimensions in Inches						
LDEP (EP)	CFOS (BA/AP)	Size	Sch.	O.D. 1	Wall 1	O.D. 2	Wall 2	A
•	•	NPS 8 x NPS 3-1/2	10S x 10S	8.62	.148	4.00	.120	6.00
•	•	NPS 8 x NPS 4	10S x 10S	8.62	.148	4.50	.120	6.00
•	•	NPS 8 x NPS 5	10S x 10S	8.62	.148	5.56	.134	6.00
•	•	NPS 8 x NPS 6	10S x 10S	8.62	.148	6.62	.134	6.00
•	•	NPS 10 x NPS 4	10S x 10S	10.75	.165	4.50	.120	7.00
•	•	NPS 10 x NPS 5	10S x 10S	10.75	.165	5.56	.134	7.00
•	•	NPS 10 x NPS 6	10S x 10S	10.75	.165	6.62	.134	7.00
•	•	NPS 10 x NPS 8	10S x 10S	10.75	.165	8.62	.148	7.00
•	•	NPS 12 x NPS 5	10S x 10S	12.75	.180	5.56	.134	8.00
•	•	NPS 12 x NPS 6	10S x 10S	12.75	.180	6.62	.134	8.00
•	•	NPS 12 x NPS 8	10S x 10S	12.75	.180	8.62	.148	8.00
•	•	NPS 12 x NPS 10	10S x 10S	12.75	.180	10.75	.165	8.00
•	•	NPS 14 x NPS 6	10S x 10S	14.00	.188	6.62	.134	13.00
•	•	NPS 14 x NPS 8	10S x 10S	14.00	.188	8.62	.148	13.00
•	•	NPS 14 x NPS 10	10S x 10S	14.00	.188	10.75	.165	13.00
•	•	NPS 14 x NPS 12	10S x 10S	14.00	.188	12.75	.180	13.00
•	•	NPS 16 x NPS 8	10S x 10S	16.00	.188	8.62	.148	14.00
•	•	NPS 16 x NPS 10	10S x 10S	16.00	.188	10.75	.165	14.00
•	•	NPS 16 x NPS 12	10S x 10S	16.00	.188	12.75	.180	14.00
•	•	NPS 16 x NPS 14	10S x 10S	16.00	.188	14.00	.188	14.00
•	•	NPS 18 x NPS 10	10S x 10S	18.00	.188	10.75	.165	15.00
•	•	NPS 18 x NPS 12	10S x 10S	18.00	.188	12.75	.180	15.00
•	•	NPS 18 x NPS 14	10S x 10S	18.00	.188	14.00	.188	15.00
•	•	NPS 18 x NPS 16	10S x 10S	18.00	.188	16.00	.188	15.00
•	•	NPS 20 x NPS 12	10S x 10S	20.00	.218	12.75	.180	20.00
•	•	NPS 20 x NPS 14	10S x 10S	20.00	.218	14.00	.188	20.00
•	•	NPS 20 x NPS 16	10S x 10S	20.00	.218	16.00	.188	20.00
•	•	NPS 20 x NPS 18	10S x 10S	20.00	.218	18.00	.188	20.00
•	•	NPS 22 x NPS 14	10S x 10S	22.00	.218	14.00	.188	20.00
•	•	NPS 22 x NPS 16	10S x 10S	22.00	.218	16.00	.188	20.00
•	•	NPS 22 x NPS 18	10S x 10S	22.00	.218	18.00	.188	20.00
•	•	NPS 22 x NPS 20	10S x 10S	22.00	.218	20.00	.218	20.00
•	•	NPS 24 x NPS 16	10S x 10S	24.00	.250	16.00	.188	20.00
•	•	NPS 24 x NPS 18	10S x 10S	24.00	.250	18.00	.188	20.00
•	•	NPS 24 x NPS 20	10S x 10S	24.00	.250	20.00	.218	20.00
•	•	NPS 24 x NPS 22	10S x 10S	24.00	.250	22.00	.218	20.00



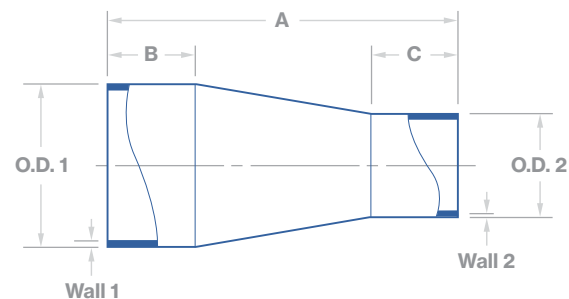
Concentric Reducer

Valex Standard, JIS Pipe

CONFIGURATION
31

Product Lines				
401 (EP)	LDEP (EP)	201 (BA-S)	101 (BA-S)	CFOS (BA/AP)
•				
•				
•				
•				
•				
•		•	•	•
•				
•				
•		•	•	•
•		•	•	•
•	•	•	•	•
•				
•				
•		•	•	•
•		•	•	•
•	•	•	•	•
•	•	•	•	•
•	•	•	•	•
•	•	•	•	•
•				
•				
•		•	•	•
•		•	•	•
•	•	•	•	•
•	•	•	•	•
•	•	•	•	•
•	•	•	•	•
•				
•				
•		•	•	•
•		•	•	•
•	•	•	•	•
•	•	•	•	•
•	•	•	•	•
•	•	•	•	•
•	•	•	•	•
•	•	•	•	•
•	•	•	•	•
•	•	•	•	•
•	•	•	•	•
•	•	•	•	•

Dimensions in Millimeters									
Size	O.D. 1	5S Wall 1	10S Wall 1	O.D. 2	5S Wall 2	10S Wall 2	A	B	C
10A x 8A	17.3	1.20	1.65	13.8	1.20	1.65	90	36	29
15A x 8A	21.7	1.65	2.10	13.8	1.20	1.65	100	36	29
15A x 10A	21.7	1.65	2.10	17.3	1.20	1.65	100	36	36
20A x 8A	27.2	1.65	2.10	13.8	1.20	1.65	105	36	29
20A x 10A	27.2	1.65	2.10	17.3	1.20	1.65	105	36	36
20A x 15A	27.2	1.65	2.10	21.7	1.65	2.10	105	36	36
25A x 8A	34.0	1.65	2.80	13.8	1.20	1.65	120	36	29
25A x 10A	34.0	1.65	2.80	17.3	1.20	1.65	120	36	36
25A x 15A	34.0	1.65	2.80	21.7	1.65	2.10	120	36	36
25A x 20A	34.0	1.65	2.80	27.2	1.65	2.10	120	36	36
32A x 8A	42.7	1.65	2.80	13.8	1.20	1.65	125	46	29
32A x 10A	42.7	1.65	2.80	17.3	1.20	1.65	125	46	36
32A x 15A	42.7	1.65	2.80	21.7	1.65	2.10	125	46	36
32A x 20A	42.7	1.65	2.80	27.2	1.65	2.10	125	46	36
32A x 25A	42.7	1.65	2.80	34.0	1.65	2.80	125	46	36
40A x 8A	48.6	1.65	2.80	13.8	1.20	1.65	130	46	29
40A x 10A	48.6	1.65	2.80	17.3	1.20	1.65	130	46	36
40A x 15A	48.6	1.65	2.80	21.7	1.65	2.10	130	46	36
40A x 20A	48.6	1.65	2.80	27.2	1.65	2.10	130	46	36
40A x 25A	48.6	1.65	2.80	34.0	1.65	2.80	130	46	36
40A x 32A	48.6	1.65	2.80	42.7	1.65	2.80	130	46	46
50A x 8A	60.5	1.65	2.80	13.8	1.20	1.65	140	46	29
50A x 10A	60.5	1.65	2.80	17.3	1.20	1.65	140	46	36
50A x 15A	60.5	1.65	2.80	21.7	1.65	2.10	140	46	36
50A x 20A	60.5	1.65	2.80	27.2	1.65	2.10	140	46	36
50A x 25A	60.5	1.65	2.80	34.0	1.65	2.80	140	46	36
50A x 32A	60.5	1.65	2.80	42.7	1.65	2.80	140	46	46
50A x 40A	60.5	1.65	2.80	48.6	1.65	2.80	140	46	46
65A x 8A	76.3	2.10	3.00	13.8	1.20	1.65	165	51	29
65A x 10A	76.3	2.10	3.00	17.3	1.20	1.65	165	51	36
65A x 15A	76.3	2.10	3.00	21.7	1.65	2.10	165	51	36
65A x 20A	76.3	2.10	3.00	27.2	1.65	2.10	165	51	36
65A x 25A	76.3	2.10	3.00	34.0	1.65	2.80	165	51	36
65A x 32A	76.3	2.10	3.00	42.7	1.65	2.80	165	51	46
65A x 40A	76.3	2.10	3.00	48.6	1.65	2.80	165	51	46
65A x 50A	76.3	2.10	3.00	60.5	1.65	2.80	165	51	46
80A x 8A	89.1	2.10	3.00	13.8	1.20	1.65	170	51	29
80A x 10A	89.1	2.10	3.00	17.3	1.20	1.65	170	51	36
80A x 15A	89.1	2.10	3.00	21.7	1.65	2.10	170	51	36
80A x 20A	89.1	2.10	3.00	27.2	1.65	2.10	170	51	36
80A x 25A	89.1	2.10	3.00	34.0	1.65	2.80	170	51	36
80A x 32A	89.1	2.10	3.00	42.7	1.65	2.80	170	51	46
80A x 40A	89.1	2.10	3.00	48.6	1.65	2.80	170	51	46
80A x 50A	89.1	2.10	3.00	60.5	1.65	2.80	170	51	46



31

Concentric Reducer

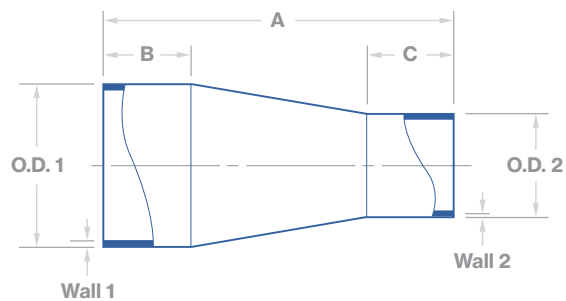
Valex Standard, JIS Pipe CONTINUED

Product Lines

401 (EP)	LDEP (EP)	201 (BA-S)	101 (BA-S)	CFOS (BA/AP)
•	•	•	•	•
•				
•		•	•	•
•		•	•	•
•	•	•	•	•
•	•	•	•	•
•	•	•	•	•
•	•	•	•	•
•	•	•	•	•
•	•	•	•	•
•				
•				
•	•	•	•	•
•	•	•	•	•
•	•	•	•	•
•	•	•	•	•
•	•	•	•	•
•	•	•	•	•
•	•	•	•	•
•	•	•	•	•
•	•	•	•	•
•	•	•	•	•
•	•	•	•	•
•	•	•	•	•
•	•	•	•	•
•	•	•	•	•
•	•	•	•	•
•	•	•	•	•
•	•	•	•	•
•	•	•	•	•
•	•	•	•	•
•	•	•	•	•
•	•	•	•	•
•	•	•	•	•
•	•	•	•	•
•	•	•	•	•
•	•	•	•	•
•	•	•	•	•
•	•	•	•	•
•	•	•	•	•
•	•	•	•	•

Dimensions in Millimeters

Size	O.D. 1	5S Wall 1	10S Wall 1	O.D. 2	5S Wall 2	10S Wall 2	A	B	C
80A x 65A	89.1	2.10	3.00	76.3	2.10	3.00	170	51	51
100A x 8A	114.3	2.10	3.00	13.8	1.20	1.65	180	51	29
100A x 10A	114.3	2.10	3.00	17.3	1.20	1.65	180	51	36
100A x 15A	114.3	2.10	3.00	21.7	1.65	2.10	180	51	36
100A x 20A	114.3	2.10	3.00	27.2	1.65	2.10	180	51	36
100A x 25A	114.3	2.10	3.00	34.0	1.65	2.80	180	51	36
100A x 32A	114.3	2.10	3.00	42.7	1.65	2.80	180	51	46
100A x 40A	114.3	2.10	3.00	48.6	1.65	2.80	180	51	46
100A x 50A	114.3	2.10	3.00	60.5	1.65	2.80	180	51	46
100A x 65A	114.3	2.10	3.00	76.3	2.10	3.00	180	51	51
100A x 80A	114.3	2.10	3.00	89.1	2.10	3.00	180	51	51
125A x 8A	139.8	2.80	3.40	13.8	1.20	1.65	250	56	29
125A x 10A	139.8	2.80	3.40	17.3	1.20	1.65	250	56	36
125A x 15A	139.8	2.80	3.40	21.7	1.65	2.10	250	56	36
125A x 20A	139.8	2.80	3.40	27.2	1.65	2.10	250	56	36
125A x 25A	139.8	2.80	3.40	34.0	1.65	2.80	250	56	36
125A x 32A	139.8	2.80	3.40	42.7	1.65	2.80	250	56	46
125A x 40A	139.8	2.80	3.40	48.6	1.65	2.80	250	56	46
125A x 50A	139.8	2.80	3.40	60.5	1.65	2.80	250	56	46
125A x 65A	139.8	2.80	3.40	76.3	2.10	3.00	250	56	51
125A x 80A	139.8	2.80	3.40	89.1	2.10	3.00	250	56	51
125A x 100A	139.8	2.80	3.40	114.3	2.10	3.00	250	56	51
150A x 8A	165.2	2.80	3.40	13.8	1.20	1.65	260	56	29
150A x 10A	165.2	2.80	3.40	17.3	1.20	1.65	260	56	36
150A x 15A	165.2	2.80	3.40	21.7	1.65	2.10	260	56	36
150A x 20A	165.2	2.80	3.40	27.2	1.65	2.10	260	56	36
150A x 25A	165.2	2.80	3.40	34.0	1.65	2.80	260	56	36
150A x 32A	165.2	2.80	3.40	42.7	1.65	2.80	260	56	46
150A x 40A	165.2	2.80	3.40	48.6	1.65	2.80	260	56	46
150A x 50A	165.2	2.80	3.40	60.5	1.65	2.80	260	56	46
150A x 65A	165.2	2.80	3.40	76.3	2.10	3.00	260	56	51
150A x 80A	165.2	2.80	3.40	89.1	2.10	3.00	260	56	51
150A x 100A	165.2	2.80	3.40	114.3	2.10	3.00	260	56	51
150A x 125A	165.2	2.80	3.40	139.8	2.80	3.40	260	56	56
200A x 8A	216.3	2.80	4.00	13.8	1.20	1.65	280	56	29
200A x 10A	216.3	2.80	4.00	17.3	1.20	1.65	280	56	36
200A x 15A	216.3	2.80	4.00	21.7	1.65	2.10	280	56	36
200A x 20A	216.3	2.80	4.00	27.2	1.65	2.10	280	56	36
200A x 25A	216.3	2.80	4.00	34.0	1.65	2.80	280	56	36
200A x 32A	216.3	2.80	4.00	42.7	1.65	2.80	280	56	46
200A x 40A	216.3	2.80	4.00	48.6	1.65	2.80	280	56	46
200A x 50A	216.3	2.80	4.00	60.5	1.65	2.80	280	56	46
200A x 65A	216.3	2.80	4.00	76.3	2.10	3.00	280	56	51
200A x 80A	216.3	2.80	4.00	89.1	2.10	3.00	280	56	51



CONFIGURATION
31

Concentric Reducer

Valex Standard, JIS Pipe CONTINUED

Product Lines

401 (EP)	LDEP (EP)	201 (BA-S)	101 (BA-S)	CFOS (BA/AP)
●	●	●	●	●
●	●	●	●	●
		●	●	●
		●	●	●
●	●	●	●	●
●	●	●	●	●
●	●	●	●	●
●	●	●	●	●
●	●	●	●	●
●	●	●	●	●
●	●	●	●	●
●	●	●	●	●
●	●	●	●	●
●	●	●	●	●
●	●	●	●	●
●	●	●	●	●
●	●	●	●	●
●	●	●	●	●
●	●	●	●	●
●	●	●	●	●
●	●	●	●	●
●	●	●	●	●
●	●	●	●	●
●	●	●	●	●
●	●	●	●	●
●	●	●	●	●
●	●	●	●	●
●	●	●	●	●
●	●	●	●	●
●	●	●	●	●
●	●	●	●	●
●	●	●	●	●
●	●	●	●	●
●	●	●	●	●
●	●	●	●	●
●	●	●	●	●
●	●	●	●	●
●	●	●	●	●
●	●	●	●	●
●	●	●	●	●
●	●	●	●	●
●	●	●	●	●
●	●	●	●	●
●	●	●	●	●
●	●	●	●	●
●	●	●	●	●
●	●	●	●	●
●	●	●	●	●
●	●	●	●	●
●	●	●	●	●
●	●	●	●	●
●	●	●	●	●
●	●	●	●	●
●	●	●	●	●
●	●	●	●	●
●	●	●	●	●
●	●	●	●	●
●	●	●	●	●

Dimensions in Millimeters

Size	O.D. 1	5S Wall 1	10S Wall 1	O.D. 2	5S Wall 2	10S Wall 2	A	B	C
350A x 250A	355.6	4.00	5.00	267.4	3.40	4.00	455	60	60
350A x 300A	355.6	4.00	5.00	318.5	4.00	4.50	455	60	60
400A x 15A	406.4	4.50	5.00	21.7	1.65	2.10	480	65	36
400A x 20A	406.4	4.50	5.00	27.2	1.65	2.10	480	65	36
400A x 25A	406.4	4.50	5.00	34.0	1.65	2.80	480	65	36
400A x 32A	406.4	4.50	5.00	42.7	1.65	2.80	480	65	46
400A x 40A	406.4	4.50	5.00	48.6	1.65	2.80	480	65	46
400A x 50A	406.4	4.50	5.00	60.5	1.65	2.80	480	65	46
400A x 65A	406.4	4.50	5.00	76.3	2.10	3.00	480	65	51
400A x 80A	406.4	4.50	5.00	89.1	2.10	3.00	480	65	51
400A x 100A	406.4	4.50	5.00	114.3	2.10	3.00	480	65	51
400A x 125A	406.4	4.50	5.00	139.8	2.80	3.40	480	65	56
400A x 150A	406.4	4.50	5.00	165.2	2.80	3.40	480	65	56
400A x 200A	406.4	4.50	5.00	216.3	2.80	4.00	480	65	56
400A x 250A	406.4	4.50	5.00	267.4	3.40	4.00	480	65	60
400A x 300A	406.4	4.50	5.00	318.5	4.00	4.50	480	65	60
400A x 350A	406.4	4.50	5.00	355.6	4.00	5.00	480	65	60
450A x 15A	457.2	4.50	5.00	21.7	1.65	2.10	505	65	36
450A x 20A	457.2	4.50	5.00	27.2	1.65	2.10	505	65	36
450A x 25A	457.2	4.50	5.00	34.0	1.65	2.80	505	65	36
450A x 32A	457.2	4.50	5.00	42.7	1.65	2.80	505	65	46
450A x 40A	457.2	4.50	5.00	48.6	1.65	2.80	505	65	46
450A x 50A	457.2	4.50	5.00	60.5	1.65	2.80	505	65	46
450A x 65A	457.2	4.50	5.00	76.3	2.10	3.00	505	65	51
450A x 80A	457.2	4.50	5.00	89.1	2.10	3.00	505	65	51
450A x 100A	457.2	4.50	5.00	114.3	2.10	3.00	505	65	51
450A x 125A	457.2	4.50	5.00	139.8	2.80	3.40	505	65	56
450A x 150A	457.2	4.50	5.00	165.2	2.80	3.40	505	65	56
450A x 200A	457.2	4.50	5.00	216.3	2.80	4.00	505	65	56
450A x 250A	457.2	4.50	5.00	267.4	3.40	4.00	505	65	60
450A x 300A	457.2	4.50	5.00	318.5	4.00	4.50	505	65	60
450A x 350A	457.2	4.50	5.00	355.6	4.00	5.00	505	65	60
450A x 400A	457.2	4.50	5.00	406.4	4.50	5.00	505	65	65
500A x 15A	508.0	5.00	5.50	21.7	1.65	2.10	630	70	36
500A x 20A	508.0	5.00	5.50	27.2	1.65	2.10	630	70	36
500A x 25A	508.0	5.00	5.50	34.0	1.65	2.80	630	70	36
500A x 32A	508.0	5.00	5.50	42.7	1.65	2.80	630	70	46
500A x 40A	508.0	5.00	5.50	48.6	1.65	2.80	630	70	46
500A x 50A	508.0	5.00	5.50	60.5	1.65	2.80	630	70	46
500A x 65A	508.0	5.00	5.50	76.3	2.10	3.00	630	70	51
500A x 80A	508.0	5.00	5.50	89.1	2.10	3.00	630	70	51
500A x 100A	508.0	5.00	5.50	114.3	2.10	3.00	630	70	51
500A x 125A	508.0	5.00	5.50	139.8	2.80	3.40	630	70	56
500A x 150A	508.0	5.00	5.50	165.2	2.80	3.40	630	70	56

Concentric Reducer

Valex Standard, JIS Pipe CONTINUED



Product Lines

401 (EP)	LDEP (EP)	201 (BA-S)	101 (BA-S)	CFOS (BA/AP)
●	●	●	●	●
●	●	●	●	●
●	●	●	●	●
●	●	●	●	●
●	●	●	●	●
●	●	●	●	●
●	●	●	●	●
●	●	●	●	●
●	●	●	●	●
●	●	●	●	●
●	●	●	●	●
●	●	●	●	●
●	●	●	●	●
●	●	●	●	●
●	●	●	●	●
●	●	●	●	●
●	●	●	●	●
●	●	●	●	●
●	●	●	●	●
●	●	●	●	●
●	●	●	●	●
●	●	●	●	●
●	●	●	●	●
●	●	●	●	●
●	●	●	●	●
●	●	●	●	●
●	●	●	●	●
●	●	●	●	●
●	●	●	●	●
●	●	●	●	●
●	●	●	●	●
●	●	●	●	●
●	●	●	●	●
●	●	●	●	●
●	●	●	●	●
●	●	●	●	●
●	●	●	●	●
●	●	●	●	●
●	●	●	●	●
●	●	●	●	●
●	●	●	●	●
●	●	●	●	●
●	●	●	●	●
●	●	●	●	●
●	●	●	●	●
●	●	●	●	●
●	●	●	●	●

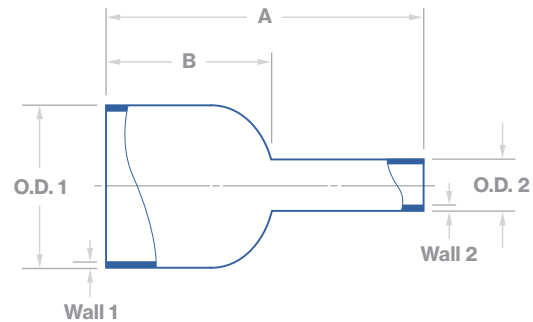
Dimensions in Millimeters

Size	O.D. 1	5S Wall 1	10S Wall 1	O.D. 2	5S Wall 2	10S Wall 2	A	B	C
500A x 200A	508.0	5.00	5.50	216.3	2.80	4.00	630	70	56
500A x 250A	508.0	5.00	5.50	267.4	3.40	4.00	630	70	60
500A x 300A	508.0	5.00	5.50	318.5	4.00	4.50	630	70	60
500A x 350A	508.0	5.00	5.50	355.6	4.00	5.00	630	70	60
500A x 400A	508.0	5.00	5.50	406.4	4.50	5.00	630	70	65
500A x 450A	508.0	5.00	5.50	457.2	4.50	5.00	630	70	65
550A x 15A	558.8	5.00	5.50	21.7	1.65	2.10	630	70	36
550A x 20A	558.8	5.00	5.50	27.2	1.65	2.10	630	70	36
550A x 25A	558.8	5.00	5.50	34.0	1.65	2.80	630	70	36
550A x 32A	558.8	5.00	5.50	42.7	1.65	2.80	630	70	46
550A x 40A	558.8	5.00	5.50	48.6	1.65	2.80	630	70	46
550A x 50A	558.8	5.00	5.50	60.5	1.65	2.80	630	70	46
550A x 65A	558.8	5.00	5.50	76.3	2.10	3.00	630	70	51
550A x 80A	558.8	5.00	5.50	89.1	2.10	3.00	630	70	51
550A x 100A	558.8	5.00	5.50	114.3	2.10	3.00	630	70	51
550A x 125A	558.8	5.00	5.50	139.8	2.80	3.40	630	70	56
550A x 150A	558.8	5.00	5.50	165.2	2.80	3.40	630	70	56
550A x 200A	558.8	5.00	5.50	216.3	2.80	4.00	630	70	56
550A x 250A	558.8	5.00	5.50	267.4	3.40	4.00	630	70	60
550A x 300A	558.8	5.00	5.50	318.5	4.00	4.50	630	70	60
550A x 350A	558.8	5.00	5.50	355.6	4.00	5.00	630	70	60
550A x 400A	558.8	5.00	5.50	406.4	4.50	5.00	630	70	65
550A x 450A	558.8	5.00	5.50	457.2	4.50	5.00	630	70	65
550A x 500A	558.8	5.00	5.50	508.0	5.00	5.50	630	70	70
600A x 15A	609.6	5.50	6.50	21.7	1.65	2.10	630	70	36
600A x 20A	609.6	5.50	6.50	27.2	1.65	2.10	630	70	36
600A x 25A	609.6	5.50	6.50	34.0	1.65	2.80	630	70	36
600A x 32A	609.6	5.50	6.50	42.7	1.65	2.80	630	70	46
600A x 40A	609.6	5.50	6.50	48.6	1.65	2.80	630	70	46
600A x 50A	609.6	5.50	6.50	60.5	1.65	2.80	630	70	46
600A x 65A	609.6	5.50	6.50	76.3	2.10	3.00	630	70	51
600A x 80A	609.6	5.50	6.50	89.1	2.10	3.00	630	70	51
600A x 100A	609.6	5.50	6.50	114.3	2.10	3.00	630	70	51
600A x 125A	609.6	5.50	6.50	139.8	2.80	3.40	630	70	56
600A x 150A	609.6	5.50	6.50	165.2	2.80	3.40	630	70	56
600A x 200A	609.6	5.50	6.50	216.3	2.80	4.00	630	70	56
600A x 250A	609.6	5.50	6.50	267.4	3.40	4.00	630	70	60
600A x 300A	609.6	5.50	6.50	318.5	4.00	4.50	630	70	60
600A x 350A	609.6	5.50	6.50	355.6	4.00	5.00	630	70	60
600A x 400A	609.6	5.50	6.50	406.4	4.50	5.00	630	70	65
600A x 450A	609.6	5.50	6.50	457.2	4.50	5.00	630	70	65
600A x 500A	609.6	5.50	6.50	508.0	5.00	5.50	630	70	70
600A x 550A	609.6	5.50	6.50	558.8	5.00	5.50	630	70	70

33

Cap Reducer

Valex Standard, JIS Pipe



Product Lines				
401 (EP)	LDEP (EP)	201 (BA-S)	101 (BA-S)	CFOS (BA/AP)
•				
•				
•				
•				
•		•	•	•
•				
•		•	•	•
•		•	•	•
•		•	•	•
•				
•		•	•	•
•		•	•	•
•		•	•	•
•		•	•	•
•	•	•	•	•
•				
•		•	•	•
•		•	•	•
•		•	•	•
•	•	•	•	•
•	•	•	•	•
•				
•		•	•	•
•		•	•	•
•		•	•	•
•		•	•	•
•		•	•	•
•	•	•	•	•
•	•	•	•	•
•	•	•	•	•
•				
•		•	•	•
•		•	•	•
•		•	•	•
•	•	•	•	•
•	•	•	•	•
•	•	•	•	•
•				
•		•	•	•
•		•	•	•
•		•	•	•
•	•	•	•	•
•	•	•	•	•
•	•	•	•	•
•				
•		•	•	•
•		•	•	•
•		•	•	•
•	•	•	•	•
•	•	•	•	•
•	•	•	•	•

Dimensions in Millimeters								
Size	O.D. 1	5S Wall 1	10S Wall 1	O.D. 2	5S Wall 2	10S Wall 2	A	B
15A x 8A	21.7	1.65	2.10	13.8	1.20	1.65	60	25.4
15A x 10A	21.7	1.65	2.10	17.3	1.20	1.65	67	25.4
20A x 8A	27.2	1.65	2.10	13.8	1.20	1.65	60	25.4
20A x 10A	27.2	1.65	2.10	17.3	1.20	1.65	67	25.4
20A x 15A	27.2	1.65	2.10	21.7	1.65	2.10	67	25.4
25A x 8A	34.0	1.65	2.80	13.8	1.20	1.65	73	38.1
25A x 10A	34.0	1.65	2.80	17.3	1.20	1.65	80	38.1
25A x 15A	34.0	1.65	2.80	21.7	1.65	2.10	80	38.1
25A x 20A	34.0	1.65	2.80	27.2	1.65	2.10	80	38.1
32A x 8A	42.7	1.65	2.80	13.8	1.20	1.65	73	38.1
32A x 10A	42.7	1.65	2.80	17.3	1.20	1.65	80	38.1
32A x 15A	42.7	1.65	2.80	21.7	1.65	2.10	80	38.1
32A x 20A	42.7	1.65	2.80	27.2	1.65	2.10	80	38.1
32A x 25A	42.7	1.65	2.80	34.0	1.65	2.80	80	38.1
40A x 8A	48.6	1.65	2.80	13.8	1.20	1.65	73	38.1
40A x 10A	48.6	1.65	2.80	17.3	1.20	1.65	80	38.1
40A x 15A	48.6	1.65	2.80	21.7	1.65	2.10	80	38.1
40A x 20A	48.6	1.65	2.80	27.2	1.65	2.10	80	38.1
40A x 25A	48.6	1.65	2.80	34.0	1.65	2.80	80	38.1
40A x 32A	48.6	1.65	2.80	42.7	1.65	2.80	90	38.1
50A x 8A	60.5	1.65	2.80	13.8	1.20	1.65	73	38.1
50A x 10A	60.5	1.65	2.80	17.3	1.20	1.65	80	38.1
50A x 15A	60.5	1.65	2.80	21.7	1.65	2.10	80	38.1
50A x 20A	60.5	1.65	2.80	27.2	1.65	2.10	80	38.1
50A x 25A	60.5	1.65	2.80	34.0	1.65	2.80	80	38.1
50A x 32A	60.5	1.65	2.80	42.7	1.65	2.80	90	38.1
50A x 40A	60.5	1.65	2.80	48.6	1.65	2.80	90	38.1
65A x 8A	76.3	2.10	3.00	13.8	1.20	1.65	73	38.1
65A x 10A	76.3	2.10	3.00	17.3	1.20	1.65	80	38.1
65A x 15A	76.3	2.10	3.00	21.7	1.65	2.10	80	38.1
65A x 20A	76.3	2.10	3.00	27.2	1.65	2.10	80	38.1
65A x 25A	76.3	2.10	3.00	34.0	1.65	2.80	80	38.1
65A x 32A	76.3	2.10	3.00	42.7	1.65	2.80	90	38.1
65A x 40A	76.3	2.10	3.00	48.6	1.65	2.80	90	38.1
65A x 50A	76.3	2.10	3.00	60.5	1.65	2.80	90	38.1
80A x 8A	89.1	2.10	3.00	13.8	1.20	1.65	85	50.8
80A x 10A	89.1	2.10	3.00	17.3	1.20	1.65	92	50.8
80A x 15A	89.1	2.10	3.00	21.7	1.65	2.10	92	50.8
80A x 20A	89.1	2.10	3.00	27.2	1.65	2.10	92	50.8
80A x 25A	89.1	2.10	3.00	34.0	1.65	2.80	92	50.8
80A x 32A	89.1	2.10	3.00	42.7	1.65	2.80	102	50.8
80A x 40A	89.1	2.10	3.00	48.6	1.65	2.80	102	50.8
80A x 50A	89.1	2.10	3.00	60.5	1.65	2.80	102	50.8
80A x 65A	89.1	2.10	3.00	76.3	2.10	3.00	110	50.8

Cap Reducer

Valex Standard, JIS Pipe CONTINUED

33
CONFIGURATION

Product Lines					Dimensions in Millimeters									
401 (EP)	LDEP (EP)	201 (BA-S)	101 (BA-S)	CFOS (BA/AP)	Size	O.D. 1	5S Wall 1	10S Wall 1	O.D. 2	5S Wall 2	10S Wall 2	A	B	
•					100A x 8A	114.3	2.10	3.00	13.8	1.20	1.65	98	63.5	
•					100A x 10A	114.3	2.10	3.00	17.3	1.20	1.65	105	63.5	
•		•	•	•	100A x 15A	114.3	2.10	3.00	21.7	1.65	2.10	105	63.5	
•		•	•	•	100A x 20A	114.3	2.10	3.00	27.2	1.65	2.10	105	63.5	
•	•	•	•	•	100A x 25A	114.3	2.10	3.00	34.0	1.65	2.80	105	63.5	
•	•	•	•	•	100A x 32A	114.3	2.10	3.00	42.7	1.65	2.80	115	63.5	
•	•	•	•	•	100A x 40A	114.3	2.10	3.00	48.6	1.65	2.80	115	63.5	
•	•	•	•	•	100A x 50A	114.3	2.10	3.00	60.5	1.65	2.80	115	63.5	
•	•	•	•	•	100A x 65A	114.3	2.10	3.00	76.3	2.10	3.00	125	63.5	
•	•	•	•	•	100A x 80A	114.3	2.10	3.00	89.1	2.10	3.00	125	63.5	
•					125A x 8A	139.8	2.80	3.40	13.8	1.20	1.65	120	76.2	
•					125A x 10A	139.8	2.80	3.40	17.3	1.20	1.65	130	76.2	
•		•	•	•	125A x 15A	139.8	2.80	3.40	21.7	1.65	2.10	130	76.2	
•		•	•	•	125A x 20A	139.8	2.80	3.40	27.2	1.65	2.10	130	76.2	
•	•	•	•	•	125A x 25A	139.8	2.80	3.40	34.0	1.65	2.80	130	76.2	
•	•	•	•	•	125A x 32A	139.8	2.80	3.40	42.7	1.65	2.80	140	76.2	
•	•	•	•	•	125A x 40A	139.8	2.80	3.40	48.6	1.65	2.80	140	76.2	
•	•	•	•	•	125A x 50A	139.8	2.80	3.40	60.5	1.65	2.80	140	76.2	
•	•	•	•	•	125A x 65A	139.8	2.80	3.40	76.3	2.10	3.00	150	76.2	
•	•	•	•	•	125A x 80A	139.8	2.80	3.40	89.1	2.10	3.00	150	76.2	
•	•	•	•	•	125A x 100A	139.8	2.80	3.40	114.3	2.10	3.00	150	76.2	
•					150A x 8A	165.2	2.80	3.40	13.8	1.20	1.65	130	88.9	
•					150A x 10A	165.2	2.80	3.40	17.3	1.20	1.65	140	88.9	
•		•	•	•	150A x 15A	165.2	2.80	3.40	21.7	1.65	2.10	140	88.9	
•		•	•	•	150A x 20A	165.2	2.80	3.40	27.2	1.65	2.10	140	88.9	
•	•	•	•	•	150A x 25A	165.2	2.80	3.40	34.0	1.65	2.80	140	88.9	
•	•	•	•	•	150A x 32A	165.2	2.80	3.40	42.7	1.65	2.80	150	88.9	
•	•	•	•	•	150A x 40A	165.2	2.80	3.40	48.6	1.65	2.80	150	88.9	
•	•	•	•	•	150A x 50A	165.2	2.80	3.40	60.5	1.65	2.80	150	88.9	
•	•	•	•	•	150A x 65A	165.2	2.80	3.40	76.3	2.10	3.00	160	88.9	
•	•	•	•	•	150A x 80A	165.2	2.80	3.40	89.1	2.10	3.00	160	88.9	
•	•	•	•	•	150A x 100A	165.2	2.80	3.40	114.3	2.10	3.00	160	88.9	
•	•	•	•	•	150A x 125A	165.2	2.80	3.40	139.8	2.80	3.40	170	88.9	
•					200A x 8A	216.3	2.80	4.00	13.8	1.20	1.65	140	101.6	
•					200A x 10A	216.3	2.80	4.00	17.3	1.20	1.65	150	101.6	
•		•	•	•	200A x 15A	216.3	2.80	4.00	21.7	1.65	2.10	150	101.6	
•		•	•	•	200A x 20A	216.3	2.80	4.00	27.2	1.65	2.10	150	101.6	
•	•	•	•	•	200A x 25A	216.3	2.80	4.00	34.0	1.65	2.80	150	101.6	
•	•	•	•	•	200A x 32A	216.3	2.80	4.00	42.7	1.65	2.80	160	101.6	
•	•	•	•	•	200A x 40A	216.3	2.80	4.00	48.6	1.65	2.80	160	101.6	
•	•	•	•	•	200A x 50A	216.3	2.80	4.00	60.5	1.65	2.80	160	101.6	
•	•	•	•	•	200A x 65A	216.3	2.80	4.00	76.3	2.10	3.00	170	101.6	
•	•	•	•	•	200A x 80A	216.3	2.80	4.00	89.1	2.10	3.00	170	101.6	
•	•	•	•	•	200A x 100A	216.3	2.80	4.00	114.3	2.10	3.00	170	101.6	

Cap Reducer

Valex Standard, JIS Pipe CONTINUED



Product Lines

401 (EP)	LDEP (EP)	201 (BA-S)	101 (BA-S)	CFOS (BA/AP)
•	•	•	•	•
•	•	•	•	•
•	•	•	•	•
•	•	•	•	•
•	•	•	•	•
•	•	•	•	•
•	•	•	•	•
•	•	•	•	•
•	•	•	•	•
•	•	•	•	•
•	•	•	•	•
•	•	•	•	•
•	•	•	•	•
•	•	•	•	•
•	•	•	•	•
•	•	•	•	•
•	•	•	•	•
•	•	•	•	•
•	•	•	•	•
•	•	•	•	•
•	•	•	•	•
•	•	•	•	•
•	•	•	•	•
•	•	•	•	•
•	•	•	•	•
•	•	•	•	•
•	•	•	•	•
•	•	•	•	•
•	•	•	•	•
•	•	•	•	•
•	•	•	•	•
•	•	•	•	•
•	•	•	•	•
•	•	•	•	•
•	•	•	•	•
•	•	•	•	•
•	•	•	•	•
•	•	•	•	•
•	•	•	•	•
•	•	•	•	•
•	•	•	•	•
•	•	•	•	•
•	•	•	•	•
•	•	•	•	•
•	•	•	•	•
•	•	•	•	•
•	•	•	•	•
•	•	•	•	•
•	•	•	•	•
•	•	•	•	•
•	•	•	•	•
•	•	•	•	•
•	•	•	•	•
•	•	•	•	•
•	•	•	•	•
•	•	•	•	•
•	•	•	•	•
•	•	•	•	•
•	•	•	•	•

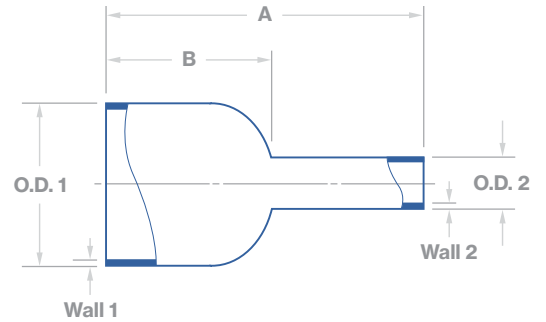
Dimensions in Millimeters

Size	O.D. 1	5S Wall 1	10S Wall 1	O.D. 2	5S Wall 2	10S Wall 2	A	B
350A x 300A	355.6	4.00	5.00	318.5	4.00	4.50	231.1	165.1
400A x 15A	406.4	4.50	5.00	21.7	1.65	2.10	213.8	177.8
400A x 20A	406.4	4.50	5.00	27.2	1.65	2.10	213.8	177.8
400A x 25A	406.4	4.50	5.00	34.0	1.65	2.80	213.8	177.8
400A x 32A	406.4	4.50	5.00	42.7	1.65	2.80	223.8	177.8
400A x 40A	406.4	4.50	5.00	48.6	1.65	2.80	223.8	177.8
400A x 50A	406.4	4.50	5.00	60.5	1.65	2.80	223.8	177.8
400A x 65A	406.4	4.50	5.00	76.3	2.10	3.00	228.8	177.8
400A x 80A	406.4	4.50	5.00	89.1	2.10	3.00	228.8	177.8
400A x 100A	406.4	4.50	5.00	114.3	2.10	3.00	228.8	177.8
400A x 125A	406.4	4.50	5.00	139.8	2.80	3.40	233.8	177.8
400A x 150A	406.4	4.50	5.00	165.2	2.80	3.40	233.8	177.8
400A x 200A	406.4	4.50	5.00	216.3	2.80	4.00	233.8	177.8
400A x 250A	406.4	4.50	5.00	267.4	3.40	4.00	238.8	177.8
400A x 300A	406.4	4.50	5.00	318.5	4.00	4.50	243.8	177.8
400A x 350A	406.4	4.50	5.00	355.6	4.00	5.00	248.8	177.8
450A x 15A	457.2	4.50	5.00	21.7	1.65	2.10	239.2	203.2
450A x 20A	457.2	4.50	5.00	27.2	1.65	2.10	239.2	203.2
450A x 25A	457.2	4.50	5.00	34.0	1.65	2.80	239.2	203.2
450A x 32A	457.2	4.50	5.00	42.7	1.65	2.80	249.2	203.2
450A x 40A	457.2	4.50	5.00	48.6	1.65	2.80	249.2	203.2
450A x 50A	457.2	4.50	5.00	60.5	1.65	2.80	249.2	203.2
450A x 65A	457.2	4.50	5.00	76.3	2.10	3.00	254.2	203.2
450A x 80A	457.2	4.50	5.00	89.1	2.10	3.00	254.2	203.2
450A x 100A	457.2	4.50	5.00	114.3	2.10	3.00	254.2	203.2
450A x 125A	457.2	4.50	5.00	139.8	2.80	3.40	259.2	203.2
450A x 150A	457.2	4.50	5.00	165.2	2.80	3.40	259.2	203.2
450A x 200A	457.2	4.50	5.00	216.3	2.80	4.00	259.2	203.2
450A x 250A	457.2	4.50	5.00	267.4	3.40	4.00	264.2	203.2
450A x 300A	457.2	4.50	5.00	318.5	4.00	4.50	269.2	203.2
450A x 350A	457.2	4.50	5.00	355.6	4.00	5.00	274.2	203.2
450A x 400A	457.2	4.50	5.00	406.4	4.50	5.00	279.2	203.2
500A x 15A	508.0	5.00	5.50	21.7	1.65	2.10	264.6	228.6
500A x 20A	508.0	5.00	5.50	27.2	1.65	2.10	264.6	228.6
500A x 25A	508.0	5.00	5.50	34.0	1.65	2.80	264.6	228.6
500A x 32A	508.0	5.00	5.50	42.7	1.65	2.80	274.6	228.6
500A x 40A	508.0	5.00	5.50	48.6	1.65	2.80	274.6	228.6
500A x 50A	508.0	5.00	5.50	60.5	1.65	2.80	274.6	228.6
500A x 65A	508.0	5.00	5.50	76.3	2.10	3.00	279.6	228.6
500A x 80A	508.0	5.00	5.50	89.1	2.10	3.00	279.6	228.6
500A x 100A	508.0	5.00	5.50	114.3	2.10	3.00	279.6	228.6
500A x 125A	508.0	5.00	5.50	139.8	2.80	3.40	284.6	228.6
500A x 150A	508.0	5.00	5.50	165.2	2.80	3.40	284.6	228.6
500A x 200A	508.0	5.00	5.50	216.3	2.80	4.00	284.6	228.6

CONFIGURATION
33

Cap Reducer

Valex Standard, JIS Pipe CONTINUED



Product Lines

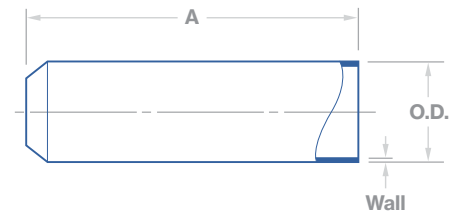
401 (EP)	LDEP (EP)	201 (BA-S)	101 (BA-S)	CFOS (BA/AP)
	●	●	●	●
	●	●	●	●
	●	●	●	●
	●	●	●	●
	●	●	●	●
		●	●	●
		●	●	●
	●	●	●	●
	●	●	●	●
	●	●	●	●
	●	●	●	●
	●	●	●	●
	●	●	●	●
	●	●	●	●
	●	●	●	●
	●	●	●	●
	●	●	●	●
	●	●	●	●
	●	●	●	●
	●	●	●	●
	●	●	●	●
	●	●	●	●
	●	●	●	●
	●	●	●	●
	●	●	●	●
	●	●	●	●
	●	●	●	●
	●	●	●	●
	●	●	●	●
	●	●	●	●
	●	●	●	●
	●	●	●	●
	●	●	●	●
	●	●	●	●
	●	●	●	●
	●	●	●	●
	●	●	●	●
	●	●	●	●
	●	●	●	●
	●	●	●	●
	●	●	●	●
	●	●	●	●
	●	●	●	●
	●	●	●	●
	●	●	●	●
	●	●	●	●
	●	●	●	●
	●	●	●	●
	●	●	●	●

Dimensions in Millimeters

Size	O.D. 1	5S Wall 1	10S Wall 1	O.D. 2	5S Wall 2	10S Wall 2	A	B
500A x 250A	508.0	5.00	5.50	267.4	3.40	4.00	289.6	228.6
500A x 300A	508.0	5.00	5.50	318.5	4.00	4.50	294.6	228.6
500A x 350A	508.0	5.00	5.50	355.6	4.00	5.00	299.6	228.6
500A x 400A	508.0	5.00	5.50	406.4	4.50	5.00	304.6	228.6
500A x 450A	508.0	5.00	5.50	457.2	4.50	5.00	309.6	228.6
550A x 15A	558.8	5.00	5.50	21.7	1.65	2.10	290.0	254.0
550A x 20A	558.8	5.00	5.50	27.2	1.65	2.10	290.0	254.0
550A x 25A	558.8	5.00	5.50	34.0	1.65	2.80	290.0	254.0
550A x 32A	558.8	5.00	5.50	42.7	1.65	2.80	300.0	254.0
550A x 40A	558.8	5.00	5.50	48.6	1.65	2.80	300.0	254.0
550A x 50A	558.8	5.00	5.50	60.5	1.65	2.80	300.0	254.0
550A x 65A	558.8	5.00	5.50	76.3	2.10	3.00	305.0	254.0
550A x 80A	558.8	5.00	5.50	89.1	2.10	3.00	305.0	254.0
550A x 100A	558.8	5.00	5.50	114.3	2.10	3.00	305.0	254.0
550A x 125A	558.8	5.00	5.50	139.8	2.80	3.40	310.0	254.0
550A x 150A	558.8	5.00	5.50	165.2	2.80	3.40	310.0	254.0
550A x 200A	558.8	5.00	5.50	216.3	2.80	4.00	310.0	254.0
550A x 250A	558.8	5.00	5.50	267.4	3.40	4.00	314.0	254.0
550A x 300A	558.8	5.00	5.50	318.5	4.00	4.50	319.0	254.0
550A x 350A	558.8	5.00	5.50	355.6	4.00	5.00	324.0	254.0
550A x 400A	558.8	5.00	5.50	406.4	4.50	5.00	329.0	254.0
550A x 450A	558.8	5.00	5.50	457.2	4.50	5.00	334.0	254.0
550A x 500A	558.8	5.00	5.50	508.0	5.00	5.50	339.0	254.0
600A x 15A	609.6	5.50	6.50	21.7	1.65	2.10	302.7	266.7
600A x 20A	609.6	5.50	6.50	27.2	1.65	2.10	302.7	266.7
600A x 25A	609.6	5.50	6.50	34.0	1.65	2.80	302.7	266.7
600A x 32A	609.6	5.50	6.50	42.7	1.65	2.80	312.7	266.7
600A x 40A	609.6	5.50	6.50	48.6	1.65	2.80	312.7	266.7
600A x 50A	609.6	5.50	6.50	60.5	1.65	2.80	312.7	266.7
600A x 65A	609.6	5.50	6.50	76.3	2.10	3.00	317.7	266.7
600A x 80A	609.6	5.50	6.50	89.1	2.10	3.00	317.7	266.7
600A x 100A	609.6	5.50	6.50	114.3	2.10	3.00	317.7	266.7
600A x 125A	609.6	5.50	6.50	139.8	2.80	3.40	322.7	266.7
600A x 150A	609.6	5.50	6.50	165.2	2.80	3.40	322.7	266.7
600A x 200A	609.6	5.50	6.50	216.3	2.80	4.00	322.7	266.7
600A x 250A	609.6	5.50	6.50	267.4	3.40	4.00	327.7	266.7
600A x 300A	609.6	5.50	6.50	318.5	4.00	4.50	332.7	266.7
600A x 350A	609.6	5.50	6.50	355.6	4.00	5.00	337.7	266.7
600A x 400A	609.6	5.50	6.50	406.4	4.50	5.00	342.7	266.7
600A x 450A	609.6	5.50	6.50	457.2	4.50	5.00	347.7	266.7
600A x 500A	609.6	5.50	6.50	508.0	5.00	5.50	352.7	266.7
600A x 550A	609.6	5.50	6.50	558.8	5.00	5.50	357.7	266.7

End Caps





CONFIGURATION
16

End Cap

Valex Standard, ASTM Tube

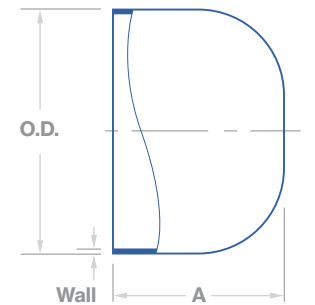
Product Lines		
401 (EP)	201 (BA-S)	222 (BA-S)
•	•	•
•	•	•
•	•	•
•	•	•
•	•	•
•	•	•
•	•	•
•	•	•
•	•	•
•	•	•
•	•	•
•	•	•
•	•	•

Dimensions in Inches			
Size	O.D.	Wall	A
1/4"	.250	.035 / .039	1.125
3/8"	.375	.035 / .039	1.125
1/2"	.500	.049	1.375
3/4"	.750	.065	1.75
1"	1.000	.065	1.75
1-1/2"	1.500	.065	2.00
2"	2.000	.065	2.00
2-1/2"	2.500	.065	2.00
3"	3.000	.065	2.00
4"	4.000	.083	2.50
6"	6.000	.109	4.77

CONFIGURATION
16

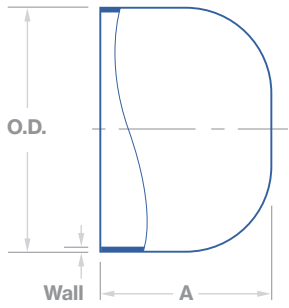
End Cap

ASME B16.9 Standard, ASME Pipe



Product Lines	
LDEP (EP)	CFOS (BA/AP)
	•
	•
	•
	•
	•
•	•
•	•
•	•
•	•
•	•
•	•
•	•
•	•
•	•
•	•
•	•
•	•
•	•
•	•
•	•
•	•
•	•
•	•
•	•
•	•

Dimensions in Inches				
Size	Sch.	O.D.	Wall	A
NPS 1/2	10S	.84	.083	1.00
NPS 3/4	10S	1.05	.083	1.00
NPS 1	10S	1.32	.109	1.50
NPS 1-1/4	10S	1.66	.109	1.50
NPS 1-1/2	10S	1.90	.109	1.50
NPS 2	10S	2.38	.109	1.50
NPS 2-1/2	10S	2.88	.120	1.50
NPS 3	10S	3.50	.120	2.00
NPS 3-1/2	10S	4.00	.120	2.50
NPS 4	10S	4.50	.120	2.50
NPS 5	10S	5.56	.134	3.00
NPS 6	10S	6.62	.134	3.50
NPS 8	10S	8.62	.148	4.00
NPS 10	10S	10.75	.165	5.00
NPS 12	10S	12.75	.180	6.00
NPS 14	10S	14.00	.188	6.50
NPS 16	10S	16.00	.188	7.00
NPS 18	10S	18.00	.188	8.00
NPS 20	10S	20.00	.218	9.00
NPS 22	10S	22.00	.218	10.00
NPS 24	10S	24.00	.250	10.50



End Cap

JIS B2312 Standard, JIS Pipe

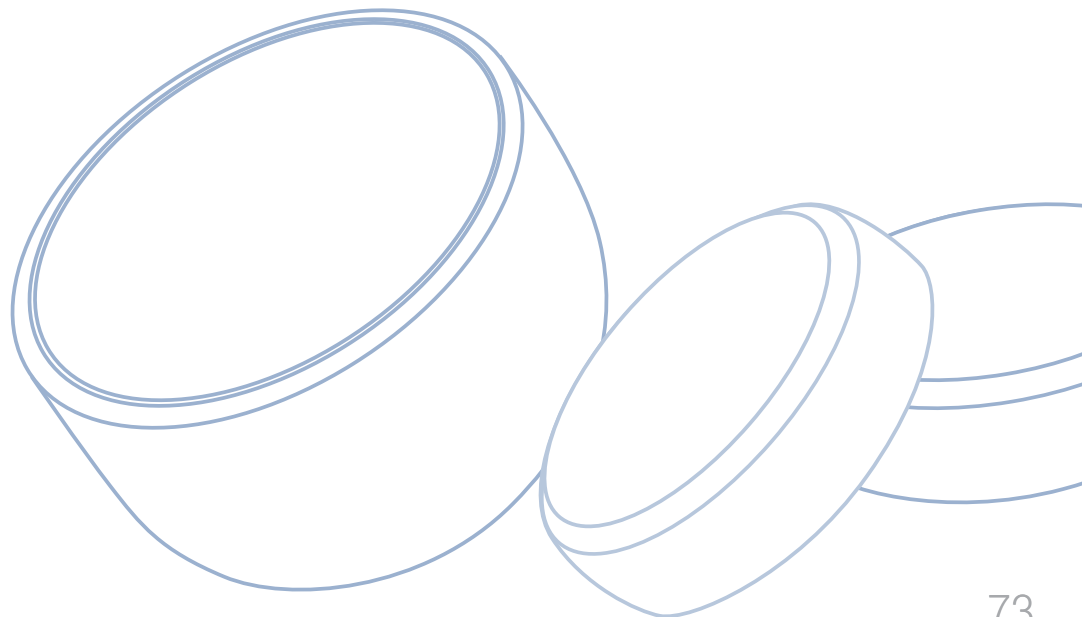
CONFIGURATION
16

Product Lines

401 (EP)	LDEP (EP)	201 (BA-S)	101 (BA-S)	CFOS (BA/AP)
●		●	●	●
●		●	●	●
●	●	●	●	●
●	●	●	●	●
●	●	●	●	●
●	●	●	●	●
●	●	●	●	●
●	●	●	●	●
●	●	●	●	●
●	●	●	●	●
●	●	●	●	●
●	●	●	●	●
●	●	●	●	●
●	●	●	●	●
●	●	●	●	●
	●	●	●	●
	●	●	●	●
	●	●	●	●
	●	●	●	●
	●	●	●	●
	●	●	●	●
	●	●	●	●

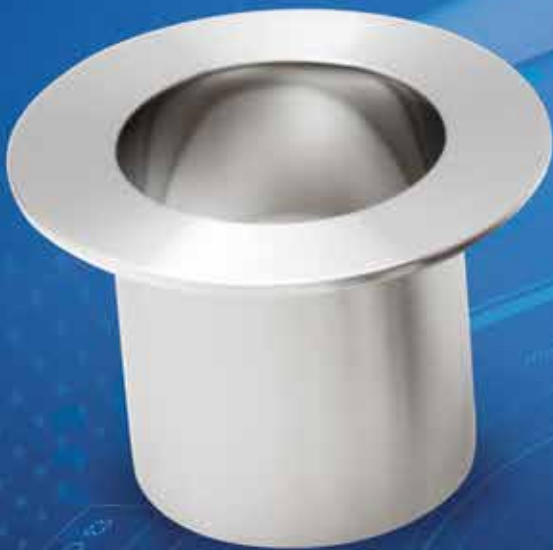
Dimensions in Millimeters

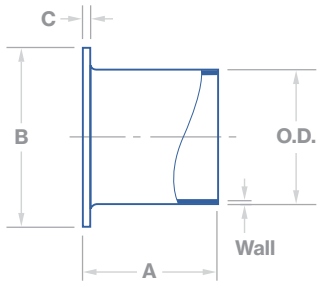
Size	O.D.	5S Wall	10S Wall	A
15A	21.7	1.65	2.10	25.4
20A	27.2	1.65	2.10	25.4
25A	34.0	1.65	2.80	38.1
32A	42.7	1.65	2.80	38.1
40A	48.6	1.65	2.80	38.1
50A	60.5	1.65	2.80	38.1
65A	76.3	2.10	3.00	38.1
80A	89.1	2.10	3.00	50.8
90A	101.6	2.10	3.00	63.5
100A	114.3	2.10	3.00	63.5
125A	139.8	2.80	3.40	76.2
150A	165.2	2.80	3.40	88.9
200A	216.3	2.80	4.00	101.6
250A	267.4	3.40	4.00	127.0
300A	318.5	4.00	4.50	152.4
350A	355.6	4.00	5.00	165.1
400A	406.4	4.50	5.00	177.8
450A	457.2	4.50	5.00	203.2
500A	508.0	5.00	5.50	228.6
550A	558.8	5.00	5.50	254.0
600A	609.6	5.50	6.50	266.7
650A	660.4	5.50	6.50	266.7



Stub Ends

- Tube Stub Ends
- Lap Joint Stub Ends





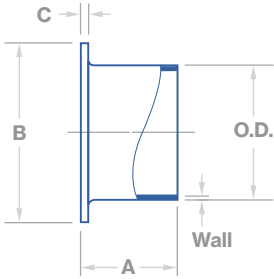
Tube Stub End, Long

Valex Standard, ASTM Tube

CONFIGURATION
38LE
Use With
38PF

Product Lines	
401 (EP)	201 (BA-S)
●	●
●	●
●	●
●	●
●	●
●	●
●	●
●	●
●	●
●	●

Dimensions in Inches					
Size	O.D.	Wall	A	B	C
1/2"	.500	.049	3.500	1.500	.130
3/4"	.750	.065	3.500	1.500	.130
1"	1.000	.065	3.125	2.000	.130
1-1/2"	1.500	.065	3.250	2.875	.130
2"	2.000	.065	3.000	3.625	.130
2-1/2"	2.500	.065	4.000	4.125	.130
3"	3.000	.065	4.250	5.000	.166
4"	4.000	.083	5.625	6.188	.166
6"	6.000	.109	7.000	8.500	.218



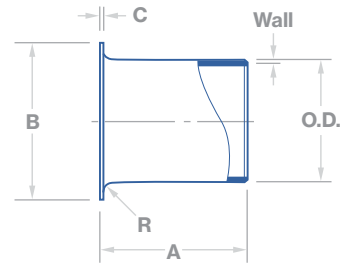
Tube Stub End, Short

Valex Standard, ASTM Tube

CONFIGURATION
38SE
Use With
38PF

Product Lines	
401 (EP)	201 (BA-S)
●	●
●	●
●	●
●	●
●	●
●	●
●	●
●	●
●	●
●	●

Dimensions in Inches					
Size	O.D.	Wall	A	B	C
1/2"	.500	.065	2.000	1.500	.130
3/4"	.750	.065	2.000	1.500	.130
1"	1.000	.065	1.625	2.000	.130
1-1/2"	1.500	.065	1.750	2.875	.130
2"	2.000	.065	1.500	3.625	.130
2-1/2"	2.500	.065	2.000	4.125	.130
3"	3.000	.065	2.250	5.000	.166
4"	4.000	.083	2.625	6.188	.166
6"	6.000	.109	3.000	8.500	.218

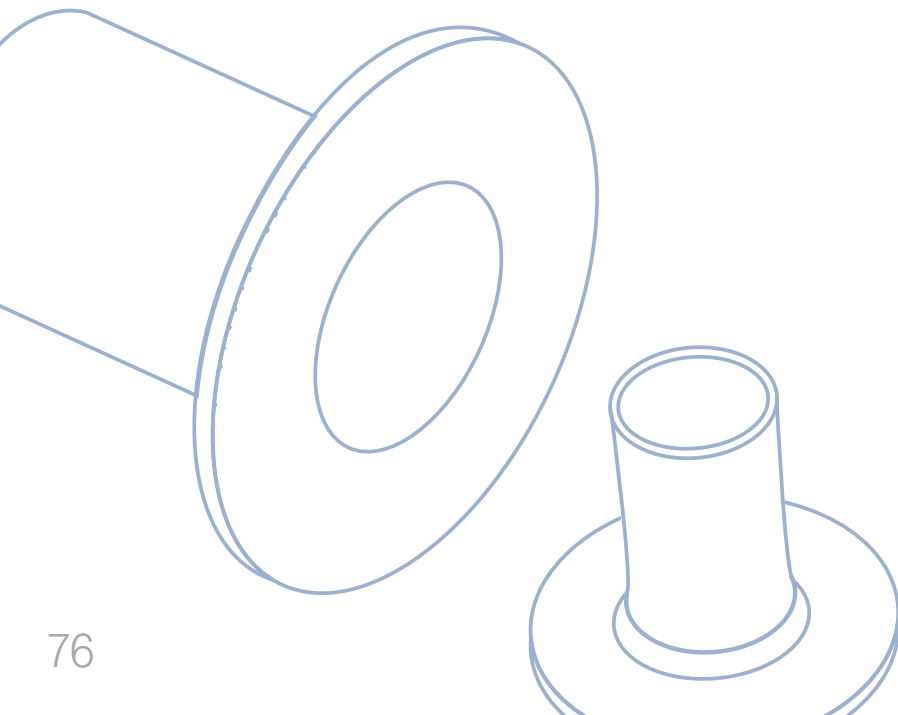


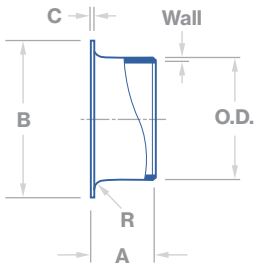
CONFIGURATION
38LA
Use With
38LJ

Lap Joint Stub End, Long

ASME B16.9 Standard, ASME Pipe

Product Lines		Dimensions in Inches							
LDEP (EP)	CFOS (BA/AP)	Size	Sch.	O.D.	Wall	A	R	B	C
	●	NPS 1/2	10S	.809 - .896	.083	3.00	.12	1.38	.083
	●	NPS 3/4	10S	1.019 - 1.106	.083	3.00	.12	1.69	.083
	●	NPS 1	10S	1.284 - 1.376	.109	4.00	.12	2.00	.109
	●	NPS 1-1/4	10S	1.629 - 1.716	.109	4.00	.19	2.50	.109
	●	NPS 1-1/2	10S	1.869 - 1.965	.109	4.00	.25	2.88	.109
●	●	NPS 2	10S	2.344 - 2.456	.109	6.00	.31	3.62	.109
●	●	NPS 2-1/2	10S	2.844 - 2.966	.120	6.00	.31	4.12	.120
●	●	NPS 3	10S	3.469 - 3.596	.120	6.00	.38	5.00	.120
●	●	NPS 3-1/2	10S	3.969 - 4.096	.120	6.00	.38	5.50	.120
●	●	NPS 4	10S	4.469 - 4.593	.120	6.00	.44	6.19	.120
●	●	NPS 5	10S	5.532 - 5.683	.134	8.00	.44	7.31	.134
●	●	NPS 6	10S	6.594 - 6.743	.134	8.00	.50	8.50	.134
●	●	NPS 8	10S	8.594 - 8.743	.148	8.00	.50	10.62	.148
●	●	NPS 10	10S	10.719 - 10.913	.165	10.00	.50	12.75	.165
●	●	NPS 12	10S	12.719 - 12.913	.180	10.00	.50	15.00	.180
●	●	NPS 14	10S	13.969 - 14.170	.188	12.00	.50	16.25	.188
●	●	NPS 16	10S	15.969 - 16.180	.188	12.00	.50	18.50	.188
●	●	NPS 18	10S	17.969 - 18.190	.188	12.00	.50	21.00	.188
●	●	NPS 20	10S	19.969 - 20.240	.218	12.00	.50	23.00	.218
●	●	NPS 24	10S	23.969 - 24.240	.250	12.00	.50	27.25	.250



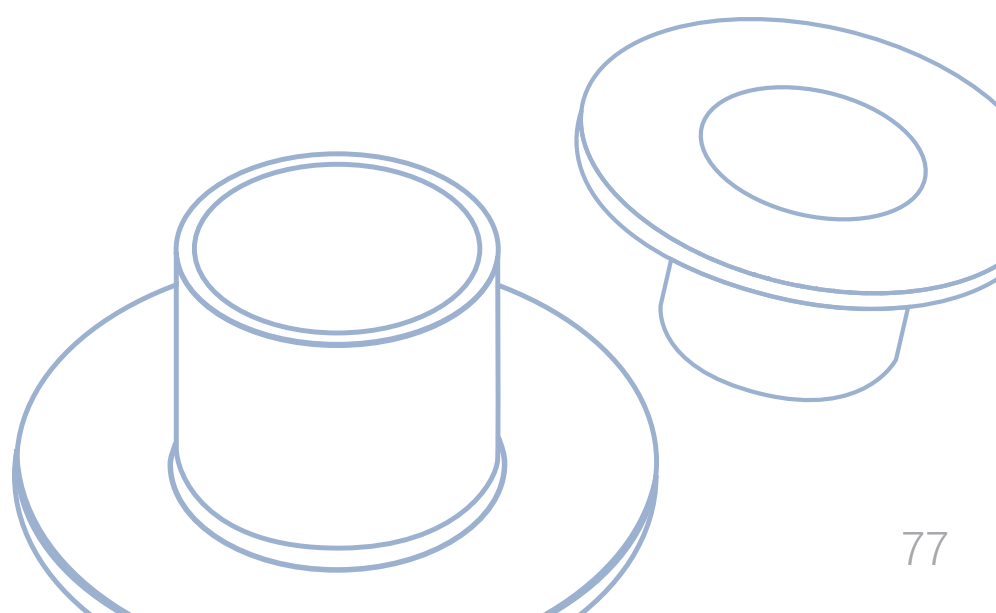


Lap Joint Stub End, Short

ASME B16.9 Standard, ASME Pipe

Product Lines	
LDEP (EP)	CFOS (BA/AP)
	●
	●
	●
	●
●	●
●	●
●	●
●	●
●	●
●	●
●	●
●	●
●	●
●	●
●	●
●	●
●	●
●	●
●	●

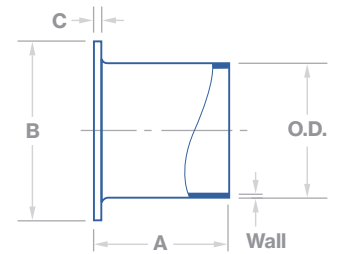
Dimensions in Inches								
Size	Sch.	O.D.	Wall	A	R	B	C	
NPS 1/2	10S	.809 - .896	.083	2.00	.12	1.38	.083	
NPS 3/4	10S	1.019 - 1.106	.083	2.00	.12	1.69	.083	
NPS 1	10S	1.284 - 1.376	.109	2.00	.12	2.00	.109	
NPS 1-1/4	10S	1.629 - 1.716	.109	2.00	.19	2.50	.109	
NPS 1-1/2	10S	1.869 - 1.965	.109	2.00	.25	2.88	.109	
NPS 2	10S	2.344 - 2.456	.109	2.50	.31	3.62	.109	
NPS 2-1/2	10S	2.844 - 2.966	.120	2.50	.31	4.12	.120	
NPS 3	10S	3.469 - 3.596	.120	2.50	.38	5.00	.120	
NPS 3-1/2	10S	3.969 - 4.096	.120	3.00	.38	5.50	.120	
NPS 4	10S	4.469 - 4.593	.120	3.00	.44	6.19	.120	
NPS 5	10S	5.532 - 5.683	.134	3.00	.44	7.31	.134	
NPS 6	10S	6.594 - 6.743	.134	3.50	.50	8.50	.134	
NPS 8	10S	8.594 - 8.743	.148	4.00	.50	10.62	.148	
NPS 10	10S	10.719 - 10.913	.165	5.00	.50	12.75	.165	
NPS 12	10S	12.719 - 12.913	.180	6.00	.50	15.00	.180	
NPS 14	10S	13.969 - 14.170	.188	6.00	.50	16.25	.188	
NPS 16	10S	15.969 - 16.180	.188	6.00	.50	18.50	.188	
NPS 18	10S	17.969 - 18.190	.188	6.00	.50	21.00	.188	
NPS 20	10S	19.969 - 20.240	.218	6.00	.50	23.00	.218	
NPS 24	10S	23.969 - 24.240	.250	6.00	.50	27.25	.250	



CONFIGURATION
38L
Use With
38LJ

Lap Joint Stub End

Valex Standard, Nominal Pressure 5K



Product Lines				
401 (EP)	LDEP (EP)	201 (BA-S)	101 (BA-S)	CFOS (BA/AP)
●		●	●	●
●		●	●	●
●	●	●	●	●
●	●	●	●	●
●	●	●	●	●
●	●	●	●	●
●	●	●	●	●
●	●	●	●	●
●	●	●	●	●
●	●	●	●	●
●	●	●	●	●
●	●	●	●	●
●	●	●	●	●
●	●	●	●	●
●	●	●	●	●

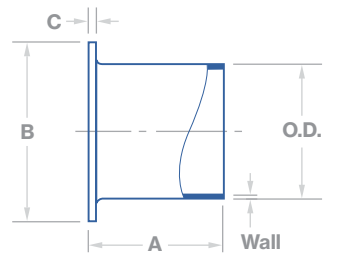
Dimensions in Millimeters							
Size	O.D.	5S Wall	10S Wall	A*	R	B	C
15A	21.7	1.65	2.10	55	3.0	44	2.5
20A	27.2	1.65	2.10	55	3.0	49	2.5
25A	34.0	1.65	2.80	55	3.0	59	2.5
32A	42.7	1.65	2.80	70	3.0	70	2.5
40A	48.6	1.65	2.80	70	3.0	75	2.5
50A	60.5	1.65	2.80	70	4.0	85	2.5
65A	76.3	2.10	3.00	75	4.0	110	2.5
80A	89.1	2.10	3.00	75	5.0	121	2.5
100A	114.3	2.10	3.00	75	5.0	141	2.5
125A	139.8	2.80	3.40	50	5.0	182	5.0
150A	165.2	2.80	3.40	50	5.0	212	5.0
200A	216.3	2.80	4.00	65	5.0	262	7.0
250A	267.4	3.40	4.00	65	5.0	324	7.0
300A	318.5	4.00	4.50	65	5.0	368	9.0

* Sizes JIS 100A and smaller are suitable for automatic welding. Sizes JIS 125A and larger are suitable for manual welding.

CONFIGURATION
38L
Use With
38LJ

Lap Joint Stub End

Valex Standard, Nominal Pressure 10K



Product Lines				
401 (EP)	LDEP (EP)	201 (BA-S)	101 (BA-S)	CFOS (BA/AP)
●		●	●	●
●		●	●	●
●	●	●	●	●
●	●	●	●	●
●	●	●	●	●
●	●	●	●	●
●	●	●	●	●
●	●	●	●	●
●	●	●	●	●
●	●	●	●	●
●	●	●	●	●
●	●	●	●	●
●	●	●	●	●
●	●	●	●	●
●	●	●	●	●
●	●	●	●	●

Dimensions in Millimeters							
Size	O.D.	5S Wall	10S Wall	A*	R	B	C
15A	21.7	1.65	2.10	55	3.0	51	2.5
20A	27.2	1.65	2.10	55	3.0	56	2.5
25A	34.0	1.65	2.80	55	3.0	67	2.5
32A	42.7	1.65	2.80	70	3.0	76	2.5
40A	48.6	1.65	2.80	70	3.0	81	2.5
50A	60.5	1.65	2.80	70	4.0	96	2.5
65A	76.3	2.10	3.00	75	4.0	116	2.5
80A	89.1	2.10	3.00	75	5.0	126	2.5
100A	114.3	2.10	3.00	75	5.0	151	2.5
125A	139.8	2.80	3.40	50	5.0	182	5.0
150A	165.2	2.80	3.40	50	5.0	212	5.0
200A	216.3	2.80	4.00	65	5.0	262	7.0
250A	267.4	3.40	4.00	65	5.0	324	7.0
300A	318.5	4.00	4.50	65	5.0	368	9.0

* Sizes JIS 100A and smaller are suitable for automatic welding. Sizes JIS 125A and larger are suitable for manual welding.

Flanges

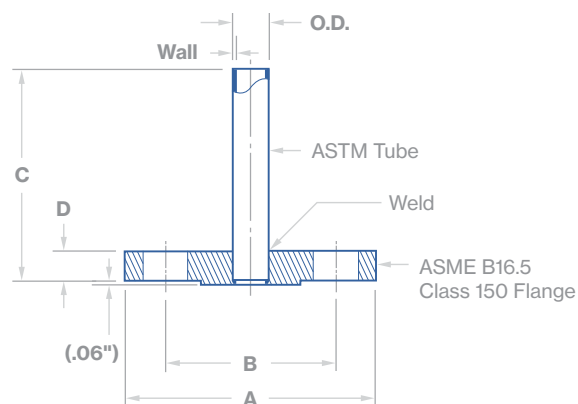
- Weld Neck Flanges
- Blind Flanges
- Blank Flanges
- Lap Joint Flanges
- Tube Plate Flanges



Weld Tube Flange

ASME B16.5 Class 150 Flange
With ASTM Tube Stub

CONFIGURATION
38



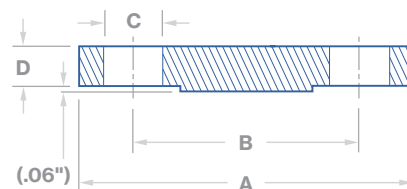
Product Lines	
401 (EP)	201 (BA-S)
●	●
●	●
●	●
●	●
●	●
●	●
●	●
●	●

Dimensions in Inches									
Tube Size	Flange Size	O.D.	Wall	A	B	C	D	# of Bolts	
1/2"	NPS 1/2	.500	.049	3.50	2.38	3.00	.38	4	
3/4"	NPS 3/4	.750	.065	3.88	2.75	3.00	.44	4	
1"	NPS 1	1.000	.065	4.25	3.12	3.00	.50	4	
1-1/2"	NPS 1-1/2	1.500	.065	5.00	3.88	3.00	.62	4	
2"	NPS 2	2.000	.065	6.00	4.75	3.50	.69	4	
3"	NPS 3	3.000	.065	7.50	6.00	4.50	.88	4	
4"	NPS 4	4.000	.083	9.00	7.50	4.50	.88	8	
6"	NPS 6	6.000	.109	11.00	9.50	4.50	.94	8	

CONFIGURATION
38BF

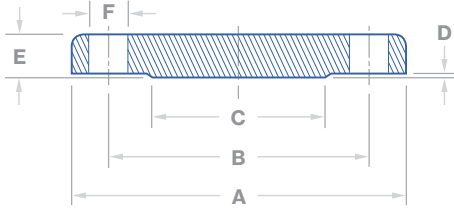
Blind Flange

ASME B16.5 Standard, Class 150



Product Lines	
LDEP (EP)	CFOS (BA/AP)
	●
	●
	●
	●
●	●
●	●
●	●
●	●
●	●
●	●
●	●
●	●
●	●
●	●
●	●
●	●
●	●
●	●
●	●
●	●
●	●
●	●
●	●
●	●

Dimensions in Inches					
Size	A	B	C	D	# of Bolts
NPS 1/2	3.50	2.38	.625	.38	4
NPS 3/4	3.88	2.75	.625	.44	4
NPS 1	4.25	3.12	.625	.50	4
NPS 1-1/4	4.62	3.50	.625	.56	4
NPS 1-1/2	5.00	3.88	.625	.62	4
NPS 2	6.00	4.75	.750	.69	4
NPS 2-1/2	7.00	5.50	.750	.81	4
NPS 3	7.50	6.00	.750	.88	4
NPS 3-1/2	8.50	7.00	.750	.88	8
NPS 4	9.00	7.50	.750	.88	8
NPS 5	10.00	8.50	.875	.88	8
NPS 6	11.00	9.50	.875	.94	8
NPS 8	13.50	11.75	.875	1.06	8
NPS 10	16.00	14.25	1.000	1.12	12
NPS 12	19.00	17.00	1.000	1.19	12
NPS 14	21.00	18.75	1.125	1.31	12
NPS 16	23.50	21.25	1.125	1.38	16
NPS 18	25.00	22.75	1.250	1.50	16
NPS 20	27.50	25.00	1.250	1.62	20
NPS 24	32.00	29.50	1.375	1.81	20



Blank Flange

JIS B2220 Standard, Nominal Pressure 5K

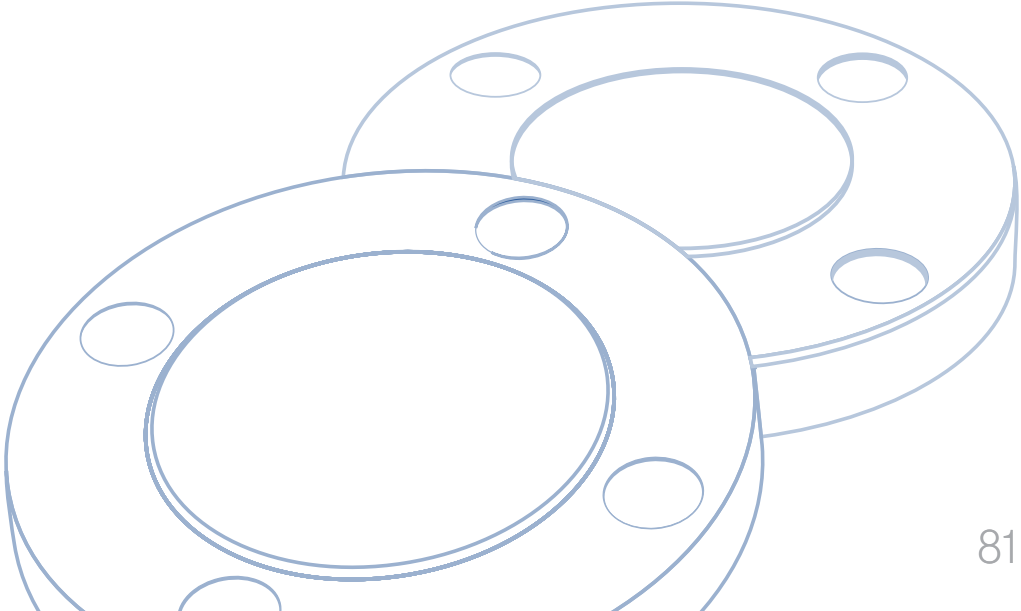
CONFIGURATION
38BF

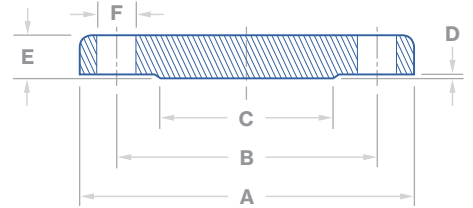
Product Lines

401 (EP)	LDEP (EP)	201 (BA-S)	101 (BA-S)	CFOS (BA/AP)
●				
●		●	●	●
●		●	●	●
●	●	●	●	●
●	●	●	●	●
●	●	●	●	●
●	●	●	●	●
●	●	●	●	●
●	●	●	●	●
●	●	●	●	●
●	●	●	●	●
●	●	●	●	●
●	●	●	●	●
●	●	●	●	●
●	●	●	●	●
●	●	●	●	●
●	●	●	●	●
●	●	●	●	●
●	●	●	●	●
●	●	●	●	●
●	●	●	●	●
●	●	●	●	●
●	●	●	●	●

Dimensions in Millimeters

Size	A	B	C	D	E	F	# of Bolts
10A	75	55	39	1	9	12	4
15A	80	60	44	1	9	12	4
20A	85	65	49	1	10	12	4
25A	95	75	59	1	10	12	4
32A	115	90	70	2	12	15	4
40A	120	95	75	2	12	15	4
50A	130	105	85	2	14	15	4
65A	155	130	110	2	14	15	4
80A	180	145	121	2	14	19	4
90A	190	155	131	2	14	19	4
100A	200	165	141	2	16	19	8
125A	235	200	176	2	16	19	8
150A	265	230	206	2	18	19	8
200A	320	280	252	2	20	23	8
250A	385	345	317	2	22	23	12
300A	430	390	360	3	22	23	12
350A	480	435	403	3	24	25	12
400A	540	495	463	3	24	25	16
450A	605	555	523	3	24	25	16
500A	655	605	573	3	24	25	20
550A	720	665	630	3	26	27	20
600A	770	715	680	3	26	27	20



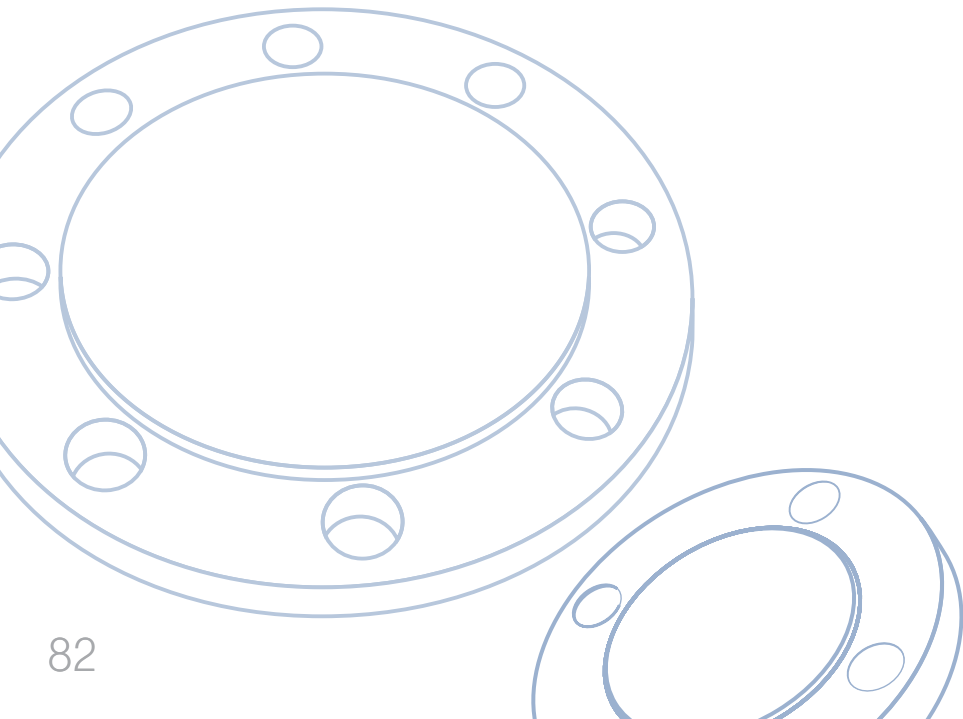


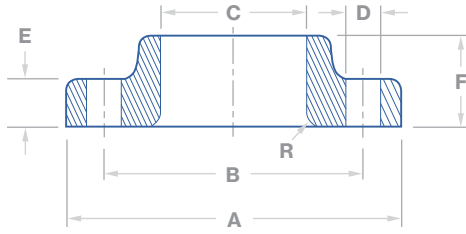
CONFIGURATION
38BF

Blank Flange

JIS B2220 Standard, Nominal Pressure 10K

Product Lines					Dimensions in Millimeters							
401 (EP)	LDEP (EP)	201 (BA-S)	101 (BA-S)	CFOS (BA/AP)	Size	A	B	C	D	E	F	# of Bolts
•					10A	90	65	46	1	12	15	4
•		•	•	•	15A	95	70	51	1	12	15	4
•		•	•	•	20A	100	75	56	1	14	15	4
•	•	•	•	•	25A	125	90	67	1	14	19	4
•	•	•	•	•	32A	135	100	76	2	16	19	4
•	•	•	•	•	40A	140	105	81	2	16	19	4
•	•	•	•	•	50A	155	120	96	2	16	19	4
•	•	•	•	•	65A	175	140	116	2	18	19	4
•	•	•	•	•	80A	185	150	126	2	18	19	8
•	•	•	•	•	90A	195	160	136	2	18	19	8
•	•	•	•	•	100A	210	175	151	2	18	19	8
•	•	•	•	•	125A	250	210	182	2	20	23	8
•	•	•	•	•	150A	280	240	212	2	22	23	8
•	•	•	•	•	200A	330	290	262	2	22	23	12
•	•	•	•	•	250A	400	355	324	2	24	25	12
•	•	•	•	•	300A	445	400	368	3	24	25	16
	•	•	•	•	350A	490	445	413	3	26	25	16
	•	•	•	•	400A	560	510	475	3	28	27	16
	•	•	•	•	450A	620	565	530	3	30	27	20
	•	•	•	•	500A	675	620	585	3	30	27	20
	•	•	•	•	550A	745	680	640	3	34	33	20
	•	•	•	•	600A	795	730	690	3	36	33	24





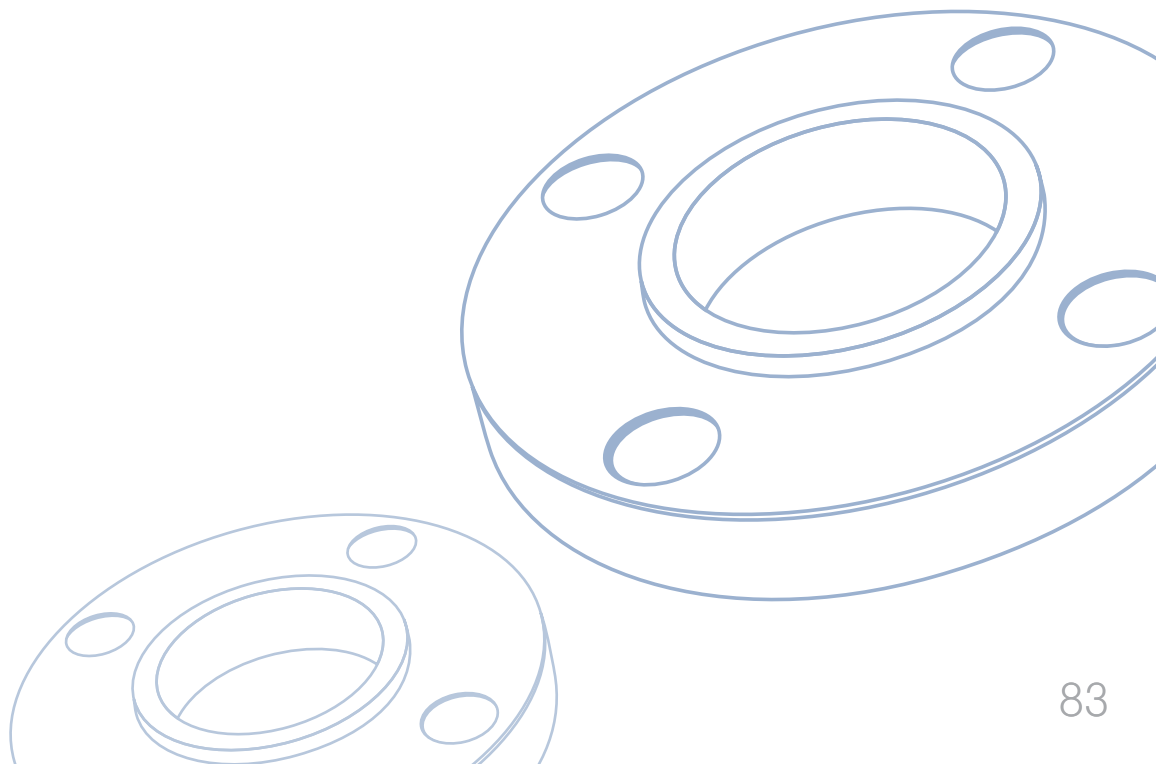
Lap Joint Flange

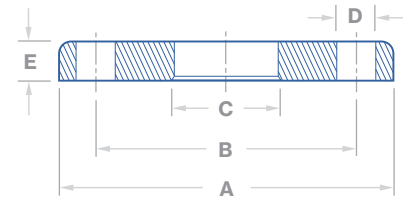
ASME B16.5 Standard, Class 150



Compatible with Product Lines*		Dimensions in Inches								
LDEP (EP)	CFOS (BA/AP)	Size	A	B	C	D	E	F	R	# of Bolts
	●	NPS 1/2	3.50	2.38	.90	.625	.38	.62	.12	4
	●	NPS 3/4	3.88	2.75	1.11	.625	.44	.62	.12	4
	●	NPS 1	4.25	3.12	1.38	.625	.50	.69	.12	4
	●	NPS 1-1/4	4.62	3.50	1.72	.625	.56	.81	.19	4
	●	NPS 1-1/2	5.00	3.88	1.97	.625	.62	.88	.25	4
●	●	NPS 2	6.00	4.75	2.46	.750	.69	1.00	.31	4
●	●	NPS 2-1/2	7.00	5.50	2.97	.750	.81	1.12	.31	4
●	●	NPS 3	7.50	6.00	3.60	.750	.88	1.19	.38	4
●	●	NPS 3-1/2	8.50	7.00	4.10	.750	.88	1.25	.38	8
●	●	NPS 4	9.00	7.50	4.60	.750	.88	1.31	.44	8
●	●	NPS 5	10.00	8.50	5.69	.875	.88	1.44	.44	8
●	●	NPS 6	11.00	9.50	6.75	.875	.94	1.56	.50	8
●	●	NPS 8	13.50	11.75	8.75	.875	1.06	1.75	.50	8
●	●	NPS 10	16.00	14.25	10.92	1.000	1.12	1.94	.50	12
●	●	NPS 12	19.00	17.00	12.92	1.000	1.19	2.19	.50	12
	●	NPS 14	21.00	18.75	14.18	1.125	1.31	3.12	.50	12
	●	NPS 16	23.50	21.25	16.19	1.125	1.38	3.44	.50	16
	●	NPS 18	25.00	22.75	18.20	1.250	1.50	3.81	.50	16
	●	NPS 20	27.50	25.00	20.25	1.250	1.62	4.06	.50	20
	●	NPS 24	32.00	29.50	24.25	1.375	1.81	4.38	.50	20

* Lap joint flanges are only available in CFOS, but are compatible with the product lines listed above.





CONFIGURATION
38LJ
Use With
38L

Lap Joint Flange

JIS B2220 Standard, Nominal Pressure 5K

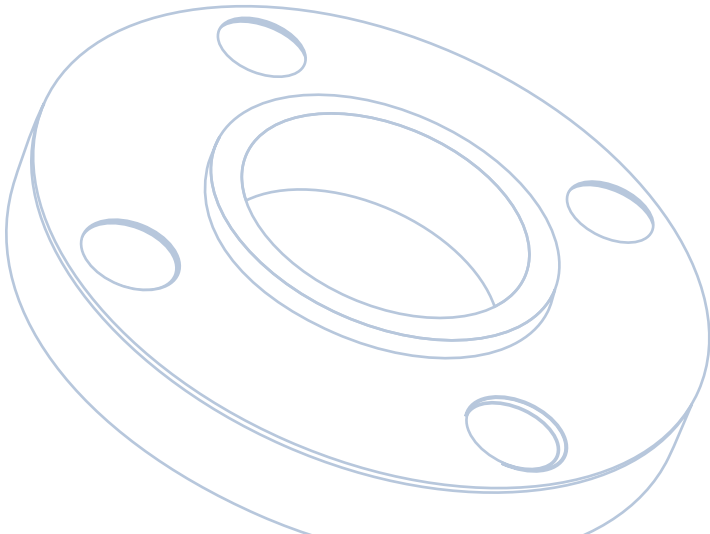
Compatible with Product Lines*

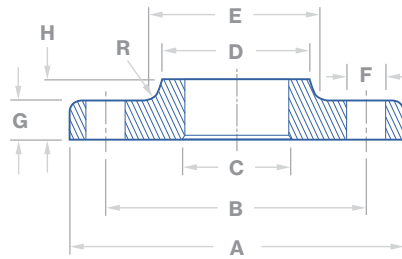
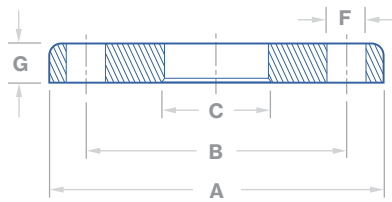
401 (EP)	LDEP (EP)	201 (BA-S)	101 (BA-S)	CFOS (BA/AP)
●		●	●	●
●		●	●	●
●	●	●	●	●
●	●	●	●	●
●	●	●	●	●
●	●	●	●	●
●	●	●	●	●
●	●	●	●	●
●	●	●	●	●
●	●	●	●	●
●	●	●	●	●
●	●	●	●	●
●	●	●	●	●
●	●	●	●	●
●	●	●	●	●
●	●	●	●	●

Dimensions in Millimeters

Size	A	B	C	D	E	# of Bolts
15A	80	60	23.4	12	9	4
20A	85	65	28.9	12	10	4
25A	95	75	35.6	12	10	4
32A	115	90	44.3	15	12	4
40A	120	95	50.4	15	12	4
50A	130	105	62.7	15	14	4
65A	155	130	78.7	15	14	4
80A	180	145	91.6	19	14	4
100A	200	165	116.9	19	16	8
125A	235	200	143.0	19	16	8
150A	265	230	168.4	19	18	8
200A	320	280	219.5	23	20	8
250A	385	345	271.7	23	22	12
300A	430	390	322.8	23	22	12

* Lap joint flanges are only available in CFOS, but are compatible with the product lines listed above.





Lap Joint Flange

JIS B2220 Standard, Nominal Pressure 10K

CONFIGURATION
38LJ
Use With
38L

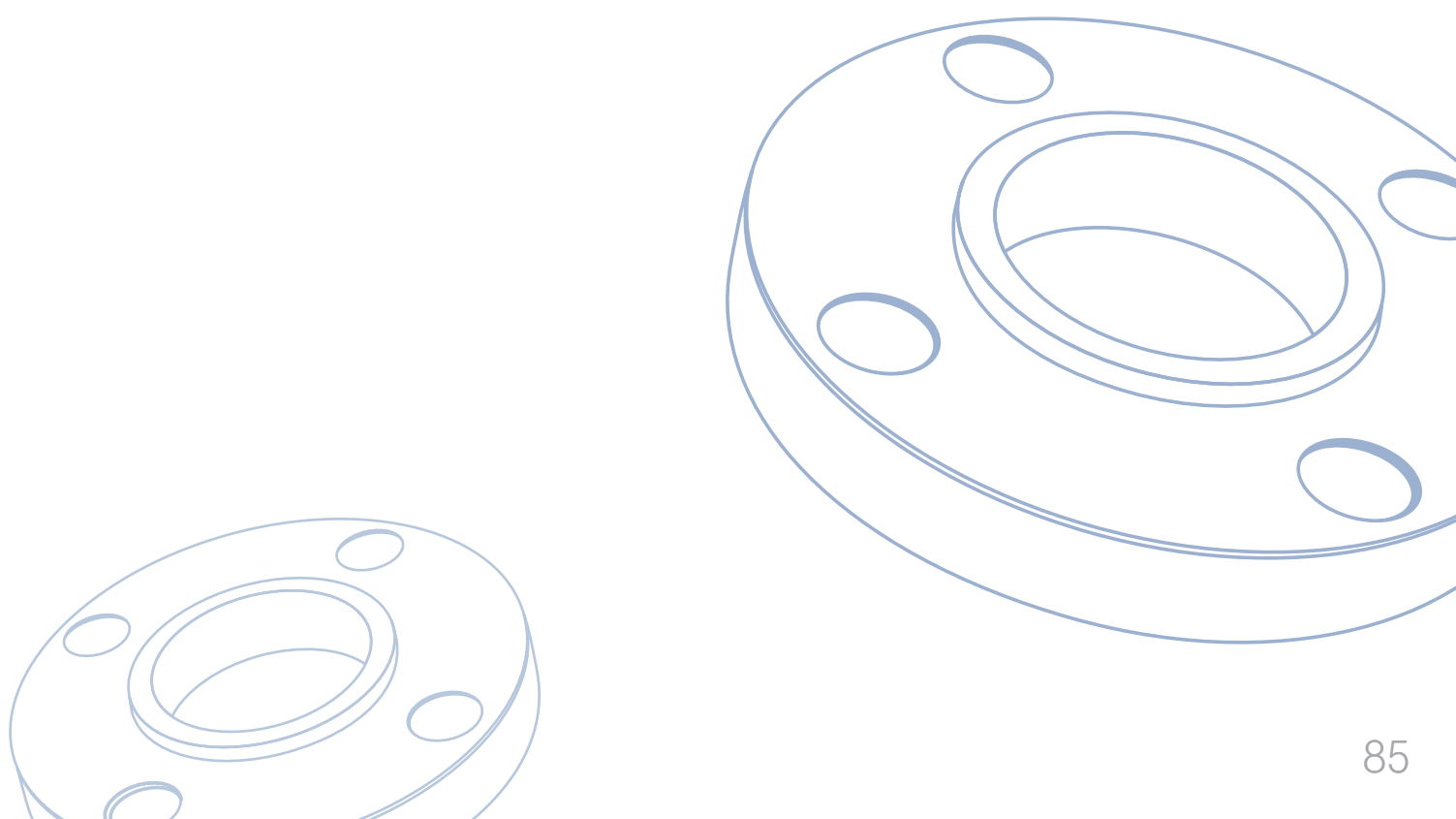
Compatible with Product Lines*

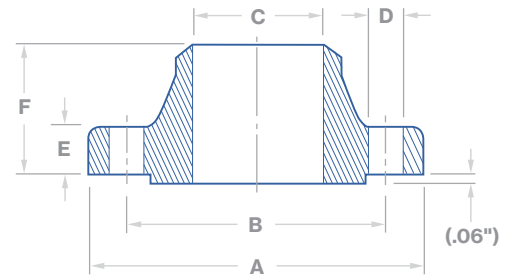
401 (EP)	LDEP (EP)	201 (BA-S)	101 (BA-S)	CFOS (BA/AP)
●		●	●	●
●		●	●	●
●	●	●	●	●
●	●	●	●	●
●	●	●	●	●
●	●	●	●	●
●	●	●	●	●
●	●	●	●	●
●	●	●	●	●
●	●	●	●	●
●	●	●	●	●
●	●	●	●	●
●	●	●	●	●
●	●	●	●	●
●	●	●	●	●
●	●	●	●	●
●	●	●	●	●
●	●	●	●	●
●	●	●	●	●
●	●	●	●	●
●	●	●	●	●

Dimensions in Millimeters

Size	A	B	C	D	E	F	G	H	R	# of Bolts				
15A	95	70	23.4	N/A	N/A	15	12	N/A	N/A	4				
20A	100	75	28.9			4								
25A	125	90	35.6			19	14			4				
32A	135	100	44.3			19	16			4				
40A	140	105	50.4			19	16			4				
50A	155	120	62.7			19	16			4				
65A	175	140	78.7			19	18			4				
80A	185	150	91.6			19	18			8				
100A	210	175	116.9			19	18			8				
125A	250	210	143.0			23	20			8				
150A	280	240	168.4			23	22			8				
200A	330	290	219.5			23	22			12				
250A	400	355	271.7			288	292			25	24	36	6	12
300A	445	400	322.8			340	346			25	24	38	6	16

* Lap joint flanges are only available in CFOS, but are compatible with the product lines listed above.



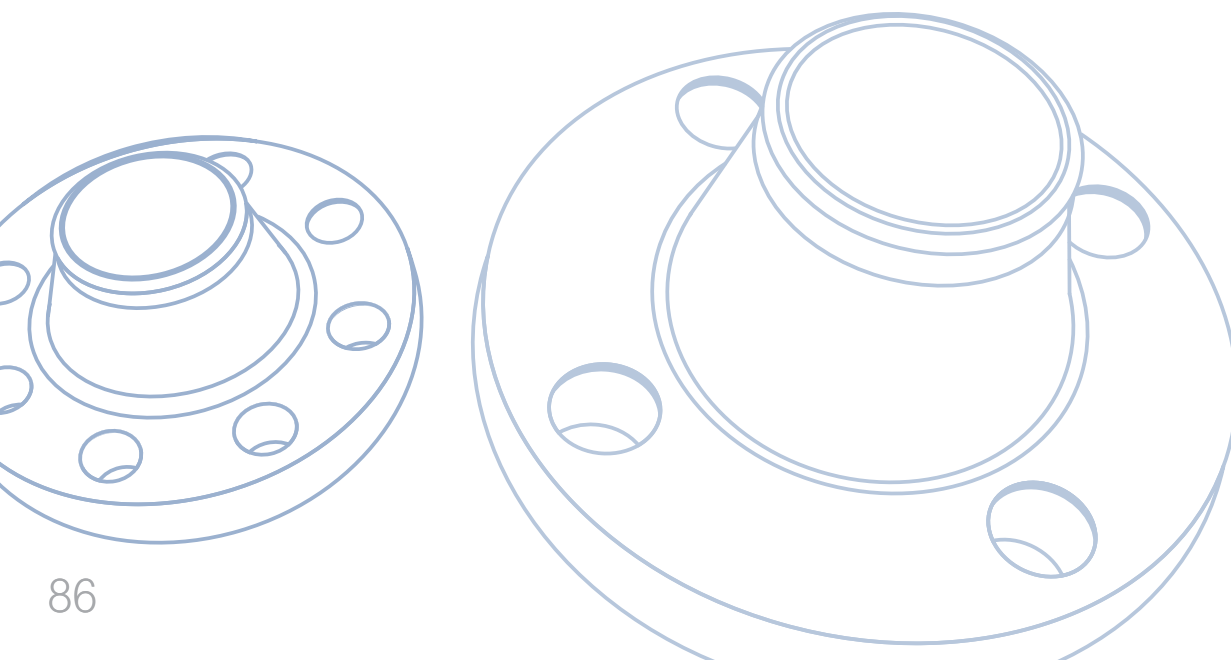


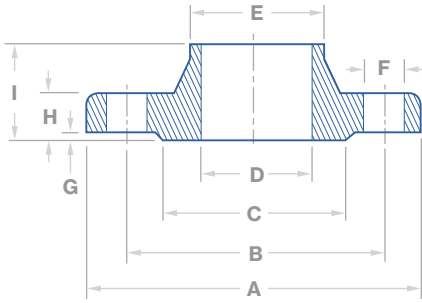
CONFIGURATION
38WN

Weld Neck Flange

ASME B16.5 Standard, Class 150

Product Lines		Dimensions in Inches							
LDEP (EP)	CFOS (BA/AP)	Size	A	B	C	D	E	F	# of Bolts
	●	NPS 1/2	90	60.3	15.8	15.9	9.6	46	4
	●	NPS 3/4	100	69.9	20.9	15.9	11.2	51	4
	●	NPS 1	110	79.4	26.6	15.9	12.7	54	4
	●	NPS 1-1/4	115	88.9	35.1	15.9	14.3	56	4
	●	NPS 1-1/2	125	98.4	40.9	15.9	15.9	60	4
●	●	NPS 2	150	120.7	52.5	19.1	17.5	62	4
●	●	NPS 2-1/2	180	139.7	62.7	19.1	20.7	68	4
●	●	NPS 3	190	152.4	77.9	19.1	22.3	68	4
●	●	NPS 3-1/2	215	177.8	90.1	19.1	22.3	70	8
●	●	NPS 4	230	190.5	102.3	19.1	22.3	75	8
●	●	NPS 5	255	215.9	128.2	22.2	22.3	87	8
●	●	NPS 6	280	241.3	154.1	22.2	23.9	87	8
●	●	NPS 8	345	298.5	202.7	22.2	27.0	100	8
●	●	NPS 10	405	362.0	254.6	25.4	28.6	100	12
●	●	NPS 12	485	431.8	304.8	25.4	30.2	113	12
	●	NPS 14	535	476.3	Customer Specified	28.6	33.4	125	12
	●	NPS 16	595	539.8		28.6	35.0	125	16
	●	NPS 18	635	577.9		31.8	38.1	138	16
	●	NPS 20	700	635.0		31.8	41.3	143	20
	●	NPS 24	815	749.3		34.9	46.1	151	20





Weld Neck Flange

JIS B2220 Standard, Nominal Pressure 5K

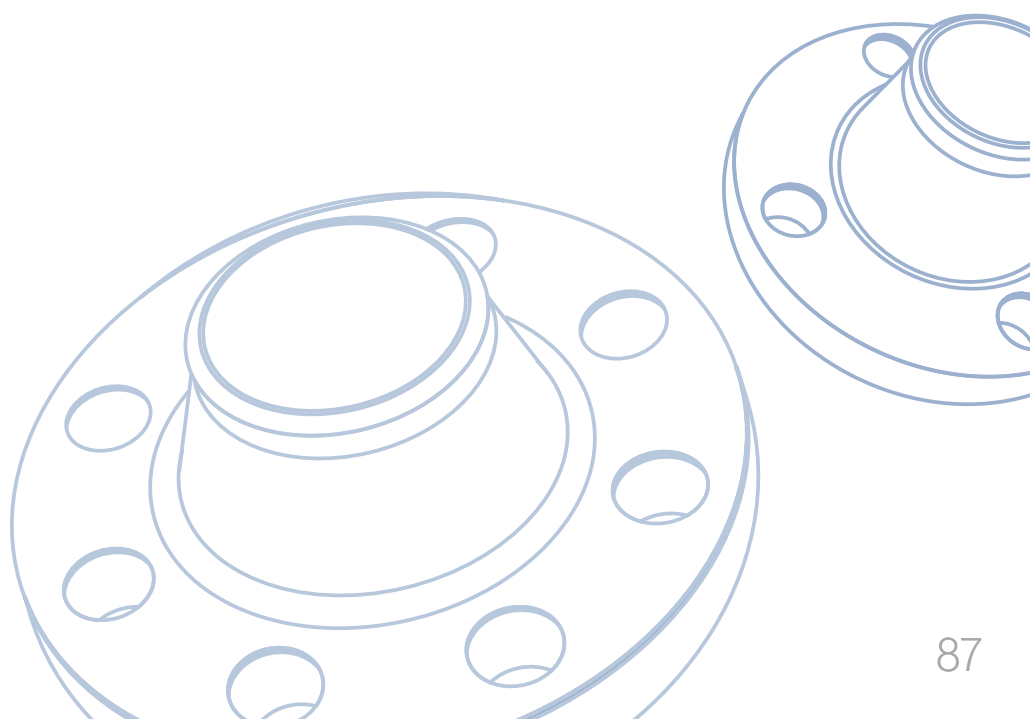
CONFIGURATION
38WN

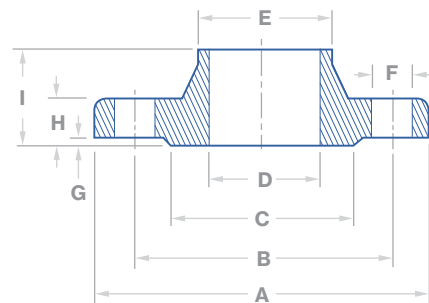
Product Lines

401 (EP)	LDEP (EP)	201 (BA-S)	101 (BA-S)	CFOS (BA/AP)
●				
●		●	●	●
●		●	●	●
●	●	●	●	●
●	●	●	●	●
●	●	●	●	●
●	●	●	●	●
●	●	●	●	●
●	●	●	●	●
●	●	●	●	●
●	●	●	●	●
●	●	●	●	●
●	●	●	●	●
●	●	●	●	●
●	●	●	●	●
●	●	●	●	●
●	●	●	●	●
●	●	●	●	●
●	●	●	●	●
●	●	●	●	●
●	●	●	●	●
●	●	●	●	●
●	●	●	●	●
●	●	●	●	●
●	●	●	●	●
●	●	●	●	●
●	●	●	●	●
●	●	●	●	●
●	●	●	●	●
●	●	●	●	●
●	●	●	●	●
●	●	●	●	●
●	●	●	●	●

Dimensions in Millimeters

Size	A	B	C	D	E	F	G	H	I	# of Bolts
10A	75	55	39	12.7	17.3	12	1	9	24	4
15A	80	60	44	16.1	21.7	12	1	9	25	4
20A	85	65	49	21.6	27.2	12	1	10	28	4
25A	95	75	59	27.6	34.0	12	1	10	30	4
32A	115	90	70	35.7	42.7	15	2	12	33	4
40A	120	95	75	41.6	48.6	15	2	12	34	4
50A	130	105	85	52.9	60.5	15	2	14	36	4
65A	155	130	110	67.9	76.3	15	2	14	39	4
80A	180	145	121	80.7	89.1	19	2	14	41	4
90A	190	155	131	93.2	101.6	19	2	14	41	4
100A	200	165	141	105.3	114.3	19	2	16	41	8
125A	235	200	176	130.8	139.8	19	2	16	43	8
150A	265	230	206	155.2	165.2	19	2	18	49	8
200A	320	280	252	204.7	216.3	23	2	20	53	8
250A	385	345	317	254.2	267.4	23	2	22	61	12
300A	430	390	360	304.7	318.5	23	3	22	62	12
350A	480	435	403	339.8	355.6	25	3	24	73	12
400A	540	495	463	390.6	406.4	25	3	24	76	16
450A	605	555	523	441.4	457.2	25	3	24	79	16
500A	655	605	573	492.2	508.0	25	3	24	79	20
550A	720	665	630	543.0	558.8	27	3	26	81	20
600A	770	715	680	593.8	609.6	27	3	26	81	20





CONFIGURATION
38WN

Weld Neck Flange

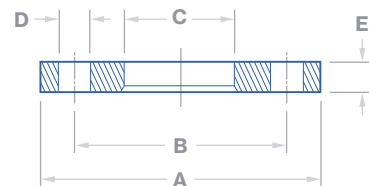
JIS B2220 Standard, Nominal Pressure 10K

Product Lines					Dimensions in Millimeters										
401 (EP)	LDEP (EP)	201 (BA-S)	101 (BA-S)	CFOS (BA/AP)	Size	A	B	C	D	E	F	G	H	I	# of Bolts
●					10A	90	65	46	12.7	17.3	15	1	12	29	4
●		●	●	●	15A	95	70	51	16.1	21.7	15	1	12	31	4
●		●	●	●	20A	100	75	56	21.6	27.2	15	1	14	32	4
●	●	●	●	●	25A	125	90	67	27.6	34.0	19	1	14	36	4
●	●	●	●	●	32A	135	100	76	35.7	42.7	19	2	16	38	4
●	●	●	●	●	40A	140	105	81	41.6	48.6	19	2	16	38	4
●	●	●	●	●	50A	155	120	96	52.9	60.5	19	2	16	40	4
●	●	●	●	●	65A	175	140	116	67.9	76.3	19	2	18	44	4
●	●	●	●	●	80A	185	150	126	80.7	89.1	19	2	18	45	8
●	●	●	●	●	90A	195	160	136	93.2	101.6	19	2	18	45	8
●	●	●	●	●	100A	210	175	151	105.3	114.3	19	2	18	45	8
●	●	●	●	●	125A	250	210	182	130.8	139.8	23	2	20	47	8
●	●	●	●	●	150A	280	240	212	155.2	165.2	23	2	22	53	8
●	●	●	●	●	200A	330	290	262	204.7	216.3	23	2	22	58	12
●	●	●	●	●	250A	400	355	324	254.2	267.4	25	2	24	65	12
●	●	●	●	●	300A	445	400	368	304.7	318.5	25	3	24	68	16
●	●	●	●	●	350A	490	445	413	339.8	355.6	25	3	26	79	16
●	●	●	●	●	400A	560	510	475	390.6	406.4	27	3	28	85	16
●	●	●	●	●	450A	620	565	530	441.4	457.2	27	3	30	90	20
●	●	●	●	●	500A	675	620	585	492.2	508.0	27	3	30	99	20
●	●	●	●	●	550A	745	680	640	543.0	558.8	33	3	32	111	20
●	●	●	●	●	600A	795	730	690	593.8	609.6	33	3	32	112	24

CONFIGURATION
38PF
Use With
38LE/38SE

Tube Plate Flange

Valex Standard, ASTM Tube



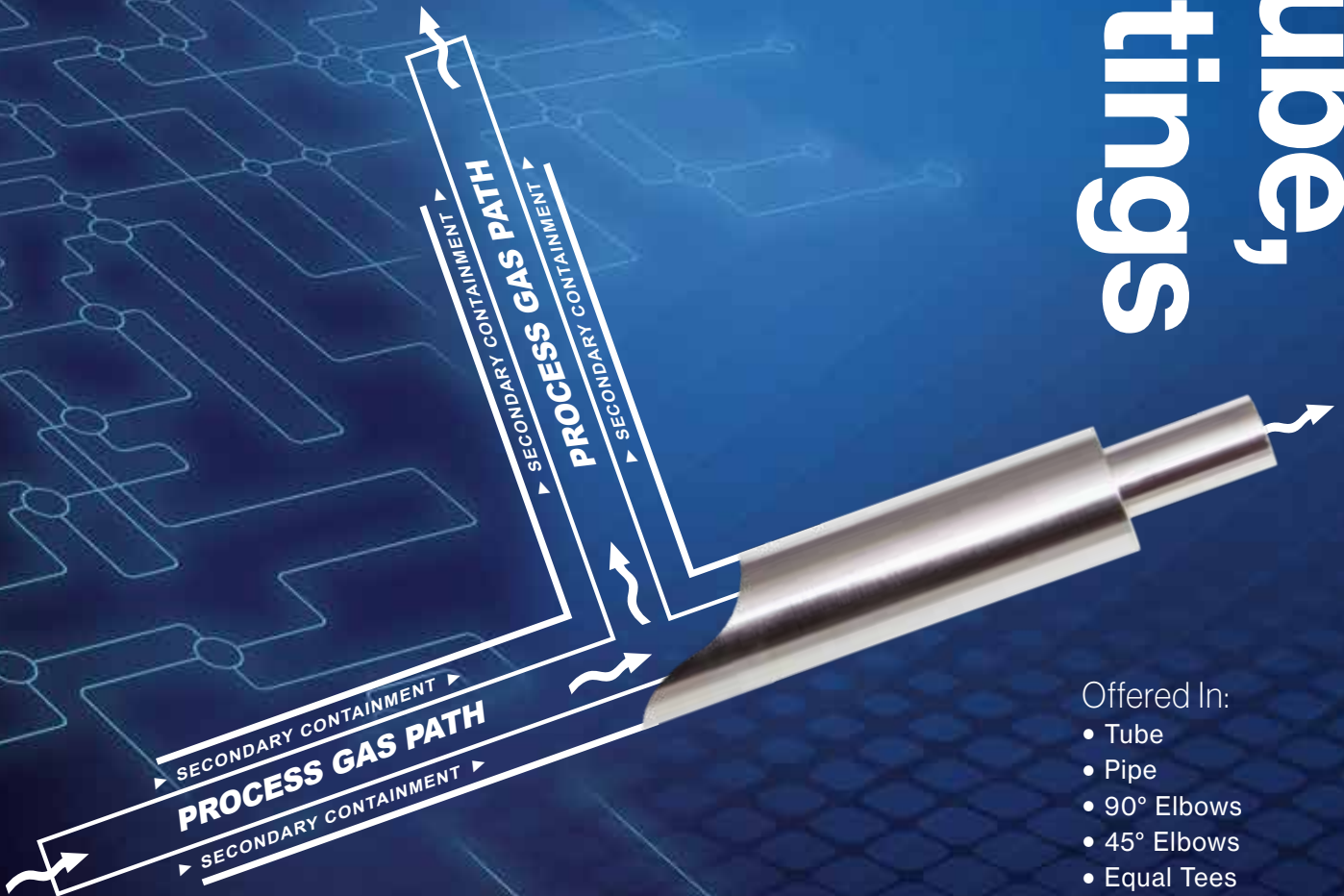
Compatible with Product Lines		Dimensions in Inches						
401 (EP)	201 (BA-S)	Size	A	B*	C	D	E	# of Bolts
●	●	1/2"	3.50	2.38	.563	.625	.38	4
●	●	3/4"	3.88	2.75	.788	.625	.44	4
●	●	1"	4.25	3.13	1.063	.625	.50	4
●	●	1-1/2"	5.00	3.88	1.563	.625	.62	4
●	●	2"	6.00	4.75	2.063	.750	.69	4
●	●	2-1/2"	7.00	5.50	2.563	.750	.81	4
●	●	3"	7.50	6.00	3.063	.750	.88	4
●	●	4"	9.00	7.50	4.063	.750	.88	8
●	●	6"	11.00	9.50	6.063	.875	.94	8

* Tube plate flanges are only available in 201, but compatible with the product lines shown above.

Coaxial Tube, Pipe & Fittings

Coaxial Tube System

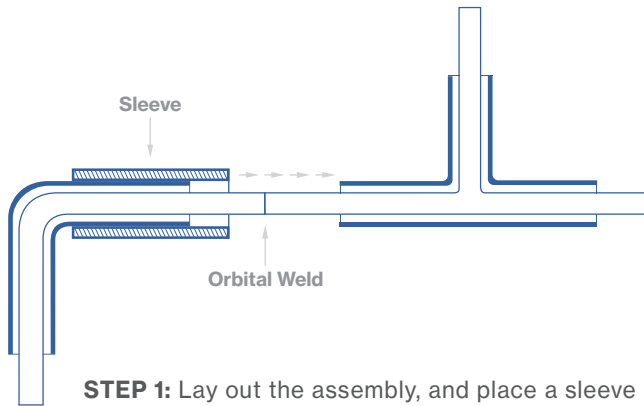
Valex pioneered the stainless steel Coaxial Tube System more than 30 years ago to meet the requirements set forth in codes and ordinances written at the inception of the semiconductor industry. Since then, we've gone on to design and deliver a full range of tube, pipe and fittings that "double-contain" toxic and hazardous gases for particularly dangerous processes. To provide absolute safety, all coaxial products are designed for automatic orbital welding in joint connections.



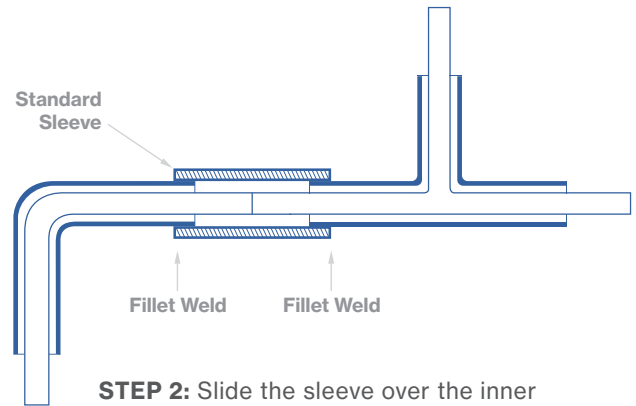
Offered In:

- Tube
- Pipe
- 90° Elbows
- 45° Elbows
- Equal Tees
- Reducing Tees
- Concentric Reducers
- Purge Tees
- Sleeves
- Weld Glands
- Terminators
- Bulkhead Fittings

Sleeve Assembly:

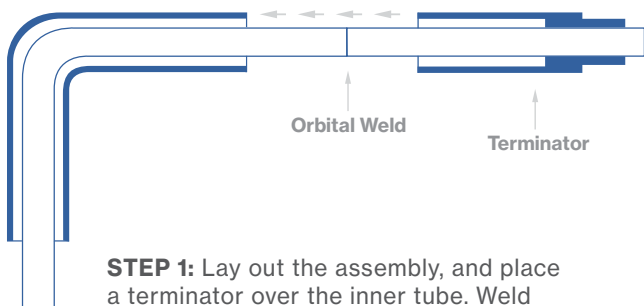


STEP 1: Lay out the assembly, and place a sleeve over one of the fittings. Weld the inner tube together, helium-leak test, and inspect the weld.

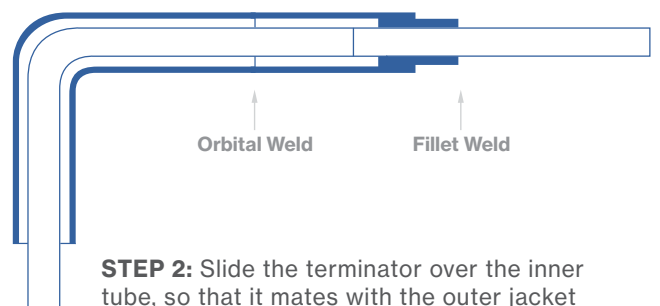


STEP 2: Slide the sleeve over the inner tube, so that it completely covers the gap between both outer jackets. Weld both ends, helium-leak test, and inspect.

Terminator Assembly:

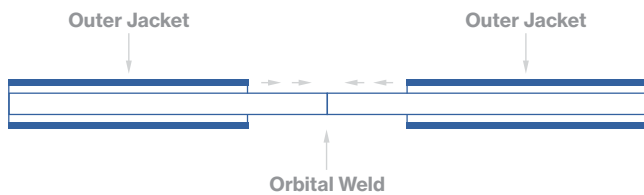


STEP 1: Lay out the assembly, and place a terminator over the inner tube. Weld the inner tubes together, helium-leak test, and inspect.

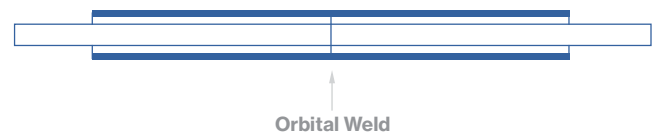


STEP 2: Slide the terminator over the inner tube, so that it mates with the outer jacket of the fitting. Weld both ends, helium-leak test, and inspect.

Tube to Tube Assembly:



STEP 1: Lay out the assembly. Weld the inner tubes together, helium-leak test, and inspect.

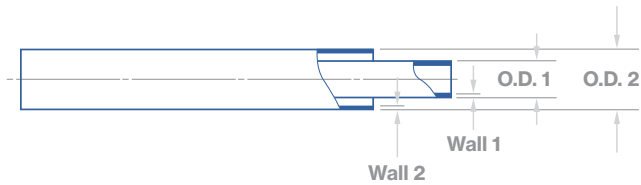


STEP 2: Slide the outer jackets together, so they completely enclose the inner tube. Weld, helium-leak test, and inspect.



Coaxial Tube

ASTM A269 / A632



Product Lines			
401 (EP)	301 (EP)	201 (BA-S)	101 (BA-S)
●	●	●	●
●	●	●	●
●	●	●	●
●	●	●	●
●	●	●	●
●	●	●	●
●	●	●	●
●	●	●	●
●	●	●	●
●	●	●	●

Dimensions in Inches									
Size* Inner Tube	Inner Tube		Size Outer Tube	Outer Tube		Weight per foot (lbs.)	Maximum Pressure**		
	O.D. 1	Wall 1		O.D. 2	Wall 2		PSI	Bar	
1/4"	.250	.035	1/2"	.500	.049	.32	2,509	173	
1/4"	.250	.039	1/2"	.500	.049	.33	2,509	173	
3/8"	.375	.035	5/8"	.625	.049	.43	1,981	137	
3/8"	.375	.039	5/8"	.625	.049	.44	1,981	137	
1/2"	.500	.049	3/4"	.750	.065	.72	2,207	152	
3/4"	.750	.065	1"	1.00	.065	1.13	1,631	113	
1"	1.00	.065	1-1/4"	1.25	.065	1.48	1,294	89	
1-1/2"	1.50	.065	2"	2.00	.065	2.36	796	55	
2"	2.00	.065	2-1/2"	2.50	.065	3.06	635	44	

* Size is based on o.d. of inner tube.
** Gauge pressure is listed.

- Notes:
- Maximum safe pressure calculated per ASME B 31.3-2020, paragraph 304.1.2 (formula 3a). Calculations assume maximum allowable o.d. and minimum allowable wall thickness (worst case scenario) for the outer jacket only.
 - Pressures listed in the chart above are based on welded outer jacket material. Inner tube and outer jacket tube material per ASTM A269 TP 304L or TP 316L.

Coaxial Tube

V22® Alloy (N06022) Inner Tube³
with Stainless Steel Outer Jacket

Product Line
222 (BA-S)
●
●
●

Dimensions in Inches									
Size* Inner Tube	Inner Tube		Size Outer Tube	Outer Tube		Weight per foot (lbs.)	Maximum Pressure**		
	O.D. 1	Wall 1		O.D. 2	Wall 2		PSI	Bar	
1/4"	.250	.035	1/2"	.500	.049	.33	2,509	173	
3/8"	.375	.035	5/8"	.625	.049	.44	1,981	137	
1/2"	.500	.049	3/4"	.750	.065	.74	2,207	152	

* Size is based on o.d. of inner tube.
** Gauge pressure is listed.

- Notes:
- Maximum safe pressure calculated per ASME B 31.3-2020, paragraph 304.1.2 (formula 3a). Calculations assume maximum allowable o.d. and minimum allowable wall thickness (worst case scenario) for the outer jacket only.
 - Pressures listed in the chart above are based on welded outer jacket material per ASTM A269 TP 304L or TP 316L. Inner tube material is V22® Alloy (UNS N06022).
 - Material: Haynes Hastelloy® C-22® is available upon request. Hastelloy and C-22 are registered trademarks of Haynes International Inc.

Coaxial Pipe

JIS G3459, Schedule 5S

Product Line		
401 (EP)	201 (BA-S)	101 (BA-S)
●		
●	●	●
●	●	●
●	●	●
●	●	●

Dimensions in Millimeters									
Size* Inner Pipe	Inner Pipe		Size Outer Pipe	Outer Pipe		Weight per meter (kg.)	Maximum Pressure**		
	O.D. 1	Wall 1		O.D. 2	Wall 2		kg/cm ²	MPa	
10A	17.3	1.20	20A	27.2	1.65	1.53	103.45	10.1	
15A	21.7	1.65	25A	34.0	1.65	2.14	82.12	8.1	
20A	27.2	1.65	32A	42.7	1.65	2.73	64.89	6.4	
25A	34.0	1.65	40A	48.6	1.65	3.24	56.81	5.6	
32A	42.7	1.65	40A	48.6	1.65	3.60	56.81	5.6	

* Size is based on o.d. of inner tube.
** Gauge pressure is listed.

- Notes:
- Maximum safe pressure calculated per ASME B 31.3-2020, paragraph 304.1.2 (formula 3a). Calculations assume maximum allowable o.d. and minimum allowable wall thickness (worst case scenario) for the outer jacket only.
 - Pressures listed in the chart above are based on welded outer jacket material. Inner pipe and outer jacket pipe material per SUS 304LTP or SUS 316LTP per JIS G3459, and SUS 304 LTPY, SUS 316 LTPY per JIS G3468.

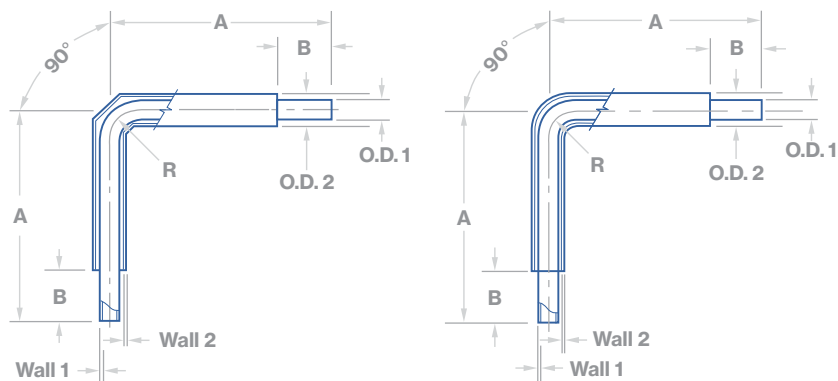


Dimensions

Coaxial 90° Elbow

CONFIGURATION
2

Valex Standard, ASTM Tube



Product Lines

401 (EP)	201 (BA-S)	222 (BA-S)
●	●	●
●	●	●
●	●	●
●	●	●
●	●	●
●	●	●
●	●	●

Dimensions in Inches

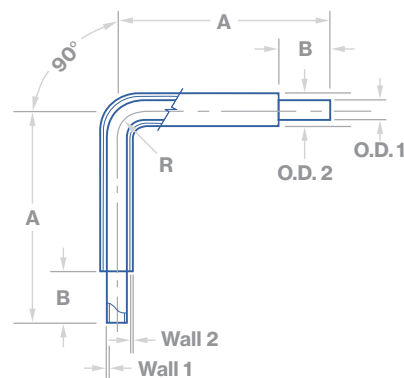
Size* Inner Tube	Inner Tube		Size Outer Tube	Outer Tube		A	B	R
	O.D. 1	Wall 1		O.D. 2	Wall 2			
1/4"	.250	.035	1/2"	.500	.049	4.375	1.00	.98
3/8"	.375	.035	5/8"	.625	.049	4.125	1.00	1.10
1/2"	.500	.049	3/4"	.750	.065	4.250	1.00	1.38
3/4"	.750	.065	1"	1.000	.065	6.750	1.75	1.88
1"	1.000	.065	1-1/4"	1.250	.065	7.125	1.75	1.50
1-1/2"	1.500	.065	2"	2.000	.065	8.375	2.00	2.25
2"	2.000	.065	2-1/2"	2.500	.065	9.000	2.00	3.00

* Size is based on o.d. of inner tube.

Coaxial 90° Elbow

CONFIGURATION
2

Valex Standard, JIS Pipe



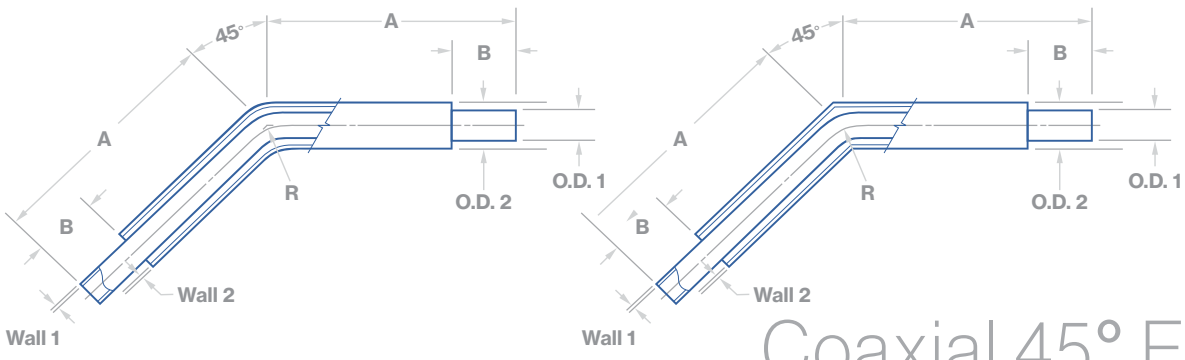
Product Lines

401 (EP)	201 (BA-S)
●	●
●	●
●	●
●	●
●	●
●	●
●	●
●	●
●	●

Dimensions in Millimeters

Size* Inner Pipe	Inner Pipe		Size Outer Pipe	Outer Pipe		A	B	R
	O.D. 1	5S Wall 1		O.D. 2	5S Wall 2			
10A	17.3	1.20	20A	27.2	1.65	124	40	47.6
15A	21.7	1.65	25A	34.0	1.65	134	40	57.2
20A	27.2	1.65	32A	42.7	1.65	163	40	76.2
25A	34.0	1.65	40A	48.6	1.65	182	40	95.3
32A	42.7	1.65	50A	60.5	1.65	143	46	47.6
40A	48.6	1.65	50A	60.5	1.65	168	46	57.2
40A	48.6	1.65	65A	76.3	2.10	161	46	57.2
50A	60.5	1.65	80A	89.1	2.10	174	46	76.2
65A	76.3	2.10	100A	114.3	2.10	204	51	95.3
80A	89.1	2.10	100A	114.3	2.10	204	51	114.3

* Size is based on o.d. of inner pipe.



Dimensions

Coaxial 45° Elbow

Valex Standard, ASTM Tube



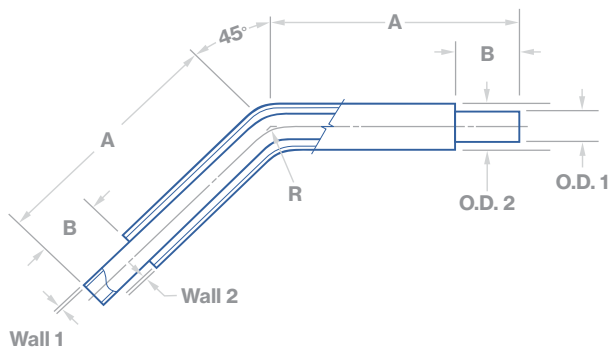
Product Lines

401 (EP)	201 (BA-S)	222 (BA-S)
●	●	●
●	●	●
●	●	●
●	●	●
●	●	●
●	●	●
●	●	●

Dimensions in Inches

Size* Inner Tube	Inner Tube		Size Outer Tube	Outer Tube		A	B	R
	O.D. 1	Wall 1		O.D. 2	Wall 2			
1/4"	.250	.035	1/2"	.500	.049	4.000	1.00	.98
3/8"	.375	.035	5/8"	.625	.049	3.875	1.00	1.10
1/2"	.500	.049	3/4"	.750	.065	3.875	1.00	1.38
3/4"	.750	.065	1"	1.000	.065	6.125	1.75	1.88
1"	1.000	.065	1-1/4"	1.250	.065	6.250	1.75	1.50
1-1/2"	1.500	.065	2"	2.000	.065	7.120	2.00	2.25
2"	2.000	.065	2-1/2"	2.500	.065	8.000	2.00	3.00

* Size is based on o.d. of inner tube.



Coaxial 45° Elbow

Valex Standard, JIS Pipe



Product Lines

401 (EP)	201 (BA-S)
●	●
●	●
●	●
●	●
●	●
●	●
●	●
●	●
●	●

Dimensions in Millimeters

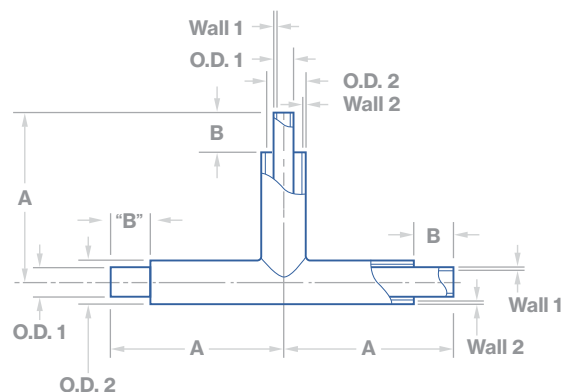
Size* Inner Pipe	Inner Tube		Size Outer Pipe	Outer Pipe		A	B	R
	O.D. 1	5S Wall 1		O.D. 2	5S Wall 2			
10A	17.3	1.20	20A	27.2	1.65	96	40	47.6
15A	21.7	1.65	25A	34.0	1.65	100	40	57.2
20A	27.2	1.65	32A	42.7	1.65	118	40	76.2
25A	34.0	1.65	40A	48.6	1.65	126	40	95.3
32A	42.7	1.65	50A	60.5	1.65	124	46	47.6
40A	48.6	1.65	50A	60.5	1.65	149	46	57.2
40A	48.6	1.65	65A	76.3	2.10	137	46	57.2
50A	60.5	1.65	80A	89.1	2.10	145	46	76.2
65A	76.3	2.10	100A	114.3	2.10	166	51	95.3
80A	89.1	2.10	100A	114.3	2.10	166	51	114.3

* Size is based on o.d. of inner pipe.

CONFIGURATION
7

Coaxial Equal Tee

Valex Standard, ASTM Tube



Product Lines

401 (EP)	201 (BA-S)	222 (BA-S)
●	●	●
●	●	●
●	●	●
●	●	●
●	●	●
●	●	●
●	●	●

Dimensions in Inches

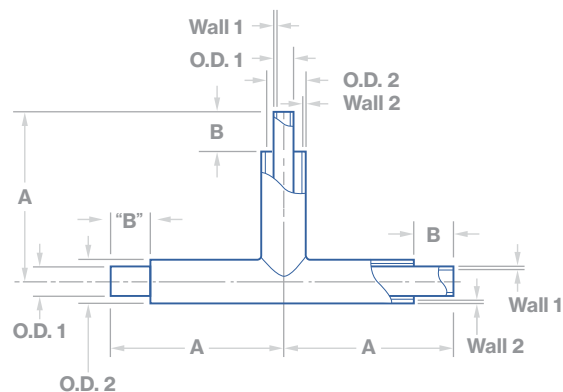
Size* Inner Tube	Inner Tube		Size* Outer Tube	Outer Tube		A	B
	O.D. 1	Wall 1		O.D. 2	Wall 2		
1/4" x 1/4"	.250	.035 / .039	1/2" x 1/2"	.500	.049	3.875	1.00
3/8" x 3/8"	.375	.035 / .039	5/8" x 5/8"	.625	.049	4.000	1.00
1/2" x 1/2"	.500	.049	3/4" x 3/4"	.750	.065	4.000	1.00
3/4" x 3/4"	.750	.065	1" x 1"	1.000	.065	6.375	1.75
1" x 1"	1.000	.065	1-1/4" x 1-1/4"	1.250	.065	6.500	1.75
1-1/2" x 1-1/2"	1.500	.065	2" x 2"	2.000	.065	7.625	2.00
2" x 2"	2.000	.065	2-1/2" x 2-1/2"	2.500	.065	8.000	2.00

* Size is based on o.d. of inner tube.

CONFIGURATION
7

Coaxial Equal Tee

Valex Standard, JIS Pipe



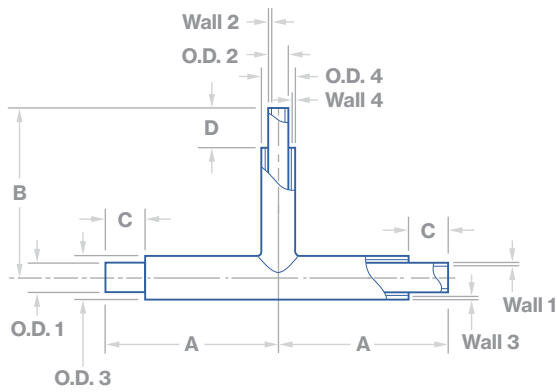
Product Lines

401 (EP)	201 (BA-S)
●	●
●	●
●	●
●	●
●	●
●	●
●	●
●	●
●	●
●	●

Dimensions in Millimeters

Size* Inner Pipe	Inner Pipe		Size* Outer Pipe	Outer Pipe		A	B
	O.D. 1	5S Wall 1		O.D. 2	5S Wall 2		
10A x 10A	17.3	1.20	20A x 20A	27.2	1.65	95	40
15A x 15A	21.7	1.65	25A x 25A	34.0	1.65	99	40
20A x 20A	27.2	1.65	32A x 32A	42.7	1.65	114	40
25A x 25A	34.0	1.65	40A x 40A	48.6	1.65	117	40
32A x 32A	42.7	1.65	50A x 50A	60.5	1.65	129	46
40A x 40A	48.6	1.65	50A x 50A	60.5	1.65	129	46
40A x 40A	48.6	1.65	65A x 65A	76.3	2.10	143	46
50A x 50A	60.5	1.65	80A x 80A	89.1	2.10	149	46
65A x 65A	76.3	2.10	100A x 100A	114.3	2.10	167	51
80A x 80A	89.1	2.10	100A x 100A	114.3	2.10	167	51

* Size is based on o.d. of inner pipe.



Coaxial Reducing Tee

Valex Standard, ASTM Tube



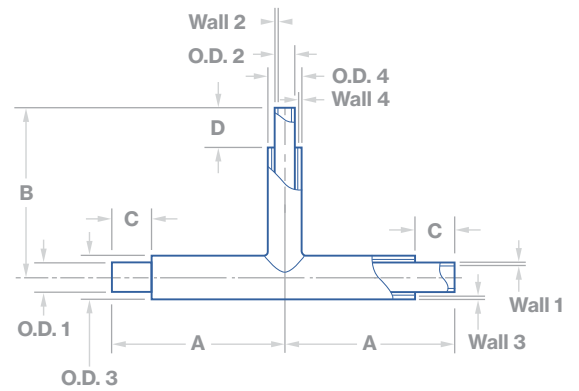
Product Lines

401 (EP)	201 (BA-S)
●	●
●	●
●	●
●	●
●	●
●	●
●	●
●	●
●	●
●	●
●	●
●	●
●	●
●	●

Dimensions in Inches

Size* Inner Tube	Inner Tube				Size Outer Tube	Outer Tube				A	B	C	D
	O.D. 1	Wall 1	O.D. 2	Wall 2		O.D. 3	Wall 3	O.D. 4	Wall 4				
3/8" x 1/4"	.375	.035 / .039	.250	.035 / .039	5/8" x 1/2"	.625	.049	.500	.049	3.875	4.125	1.00	1.00
1/2" x 1/4"	.500	.049	.250	.035 / .039	3/4" x 1/2"	.750	.065	.500	.049	3.875	4.125	1.00	1.00
1/2" x 3/8"	.500	.049	.375	.035 / .039	3/4" x 5/8"	.750	.065	.625	.049	4.000	4.125	1.00	1.00
3/4" x 1/4"	.750	.065	.250	.035 / .039	1" x 1/2"	1.000	.065	.500	.049	6.125	4.250	1.75	1.00
3/4" x 3/8"	.750	.065	.375	.035 / .039	1" x 5/8"	1.000	.065	.625	.049	6.250	4.250	1.75	1.00
3/4" x 1/2"	.750	.065	.500	.049	1" x 3/4"	1.000	.065	.750	.065	6.250	4.250	1.75	1.00
1" x 1/4"	1.000	.065	.250	.035 / .039	1-1/4" x 1/2"	1.250	.065	.500	.049	6.125	4.375	1.75	1.00
1" x 3/8"	1.000	.065	.375	.035 / .039	1-1/4" x 5/8"	1.250	.065	.625	.049	6.250	4.375	1.75	1.00
1" x 1/2"	1.000	.065	.500	.049	1-1/4" x 3/4"	1.250	.065	.750	.065	6.250	4.375	1.75	1.00
1" x 3/4"	1.000	.065	.750	.065	1-1/4" x 1"	1.250	.065	1.000	.065	6.375	6.625	1.75	1.75
1-1/2" x 1/2"	1.500	.065	.500	.049	2" x 3/4"	2.000	.065	.750	.065	7.000	7.000	2.00	1.75
1-1/2" x 3/4"	1.500	.065	.750	.065	2" x 1"	2.000	.065	1.000	.065	7.125	7.000	2.00	1.75
1-1/2" x 1"	1.500	.065	1.000	.065	2" x 1-1/4"	2.000	.065	1.250	.065	7.250	7.000	2.00	1.75
2" x 1/2"	2.000	.065	.500	.049	2-1/2" x 3/4"	2.500	.065	.750	.065	7.750	9.000	2.00	1.75
2" x 1"	2.000	.065	1.000	.065	2-1/2" x 1-1/4"	2.500	.065	1.250	.065	8.000	7.250	2.00	1.75

* Size is based on o.d. of inner tube.



CONFIGURATION
7R

Coaxial Reducing Tee

Valex Standard, JIS Pipe

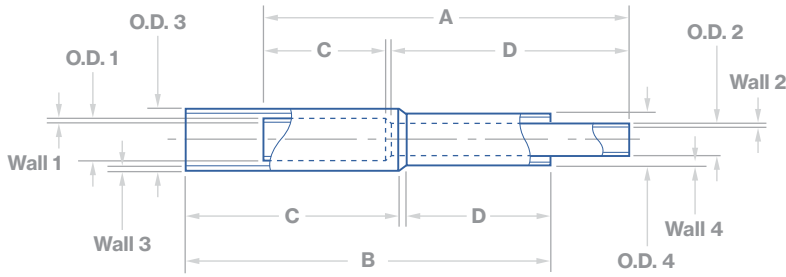
Product Lines

401 (EP)	201 (BA-S)
●	●
●	●
●	●
●	●
●	●
●	●
●	●
●	●
●	●
●	●

Dimensions in Millimeters

Size* Inner Pipe	Inner Pipe				Size Outer Pipe	Outer Pipe				A	B	C	D
	O.D. 1	5S Wall 1	O.D. 2	5S Wall 2		O.D. 3	5S Wall 3	O.D. 4	5S Wall 4				
15A x 10A	21.7	1.65	17.3	1.20	25A x 15A	34.0	1.65	21.7	1.65	99	99	40	40
20A x 10A	27.2	1.65	17.3	1.65	32A x 15A	42.7	1.65	21.7	1.65	108	102	40	40
20A x 15A	27.2	1.65	21.7	1.65	32A x 20A	42.7	1.65	27.2	1.65	108	102	40	40
25A x 10A	34.0	1.65	17.3	1.65	40A x 20A	48.6	1.65	27.2	1.65	108	105	40	40
25A x 15A	34.0	1.65	21.7	1.65	40A x 25A	48.6	1.65	34.0	1.65	108	105	40	40
25A x 20A	34.0	1.65	27.2	1.65	40A x 32A	48.6	1.65	42.7	1.65	117	117	40	40
32A x 10A	42.7	1.65	17.3	1.65	50A x 15A	60.5	1.65	21.7	1.65	114	111	46	40
32A x 15A	42.7	1.65	21.7	1.65	50A x 20A	60.5	1.65	27.2	1.65	114	111	46	40
32A x 20A	42.7	1.65	27.2	1.65	50A x 32A	60.5	1.65	42.7	1.65	129	123	46	40
32A x 25A	42.7	1.65	34.0	1.65	50A x 40A	60.5	1.65	48.6	1.65	129	123	46	40

* Size is based on o.d. of inner tube.



Coaxial Concentric Reducer

Valex Standard, ASTM Tube

CONFIGURATION
31

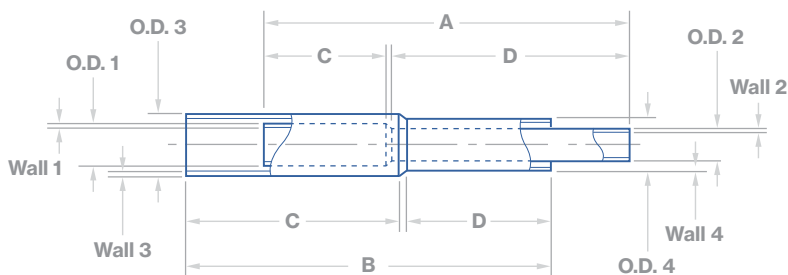
Product Lines

401 (EP)	201 (BA-S)	222 (BA-S)
•	•	•
•	•	•
•	•	•
•	•	
•	•	
•	•	
•	•	
•	•	
•	•	
•	•	
•	•	
•	•	
•	•	
•	•	
•	•	
•	•	
•	•	
•	•	
•	•	
•	•	
•	•	
•	•	
•	•	
•	•	

Dimensions in Inches

Size* Inner Tube	Inner Tube				Size Outer Tube	Outer Tube				A	B	C		D	
	O.D. 1	Wall 1	O.D. 2	Wall 2		O.D. 3	Wall 3	O.D. 4	Wall 4			Inner	Outer	Inner	Outer
3/8" x 1/4"	.375	.035 / .039	.250	.035 / .039	5/8" x 1/2"	.625	.049	.500	.049	4.00	4.00	1.34	2.34	2.60	1.47
1/2" x 1/4"	.500	.049	.250	.035 / .039	3/4" x 1/2"	.750	.065	.500	.049	4.00	4.00	1.31	2.31	2.56	1.56
1/2" x 3/8"	.500	.049	.375	.035 / .039	3/4" x 5/8"	.750	.065	.625	.049	4.00	4.00	1.34	2.34	2.59	1.59
3/4" x 1/4"	.750	.065	.250	.035 / .039	1" x 1/2"	1.000	.065	.500	.049	5.00	5.75	2.00	3.88	2.75	1.63
3/4" x 3/8"	.750	.065	.375	.035 / .039	1" x 5/8"	1.000	.065	.625	.065	5.00	5.75	2.03	3.79	2.78	1.54
3/4" x 1/2"	.750	.065	.500	.049	1" x 3/4"	1.000	.065	.750	.065	5.00	5.75	2.06	3.94	2.81	1.69
1" x 1/4"	1.000	.065	.250	.035 / .039	1-1/4" x 1/2"	1.250	.065	.500	.049	5.00	5.75	2.06	3.81	2.56	1.56
1" x 3/8"	1.000	.065	.375	.035 / .039	1-1/4" x 5/8"	1.250	.065	.625	.049	5.00	5.75	2.09	3.84	2.59	1.59
1" x 1/2"	1.000	.065	.500	.049	1-1/4" x 3/4"	1.250	.065	.750	.065	5.00	5.75	2.13	3.88	2.63	1.63
1" x 3/4"	1.000	.065	.750	.065	1-1/4" x 1"	1.250	.065	1.000	.065	6.50	6.50	2.19	3.94	4.19	2.44
1-1/2" x 1/4"	1.500	.065	.250	.035 / .039	2" x 1/2"	2.000	.065	.500	.049	5.75	6.75	2.31	4.38	2.81	1.63
1-1/2" x 3/8"	1.500	.065	.375	.035 / .039	2" x 5/8"	2.000	.065	.625	.049	5.75	6.75	2.34	4.41	2.84	1.66
1-1/2" x 1/2"	1.500	.065	.500	.049	2" x 3/4"	2.000	.065	.750	.065	5.75	6.75	2.38	4.44	2.88	1.69
1-1/2" x 3/4"	1.500	.065	.750	.065	2" x 1"	2.000	.065	1.000	.065	7.25	7.50	2.44	4.50	4.44	2.50
1-1/2" x 1"	1.500	.065	1.000	.065	2" x 1-1/4"	2.000	.065	1.250	.065	7.25	7.50	2.50	4.56	4.50	2.56
2" x 1/4"	2.000	.065	.250	.035 / .039	2-1/2" x 1/2"	2.500	.065	.500	.049	6.00	7.00	2.31	4.38	2.81	1.63
2" x 3/8"	2.000	.065	.375	.035 / .039	2-1/2" x 5/8"	2.500	.065	.625	.049	6.00	7.00	2.34	4.41	2.84	1.66
2" x 1/2"	2.000	.065	.500	.049	2-1/2" x 3/4"	2.500	.065	.750	.065	6.00	7.00	2.38	4.44	2.88	1.69
2" x 3/4"	2.000	.065	.750	.065	2-1/2" x 1"	2.500	.065	1.000	.065	7.50	7.75	2.44	4.50	4.44	2.50
2" x 1"	2.000	.065	1.000	.065	2-1/2" x 1-1/4"	2.500	.065	1.250	.065	7.50	7.75	2.50	4.56	4.50	2.56
2" x 1-1/2"	2.000	.065	1.500	.065	2-1/2" x 2"	2.500	.065	2.000	.065	8.00	8.00	2.63	4.75	5.13	3.00

* Size is based on o.d. of inner tube.



CONFIGURATION
31

Coaxial Concentric Reducer

Valex Standard, JIS Pipe

Product Lines

401 (EP)	201 (BA-S)
●	●
●	●
●	●
●	●
●	●
●	●
●	●
●	●
●	●
●	●

Dimensions in Millimeters

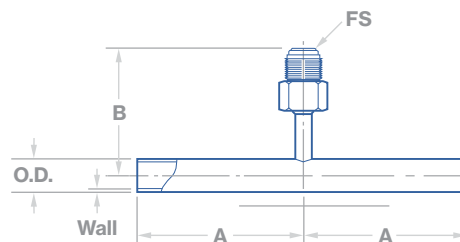
Size* Inner Pipe	Inner Pipe				Size Outer Pipe	Outer Pipe				A	B	C		D	
	O.D. 1	5S Wall 1	O.D. 2	5S Wall 2		O.D. 3	5S Wall 3	O.D. 4	5S Wall 4			Inner	Outer	Inner	Outer
15A x 10A	21.7	1.65	17.3	1.20	25A x 20A	34.0	1.65	27.2	1.65	150.0	160.0	36.0	75.4	85.4	36.0
20A x 10A	27.2	1.65	17.3	1.20	32A x 20A	42.7	1.65	27.2	1.65	155.0	155.0	36.0	75.4	85.4	36.0
20A x 15A	27.2	1.65	21.7	1.65	32A x 25A	42.7	1.65	34.0	1.65	155.0	155.0	36.0	75.4	85.4	36.0
25A x 10A	34.0	1.65	17.3	1.20	40A x 20A	48.6	1.65	27.2	1.65	160.0	160.0	36.0	75.4	75.4	36.0
25A x 15A	34.0	1.65	21.7	1.65	40A x 25A	48.6	1.65	34.0	1.65	160.0	160.0	36.0	75.4	75.4	36.0
25A x 20A	34.0	1.65	27.2	1.65	40A x 32A	48.6	1.65	42.7	1.65	160.0	160.0	36.0	75.4	75.4	46.0
32A x 10A	42.7	1.65	17.3	1.20	50A x 20A	60.5	1.65	27.2	1.65	170.0	170.0	46.0	75.4	80.4	36.0
32A x 15A	42.7	1.65	21.7	1.65	50A x 25A	60.5	1.65	34.0	1.65	170.0	170.0	46.0	75.4	80.4	36.0
32A x 20A	42.7	1.65	27.2	1.65	50A x 32A	60.5	1.65	42.7	1.65	170.0	170.0	46.0	65.4	80.4	46.0
32A x 25A	42.7	1.65	34.0	1.65	50A x 40A	60.5	1.65	48.6	1.65	170.0	170.0	46.0	65.4	80.4	46.0

* Size is based on o.d. of inner pipe.

CONFIGURATION
7P

Coaxial Male Purge Tee

Valex Standard, ASTM Outer Tube Jacket



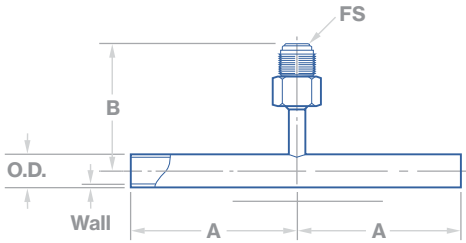
Compatible with Product Lines

401 (EP)	201 (BA-S)	222 (BA-S)
●	●	●
●	●	●
●	●	●
●	●	●
●	●	●
●	●	●
●	●	●

Dimensions in Inches

Compatible Inner Tube	Outer Tube			A	B	Face-Seal Size
	Size	O.D.	Wall			
1/4"	1/2"	.500	.049	2.875	1.90	1/4"
3/8"	5/8"	.625	.049	3.000	1.96	1/4"
1/2"	3/4"	.750	.065	3.000	2.01	1/4"
3/4"	1"	1.000	.065	4.625	2.14	1/4"
1"	1-1/4"	1.250	.065	4.750	2.26	1/4"
1-1/2"	2"	2.000	.065	5.625	2.64	1/4"
2"	2-1/2"	2.500	.065	5.750	2.89	1/4"

Note:
1. Purge tees are offered in grade TP 316L for all product lines.



Coaxial Male Purge Tee

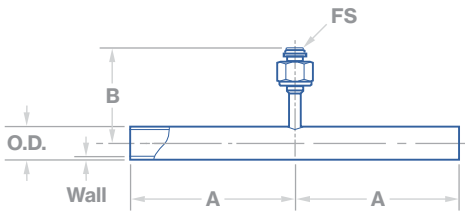
Valex Standard, JIS Outer Pipe Jacket



Compatible with Product Lines	
401 (EP)	201 (BA-S)
●	●
●	●

Dimensions in Millimeters						
Compatible Inner Pipe	Size	Outer Pipe		A	B	Face-Seal Size
		O.D.	Wall			
10A	20A	27.2	1.65	55	52.5	1/4"
15A	25A	34.0	1.65	59	56.5	1/4"

Note:
1. Purge tees are offered in grade TP 316L for all product lines.



Coaxial Female Purge Tee

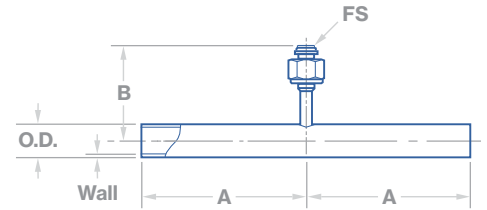
Valex Standard, ASTM Outer Tube Jacket



Compatible with Product Lines		
401 (EP)	201 (BA-S)	222 (BA-S)
●	●	●
●	●	●
●	●	●
●	●	●
●	●	●
●	●	●
●	●	●

Dimensions in Inches						
Compatible Inner Tube	Size	Outer Tube		A	B	Face-Seal Size
		O.D.	Wall			
1/4"	1/2"	.500	.049	2.875	1.90	1/4"
3/8"	5/8"	.625	.049	3.000	1.96	1/4"
1/2"	3/4"	.750	.065	3.000	2.01	1/4"
3/4"	1"	1.000	.065	4.625	2.14	1/4"
1"	1-1/4"	1.250	.065	4.750	2.26	1/4"
1-1/2"	2"	2.000	.065	5.625	2.64	1/4"
2"	2-1/2"	2.500	.065	5.750	2.89	1/4"

Note:
1. Purge tees are offered in grade TP 316L for all product lines.



CONFIGURATION
7PF

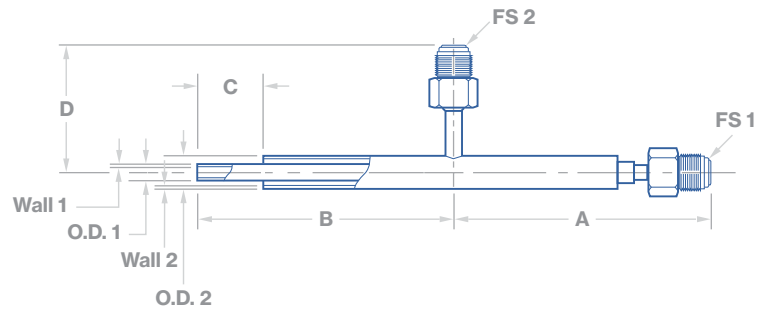
Coaxial Female Purge Tee

Valex Standard, JIS Outer Pipe Jacket

Compatible with Product Lines	
401 (EP)	201 (BA-S)
●	●
●	●

Dimensions in Inches							
Compatible Inner Pipe	Size	Outer Pipe		A	B	Face-Seal Size	
		O.D.	Wall				
10A	20A	27.2	1.65	55	42.5	1/4"	
15A	25A	34.0	1.65	59	46.5	1/4"	

Note:
1. Purge tees are offered in grade TP 316L for all product lines.



CONFIGURATION
7PFS

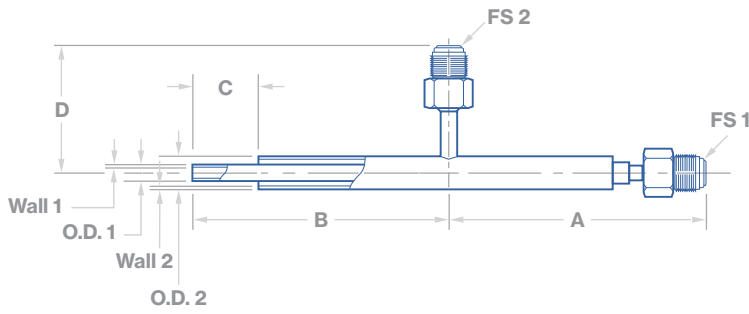
Coaxial Purge Tee With Male Face-Seal Gland

Valex Standard, ASTM Tube

Product Lines	
401 (EP)	201 (BA-S)
●	●
●	●
●	●
●	●

Dimensions in Inches												
Size* Inner Tube	Inner Tube		Size* Outer Tube	Outer Tube		A	B	C	D	Face-Seal Size		
	O.D. 1	Wall 1		O.D. 2	Wall 2					FS 1	FS 2	
1/4"	.250	.035	1/2"	.500	.049	3.875	3.875	1.00	1.90	1/4"	1/4"	
3/8"	.375	.035	5/8"	.625	.049	4.000	4.000	1.00	1.96	3/8"	1/4"	
1/2"	.500	.049	3/4"	.750	.065	4.000	4.000	1.00	2.01	1/2"	1/4"	
3/4"	.750	.065	1"	1.000	.065	6.000	6.000	1.00	2.18	3/4"	1/4"	

* Size is based on o.d. of inner tube.



Coaxial Purge Tee With Male Face-Seal Gland

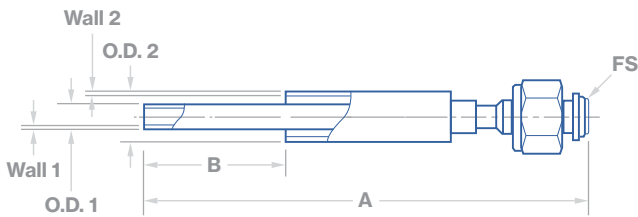
Valex Standard, JIS Pipe

CONFIGURATION
7PFS

Product Lines	
401 (EP)	201 (BA-S)
●	●
●	●

Dimensions in Inches												
Size* Inner Pipe	Inner Pipe		Size* Outer Pipe	Outer Pipe		A	B	C	D	Face-Seal Size		
	O.D. 1	Wall 1		O.D. 2	Wall 2					FS 1	FS 2	
10A	17.3	1.20	20A	27.2	1.65	100.0	95.0	40.0	52.5	1/4"	1/4"	
15A	21.7	1.65	25A	34.0	1.65	104.0	99.0	40.0	56.5	1/4"	1/4"	

* Size is based on o.d. of inner tube.



Coaxial Female Face-Seal Weld Gland

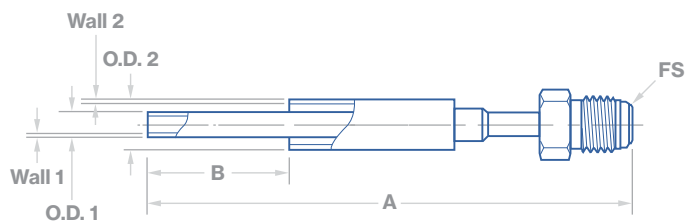
Valex Standard, ASTM Tube

CONFIGURATION
14FS

Product Lines	
401 (EP)	201 (BA-S)
●	●
●	●
●	●
●	●
●	●

Dimensions in Inches									
Size* Inner Tube	Inner Tube		Size Outer Tube	Outer Tube		A	B	Face-Seal Size	
	O.D. 1	Wall 1		O.D. 2	Wall 2			FS	
1/4"	.250	.035	1/2"	.500	.049	3.50	.850 - 1.060	1/4"	
3/8"	.375	.035	5/8"	.625	.049	3.50	.850 - 1.060	3/8"	
1/2"	.500	.049	3/4"	.750	.065	3.50	.850 - 1.060	1/2"	
3/4"	.750	.065	1"	1.000	.065	7.50	1.845 - 1.970	3/4"	
1"	1.000	.065	1-1/4"	1.250	.065	7.75	1.805 - 1.930	1"	

* Size is based on o.d. of inner tube.



CONFIGURATION
15FS

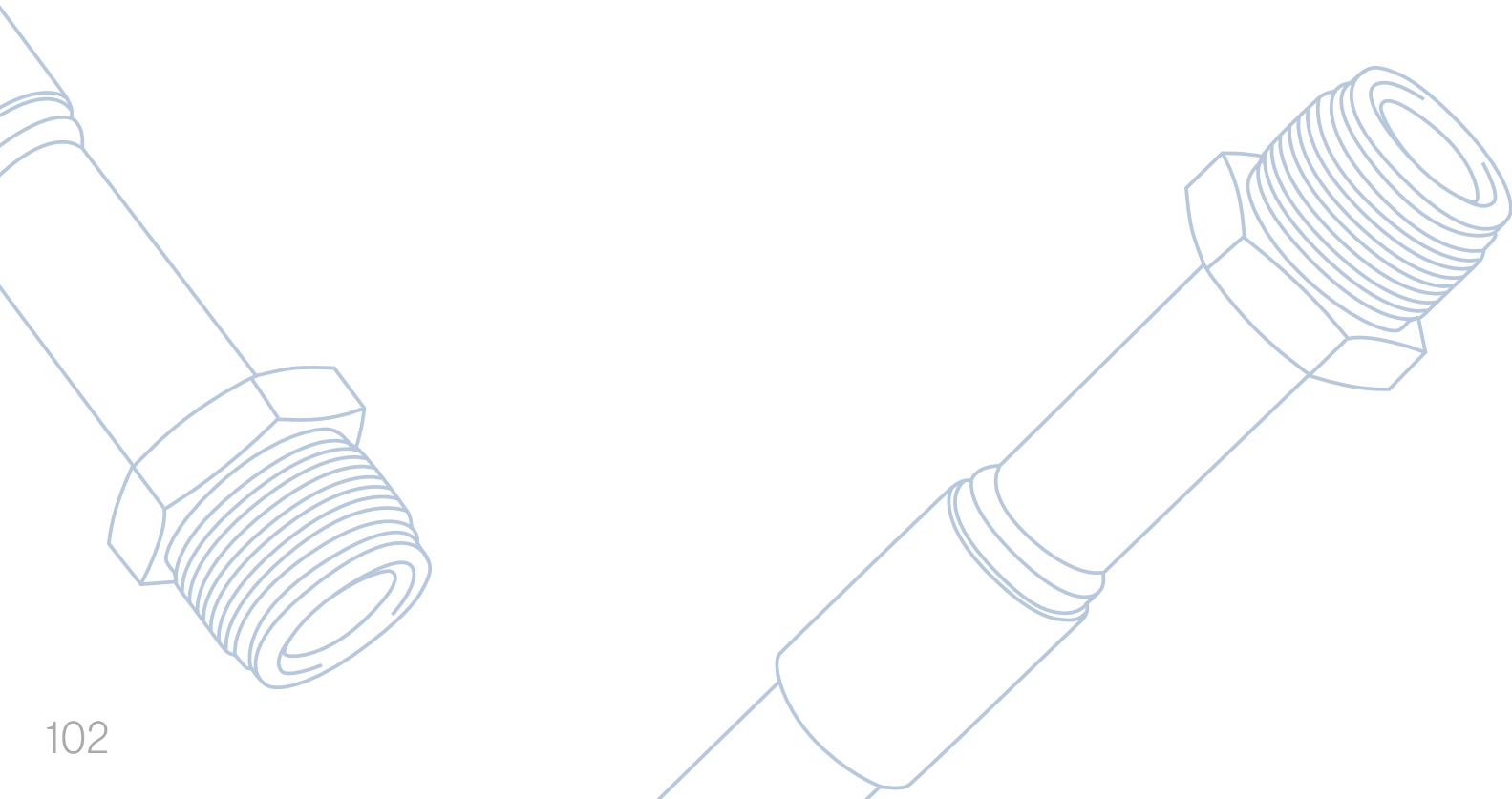
Coaxial Male Face-Seal Weld Gland

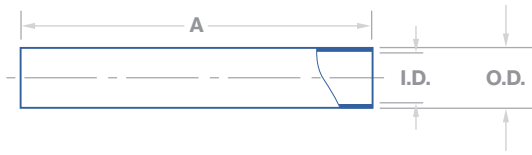
Valex Standard, ASTM Tube

Product Lines	
401 (EP)	201 (BA-S)
•	•
•	•
•	•
•	•
•	•

Dimensions in Inches									
Size* Inner Tube	Inner Tube		Size Outer Tube	Outer Tube		A	B	Face-Seal Size	
	O.D. 1	Wall 1		O.D. 2	Wall 2			FS	
1/4"	.250	.035	1/2"	.500	.049	3.50	.850 - 1.060	1/4"	
3/8"	.375	.035	5/8"	.625	.049	3.50	.850 - 1.060	3/8"	
1/2"	.500	.049	3/4"	.750	.065	3.50	.850 - 1.060	1/2"	
3/4"	.750	.065	1"	1.000	.065	7.50	1.845 - 1.970	3/4"	
1"	1.000	.065	1-1/4"	1.250	.065	7.75	1.805 - 1.930	1"	

* Size is based on o.d. of inner tube.





Coaxial Sleeve

Valex Standard, ASTM Tube

CONFIGURATION
12

Compatible with Product Lines

401 (EP)	201 (BA-S)	222 (BA-S)
●	●	●
●	●	●
●	●	●
●	●	●
●	●	●
●	●	●
●	●	●
●	●	●

Dimensions in Inches

Compatible Inner Tube	Outer Tube			A (Standard Length)	A (Additional Lengths)
	Size	O.D.	I.D.		
1/4"	5/8"	.625	.507	2.50	4.00 / 5.00 / 6.00
3/8"	3/4"	.750	.632	2.50	4.00 / 5.00 / 6.00
1/2"	7/8"	.875	.758	2.50	4.00 / 5.00 / 6.00
3/4"	1-1/4"	1.125	1.008	4.00	4.00 / 5.00 / 6.00
1"	1-3/8"	1.375	1.258	4.00	N/A
1-1/2"	2-1/4"	2.125	2.023	4.50	N/A
2"	2-5/8"	2.625	2.523	4.50	N/A

Note:
1. Sleeves are offered in grade TP 316L for all product lines.



Coaxial Sleeve

Valex Standard, JIS Pipe

CONFIGURATION
12

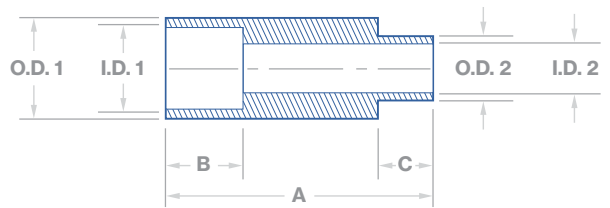
Compatible with Product Lines

401 (EP)	201 (BA-S)
●	●
●	●
●	●
●	●
●	●
●	●
●	●
●	●
●	●

Dimensions in Millimeters

Compatible Inner Pipe	Outer Pipe		A
	O.D.	I.D.	
10A	31.0	27.7	100
15A	37.8	34.5	100
20A	46.6	43.3	112
25A	52.6	49.3	112
32A	52.6	49.3	112
40A	65.3	61.3	112
50A	81.4	77.2	112
65A	94.4	90.2	112
80A	119.8	115.6	132

Note:
1. Sleeves are offered in grade TP 316L for all product lines.



CONFIGURATION
16

Coaxial Terminator

Valex Standard, ASTM Tube

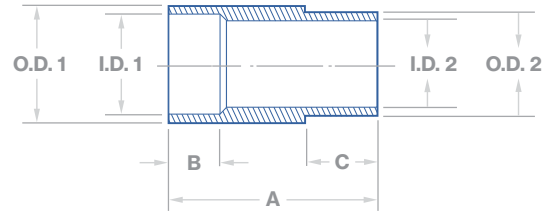
Compatible with Product Lines

401 (EP)	201 (BA-S)	222 (BA-S)
●	●	●
●	●	●
●	●	●
●	●	●
●	●	●
●	●	●
●	●	●

Dimensions in Inches

Size*	O.D. 1	I.D. 1	O.D. 2	I.D. 2	A	B	C
1/4"	.500	.402	.325	.255	1.25	.37	.25
3/8"	.625	.527	.450	.380	1.25	.37	.25
1/2"	.750	.620	.603	.506	1.25	.37	.25
3/4"	1.000	.870	.885	.756	2.00	.50	.25
1"	1.250	1.120	1.135	1.006	2.00	.50	.25
1-1/2"	2.000	1.870	1.635	1.511	2.25	.75	.25
2"	2.500	2.360	2.135	2.011	2.25	.75	.25

* Terminator size indicates the size of coax tubing the terminator is compatible with.



CONFIGURATION
16

Coaxial Terminator

Valex Standard, JIS Pipe

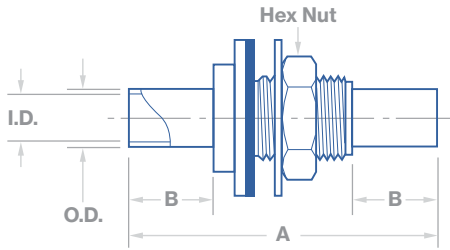
Compatible with Product Lines

401 (EP)	201 (BA-S)
●	●
●	●
●	●
●	●
●	●
●	●
●	●
●	●
●	●

Dimensions in Millimeters

Size*	O.D. 1	I.D. 1	O.D. 2	I.D. 2	A	B	C
10A	27.2	23.9	20.73	17.60	46.35	12.70	6.35
15A	34.0	30.7	25.13	22.00	46.35	12.70	6.35
20A	42.7	39.4	30.63	27.50	46.35	12.70	6.35
25A	42.7	39.4	37.47	34.34	46.35	12.70	6.35
25A	48.6	45.3	37.47	34.34	46.35	12.70	6.35
32A	60.5	57.2	46.26	43.13	52.35	19.05	6.35
40A	60.5	57.2	52.22	49.09	52.35	19.05	6.35
50A	76.3	72.1	64.24	61.11	52.35	19.05	6.35
65A	89.1	84.9	81.19	77.06	57.5	25.40	6.35
80A	114.3	110.1	94.12	89.99	57.5	25.40	6.35

* Terminator size indicates the size of coax piping the terminator is compatible with.



Coaxial Bulkhead Fitting

Valex Standard, ASTM Tube

CONFIGURATION
17BH

Compatible with Product Lines

401 (EP)	201 (BA-S)	222 (BA-S)
●	●	●
●	●	●
●	●	●
●	●	
●	●	

Dimensions in Inches

Size*	O.D.	I.D.	A	B	Hex Nut
1/4"	.500	.402	3.625	1.00	3/4-16UNF
3/8"	.625	.527	3.625	1.00	7/8-14UNF
1/2"	.750	.620	3.625	1.00	1-1/16-12UNF
3/4"	1.000	.870	5.125	1.75	1-5/16-12UNF
1"	1.250	1.120	5.125	1.75	1-5/8-12UNF

* Bulkhead fitting size indicates the size of coax tubing the bulkhead fitting is compatible with.
Note: Bulkhead fittings are offered in grade TP 316L for all product lines.

Ordering Info.

Tube & Pipe

- ASTM Tube Sizes
- JIS Pipe Sizes
- ASTM Tube, ASTM Pipe & JIS Pipe Sizes

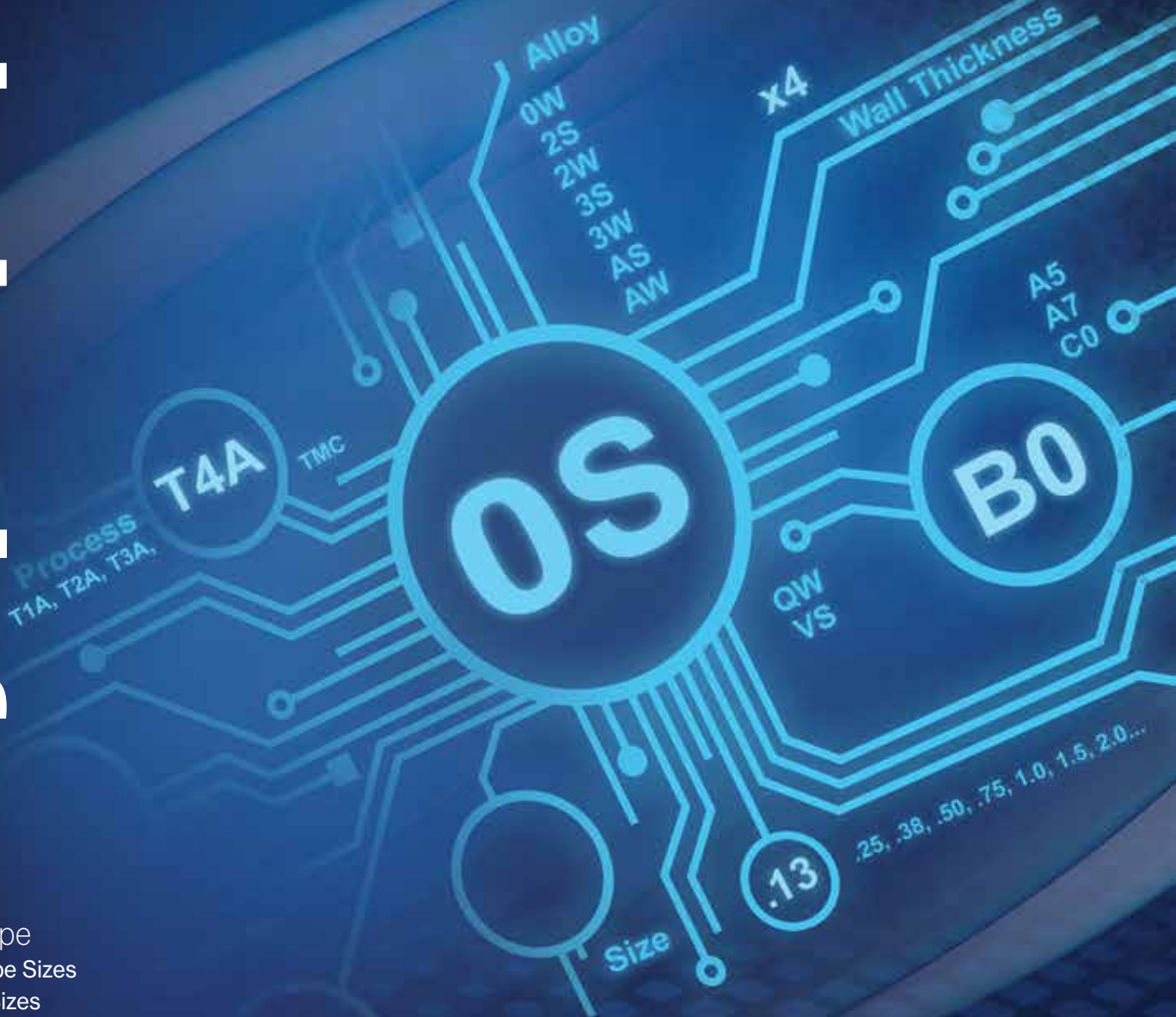
Fittings

- ASTM Tube Sizes
- JIS Pipe Sizes
- ASTM Tube, ASTM Pipe & JIS Pipe Sizes

Coaxial Tube, Pipe & Fittings

- ASTM Tube Sizes
- JIS Pipe Sizes

To place an order, please submit your order request to inquire@valex.com.
To find your nearest distributor go to Valex.com



Tube

Product Lines: 401, 301, 201, 101, 444 & 222

ASTM Tube Sizes

Example 1:

T 4 A - Q S - . 1 3 x4 - 0 2 8 B 0

Use Only for 4-meter Length Tube

Example 2:

T 2 A - 0 S - 0 0 5 0 0 - 0 4 9

T 4 A

Process

- T1A = SP-9204 (Product Line 101)
- T2A = SP 9206 (Product Line 201)
- T3A = SP-9223 (Product Line 301)
- T4A = SP-9220 (Product Line 401)
- TMC = SP-9207 (Product Line 222)²
- TNE = SP-9241 (Product line 444)

Q S

Alloy¹

- 0S = 316L Seamless
- 0W = 316L Welded
- 1S = 304L Seamless
- 1W = 304L Welded
- 2S = 304L Seamless
- 2W = 304L Welded
- 3S = 304L Seamless
- 3W = 304L Welded
- AS = 304 Seamless
- AW = 304 Welded
- HS = V22[®] Alloy (UNS N06022)²
- KS = 316L Seamless VIM/VAR
- NS = 316L Seamless (ASTM Standard)
- NW = 316L Welded (ASTM Standard)
- RS = 316L Seamless
- RW = 316L Welded
- QS = 316L Seamless
- QW = 316L Welded
- VS = 316L Seamless VIM/VAR

. 1 3

Size

Use for: 20-foot or 6-meter Length Tube	Used only for 4-meter Length Tube
---	--------------------------------------

- | | |
|-------|----------------------|
| 00125 | .13 = .125" Diameter |
| 00250 | .25 = .25" Diameter |
| 00375 | .38 = .375" Diameter |
| 00500 | .50 = .5" Diameter |
| 00750 | .75 = .75" Diameter |
| 01000 | 1.0 = 1" Diameter |
| 01500 | 1.5 = 1.5" Diameter |
| 02000 | 2.0 = 2" Diameter |
| 02500 | 2.5 = 2.5" Diameter |
| 03000 | 3.0 = 3" Diameter |
| 04000 | 4.0 = 4" Diameter |
| 06000 | 6.0 = 6" Diameter |

x4

**Used Only
for 4-meter Length Tube**

0 2 8

Wall Thickness

- 028 = .028" Thick
- 035 = .035" Thick
- 039 = .039" Thick
- 049 = .049" Thick
- 065 = .065" Thick
- 083 = .083" Thick
- 109 = .109" Thick

B 0

Surface Finish

Used only for 401 product line

- A5 = 5 μin Ra Max
- A7 = 7 μin Ra Max
- B0 = 10 μin Ra Max
- C0 = 10 μin Ra

Used only for 444 product line

- A = 5 μin Ra Max
- B = 10 μin Ra Max

Notes:

1. See Valex SP-9200 sheet 9 for breakdown of alloy chemistries and melt type.

2. Material: Haynes Hastelloy[®] C-22[®] is available upon request. Hastelloy and C-22 are registered trademarks of Haynes International Inc.

Tube

Product Lines: 444

ASTM Tube Sizes

Example:

H E 1 - . 2 5 x 1 8 - 5 R A

H | E | 1

Process

HE1 = SP-9241 (V22® Alloy, UNS N06022)²

. | 2 | 5

Size

- .25 = 1/4" O.D. X .035" Wall
- .38 = 3/8" O.D. X .035" Wall
- .50 = 1/2" O.D. X .049" Wall
- .75 = 3/4" O.D. X .065" Wall

1 | 8

Segment Length

XX = Segment Length in Inches

5 | R | A

Surface Finish

- 5Ra = 5 µin Ra
- 10Ra = 10 µin Ra

Notes:

1. See Valex SP-9200 sheet 9 for breakdown of alloy chemistries and melt type.
2. Material: Haynes Hastelloy® C-22® is available upon request. Hastelloy and C-22 are registered trademarks of Haynes International Inc.

Pipe

Product Lines: 401, 201 & 101

JIS Pipe Sizes

Example 1: **P 4 A - R S - 0 5 0 A x4 - 0 5 S B 0**
Use Only for 4-meter Length Pipe

Example 2: **P 2 A - R S - 0 1 5 0 A - 1 0 S**

P | 4 | A

Process

- P1A = SP-9204 (Product Line 101)
- P2A = SP 9206 (Product Line 201)
- P4A = SP-9220 (Product Line 401)

R | S

Alloy¹

- 1S = 304L Seamless (JIS Standard)
- 1W = 304L Welded (JIS Standard)
- AS = 304 Seamless
- AW = 304 Welded
- BS = 316L Seamless VOD/VAR
- NS = 316L Seamless (JIS Standard)
- NW = 316L Welded (JIS Standard)
- RS = 316L Seamless
- RW = 316L Welded

0 | 5 | 0

Size

Use for:

20-foot or 6-meter Length Pipe	4-meter Length Pipe	
0008	008	= 8A Pipe
0010	010	= 10A Pipe
0015	015	= 15A Pipe
0020	020	= 20A Pipe
0025	025	= 25A Pipe
0032	032	= 32A Pipe
0040	040	= 40A Pipe
0050	050	= 50A Pipe
0065	065	= 65A Pipe
0080	080	= 80A Pipe
0090	090	= 90A Pipe
0100	100	= 100A Pipe
0125	125	= 125A Pipe
0150	150	= 150A Pipe
0200	200	= 200A Pipe
0250	250	= 250A Pipe
0300	300	= 300A Pipe
0350	350	= 350A Pipe
0400	400	= 400A Pipe
0450	450	= 450A Pipe
0500	500	= 500A Pipe
0550	550	= 550A Pipe
0600	600	= 600A Pipe
0650	650	= 650A Pipe
0700	700	= 700A Pipe
0750	750	= 750A Pipe
0800	800	= 800A Pipe

A

End Type

- A = Square
- B = 32.5° Beveled
- C = Square, +10% / -15% Wall
- D = 32.5° Beveled, +10% / -15% Wall
- J = Square, -20% Wall
- K = 32.5° Beveled, -20% Wall

x 4

Used Only for 4-meter Length Pipe

0 | 5 | S

Schedule

6m Pipe:

- 05S = JIS Schedule 5
- 10S = JIS Schedule 10

4m Pipe:

- 05 = JIS Schedule 5
- 10 = JIS Schedule 10

B | 0

Surface Finish

Used only for 401 product line

- A5 = 5µin Ra Max
- A7 = 7µin Ra Max
- B0 = 10µin Ra Max
- C0 = 10µin Ra

Notes:

1. See Valex SP-9200 sheet 9 for breakdown of alloy chemistries and melt type.

Tube & Pipe

Product Lines: CFOS & LDEP

ASTM Tube, ASTM Pipe & JIS Pipe Sizes

Example :

D **W** - **1** **5** **0** **L** x **1** **0** **S** - **B** **A** **4** **0**

D | W

Process / Alloy

CS = 316L Seamless
 CW = 316L Welded
 DS = 304L Seamless
 DW = 304L Welded
 AS = 304 Seamless
 AW = 304 Welded

1 | 5 | 0

Size

ASTM Tube:

1/4 = .25" O.D.
 3/8 = .375" O.D.
 1/2 = .5" O.D.
 3/4 = .75" O.D.
 1 = 1" O.D.
 1-1/2 = 1.5" O.D.
 2 = 2" O.D.
 2-1/2 = 2.5" O.D.
 3 = 3" O.D.
 4 = 4" O.D.
 6 = 6" O.D.

JIS & NPS Pipe:

25 = DN 25 (JIS 25A)
 32 = DN 32 (JIS 32A)
 40 = DN 40 (JIS 40A)
 50 = DN 50 (NPS 2 / JIS 50A)
 65 = DN 65 (NPS 2-1/2 / JIS 65A)
 80 = DN 80 (NPS 3 / JIS 80A)
 90 = DN 90 (NPS 3-1/2 / JIS 90A)
 100 = DN 100 (NPS 4 / JIS 100A)
 125 = DN 125 (NPS 5 / JIS 125A)
 150 = DN 150 (NPS 6 / JIS 150A)
 200 = DN 200 (NPS 8 / JIS 200A)
 250 = DN 250 (NPS 10 / JIS 250A)

300 = DN 300 (NPS 12 / JIS 300A)
 350 = DN 350 (NPS 14 / JIS 350A)
 400 = DN 400 (NPS 16 / JIS 400A)
 450 = DN 450 (NPS 18 / JIS 450A)
 500 = DN 500 (NPS 20 / JIS 500A)
 550 = DN 550 (NPS 22 / JIS 550A)
 600 = DN 600 (NPS 24 / JIS 600A)
 650 = DN 650 (JIS 650A)
 700 = DN 700 (JIS 700A)
 750 = DN 750 (NPS 30 / JIS 750A)
 800 = DN 800 (JIS 800A)

L

End Type

ASTM Tube:

Blank = Square

JIS Pipe:

A = Square
 B = Beveled
 J = Square, -20% Wall
 K = Beveled, -20% Wall

NPS Pipe:

L = Square
 M = Beveled
 N = Square, -20% Wall
 P = Beveled, -20% Wall

1 | 0 | S

Wall Thickness

Tube Wall:

.035 = .035"
 .039 = .039"
 .049 = .049"
 .065 = .065"
 .083 = .083"
 .109 = .109"

Pipe Wall:

5S = Schedule 5
 10S = Schedule 10
 40S = Schedule 40
 80S = Schedule 80

B | A | 4 | 0

Surface Finish

AP = O.D. = AP, I.D. = AP
 ODMP = O.D. = MP, I.D. = AP
 BA = O.D. = BA, I.D. = BA 200 Ra Max
 BA40 = O.D. = BA, I.D. = 40 Ra BA
 EP = O.D. = BA, I.D. = EP
 20 Ra Ave / 25 Ra Max
 ID40 = O.D. = AP, I.D. = 40 Ra Max
 IDMP = O.D. = AP, I.D. = MP 200 Ra Max

ASTM Tube Example:

CS-1/2x.049-BA
 Vallex CFOS Spec Tube, 316L Seamless, 1/2" O.D. x .049" Wall,
 BA Finish Option, Squared Ends

JIS Pipe Example:

AW-250BX10S-AP
 Vallex CFOS Spec Pipe, 304 Welded, JIS Size 250A
 x Schedule 10, AP Finish Option, Beveled Ends

NPS Pipe Example:

DW-250LX20S-BA40
 Vallex CFOS Spec Pipe, 304L Welded, NPS 10 (DN 250)
 x Schedule 20, BA Finish Option with 40 Ra, Squared Ends

Notes:

1. Per Vallex Specification SP-9234 (CFOS) and SP-9235 (LDEP)
2. Process codes are not available for all size and finish codes. Please contact Vallex for item number availability.

Fittings

Product Lines: 401, 201 & 222

ASTM Tube Sizes

Example: **E** **7 R** - **. 7 5** x (**. 5**) - **B 0**
Used Only for Reducing Fittings

E

Process / Alloy¹

- B = SP-9206 (Product Line 201)
0S/0W/A4 (316L)
- D = SP-9206 (Product Line 201)
2S/2W (304L)
- E = SP-9220 (Product Line 401)
0S/0W/A4 (316L)
- H = SP-9207 (Product Line 222)
HS (V22[®] Alloy, UNS N06022)²
- Q = SP-9220 (Product Line 401)
VS (316L)
- RB = SP-9206 (Product Line 201)
RS/RW (316L)
- RE = SP-9220 (Product Line 401)
RS/RW (316L)

7 R

Configuration

- 2 = 90° Elbow
- 2W = 90° Elbow, WLD
- 2K = 45° Elbow
- 2KW = 45° Elbow, WLD
- 7 = Equal Tee
- 7W = Equal Tee, WLD
- 7R = Reducing Tee
- 7RW = Reducing Tee, WLD
- 7RWW = Reducing Tee, WLD x WLD
- 9 = Cross
- 16 = End Cap
- 16W = End Cap, WLD
- 31 = Conc. Reducer
- 31(S) = Conc. Reducer, Short Type
- 31W = Conc. Reducer, WLD x SMLS
- 31WW = Conc. Reducer, WLD x WLD
- 38 = Weld Neck Flange w/ SMLS Tube
- 38W = Weld Neck Flange w/ WLD Tube
- 38SE = Tube Stub End, Short
- 38LE = Tube Stub End, Long
- 38PF = Tube Plate Flange

. 7 5

Size

- .25 = 1/4" O.D. x .035" Wall
- .25M = 1/4" O.D. x .039" (1mm) Wall
- .375 = 3/8" O.D. x .035" Wall
- .375M = 3/8" O.D. x .039" (1mm) Wall
- .5 = 1/2" O.D. x .049" Wall
- .75 = 3/4" O.D. x .065" Wall
- .75M = 3/4" O.D. x .049" Wall
- 1 = 1" O.D. x .065" Wall
- 1.5 = 1-1/2" O.D. x .065" Wall
- 2 = 2" O.D. x .065" Wall
- 2.5 = 2-1/2" O.D. x .065" Wall
- 3 = 3" O.D. x .065" Wall
- 4 = 4" O.D. x .083" Wall
- 6 = 6" O.D. x .109" Wall

(**. 5**)

Used Only for Reducing Fittings

Please refer to "size" code if applicable.

B 0

Surface Finish

Used only for 401 product line

- A5 = 5 µin Ra Max
- A7 = 7 µin Ra Max
- B0 = 10 µin Ra Max
- C0 = 10 µin Ra

Single Wall Fitting Example 1:
E2-5-B0

Valex 401 Spec, 90° Elbow, 1/2" O.D. x .049" Wall,
10 Ra Max, 0S Chemistry, Standard Visuals

Single Wall Fitting Example 2:
Q7R-1x.5-A5

Valex 401 Spec, Reducing Tee, 1" (.065" Wall) x 1/2" (.049" Wall),
5 Ra Max, VS Chemistry, Superior Visuals

Notes:

1. See Vallex SP-9200 sheet 9 for breakdown of alloy chemistries and melt type.
2. Material: Haynes Hastelloy[®] C-22[®] is available upon request. Hastelloy and C-22 are registered trademarks of Haynes International Inc.

Fittings

Product Lines: 401, 201 & 101

JIS Pipe Sizes

Example:

J E **7 R W** - **8 0** **A T** x (**4 0 A T**) - **B 0**

Used Only for Reducing Fittings

J | E

Process / Alloy¹

JA = SP-9204 (Product Line 101)	AS/AW (304)
JB = SP-9206 (Product Line 201)	RS/RW (316L)
JD = SP-9206 (Product Line 201)	AS/AW (304)
JE = SP-9220 (Product Line 401)	RS/RW (316L)
JF = SP-9206 (Product Line 201)	NS/NW (316L)
JG = SP-9206 (Product Line 201)	QS/QW (316L)
JH = SP-9220 (Product Line 401)	NS/NW (316L)
JJ = SP-9220 (Product Line 401)	QS/QW (316L)

7 | R | W

Configuration

2S = 90° Elbow, Short Radius
2L = 90° Elbow, Long Radius
2WS = 90° Elbow, Short Radius, WLD
2WL = 90° Elbow, Long Radius, WLD
2K = 45° Elbow
2KW = 45° Elbow, WLD
2SS = 90° Elbow, Short, JIS B2312
2LS = 90° Elbow, Long, JIS B2312
2WSS = 90° Elbow, Short, JIS B2313, WLD
2WLS = 90° Elbow, Long, JIS B2313, WLD
2KLS = 45° Elbow, Long, JIS B2312
2KWLS = 45° Elbow, Long, JIS B2313, WLD
7 = Equal Tee
7W = Equal Tee, WLD
7R = Reducing Tee
7RW = Reducing Tee, WLD
7RWW = Reducing Tee, WLD x WLD
7RN = Reducing Tee, No Riser
7S = Equal Tee, JIS B2312 / B2313
7RS = Reducing Tee, JIS B2312 / B2313
7RSN = Reducing Tee, JIS B2312 / B2313, No Riser
16 = End Cap
16W = End Cap, WLD
31 = Conc. Reducer
31W = Conc. Reducer, WLD x SMLS
31WW = Conc. Reducer, WLD x WLD
31FF = Conc. Reducer, Formed, No Tangent
31FS = Conc. Reducer, No Tangent Large, Small Tangent SMLS
31SF = Conc. Reducer, Large Tangent SMLS, No Tangent Small

31FW = Conc. Reducer, No Tangent Large, Small Tangent WLD
31WF = Conc. Reducer, Large Tangent WLD, No Tangent Small
33 = Conc. Reducer, Cap Type
33FF = Cap Reducer, Formed, No Tangent
33FS = Cap Reducer, No Tangent Large, Small Tangent SMLS
33SF = Cap Reducer Large Tangent SMLS, No Tangent Small
33FW = Cap Reducer, No Tangent Large, Small Tangent WLD
33WF = Cap Reducer, Large Tangent WLD, No Tangent Small
38BF = Blank Flange
38L = Lap Joint Stub End, JIS
38LJ = Lap Joint Flange
38WN = Weld Neck Flange

8 | 0

Size

8 = 8A Pipe
10 = 10A Pipe
15 = 15A Pipe
20 = 20A Pipe
25 = 25A Pipe
32 = 32A Pipe
40 = 40A Pipe
50 = 50A Pipe
65 = 65A Pipe
80 = 80A Pipe
90 = 90A Pipe
100 = 100A Pipe
125 = 125A Pipe
150 = 150A Pipe
200 = 200A Pipe
250 = 250A Pipe
300 = 300A Pipe
350 = 350A Pipe
400 = 400A Pipe
450 = 450A Pipe
500 = 500A Pipe
550 = 550A Pipe
600 = 600A Pipe

A

End Type

A = Square
B = 32.5° Beveled
C = Square, +10% / -15% Wall
D = 32.5° Beveled, +10% / -15% Wall
J = Square, -20% Wall
K = 32.5° Beveled, -20% Wall

Flange Type

S = JIS 5K
T = JIS 10K

T

Schedule

Blank = 5S
T = 10S

Face-Type (Flange Only)

1 = Full Face
2 = Raised Face
3 = Grooved Face

Flange Type/ Schedule (Lap Joint Stub End Only)

Blank = JIS 5K / 5S
V = JIS 10K / 5S

(4 | 0 | A | T)

Used Only for Reducing Fittings

Please refer to the "size, end type and schedule" codes if applicable.

B | 0

Surface Finish

Used only for 401 product line

A5 = 5 µin Ra Max
A7 = 7 µin Ra Max
B0 = 10 µin Ra Max
C0 = 10 µin Ra

Notes:

1. See Vallex SP-9200 sheet 9 for breakdown of alloy chemistries and melt type.

Fittings

Product Lines: CFOS & LDEP

ASTM Tube, ASME Pipe & JIS Pipe Sizes

Example:

D F **7 R W** - **8 4 P T** (**8 1 P T**) - **1**

Used Only for Reducing Fittings

D | F

Alloy

AF = 304
CF = 316L
DF = 304L

7 | R | W

Configuration

2S = 90° Elbow, Short Radius
2L = 90° Elbow, Long Radius
2WS = 90° Elbow, Short Radius, WLD
2WL = 90° Elbow, Long Radius, WLD
2K = 45° Elbow
2KW = 45° Elbow, WLD
2SS = 90° Elbow, Short, ASME B16.9 / JIS B2312
2LS = 90° Elbow, Long, ASME B16.9 / JIS B2312
2WSS = 90° Elbow, Short, ASME B16.9 / JIS B2312, WLD
2WLS = 90° Elbow, Long, ASME B16.9 / JIS B2312, WLD
2KLS = 45° Elbow, Long, ASME B16.9 / JIS B2312
2KWLS = 45° Elbow, Long, ASME B16.9 / JIS B2312, WLD
7 = Equal Tee
7W = Equal Tee, WLD
7R = Reducing Tee
7RW = Reducing Tee, WLD
7RWW = Reducing Tee, WLD x WLD
7S = Equal Tee, JIS B2312
7RS = Reducing Tee, JIS B2312
9 = Equal Cross
16 = End Cap
16W = End Cap, WLD
31 = Conc. Reducer
31W = Conc. Reducer, WLD x SMLS
31WW = Conc. Reducer, WLD x WLD
33 = Cap Reducer
38BF = Blind / Blank Flange
38L = Lap Joint Stub End, JIS
38LA = Lap Joint Stub End, Long Pattern, Type "A", ASME B16.9

38SA = Lap Joint Stub End, Short Pattern, Type "A", ASME B16.9
38LJ = Lap Joint Flange
38WN = Weld Neck Flange

8 | 4

Size

ASTM Tube:

04 = .25" Diameter	32 = 2" Diameter
06 = .375" Diameter	40 = 2.5" Diameter
08 = .5" Diameter	48 = 3" Diameter
12 = .75" Diameter	64 = 4" Diameter
16 = 1" Diameter	96 = 6" Diameter
24 = 1.5" Diameter	

JIS & NPS Pipe:

70 = DN 15 (NPS 1/2 / JIS 15A)
71 = DN 20 (NPS 3/4 / JIS 20A)
72 = DN 25 (NPS 1 / JIS 25A)
73 = DN 32 (NPS 1-1/4 / JIS 32A)
74 = DN 40 (NPS 1-1/2 / JIS 40A)
75 = DN 50 (NPS 2 / JIS 50A)
76 = DN 65 (NPS 2-1/2 / JIS 65A)
77 = DN 80 (NPS 3 / JIS 80A)
78 = DN 90 (NPS 3-1/2 / JIS 90A)
79 = DN 100 (NPS 4 / JIS 100A)
80 = DN 125 (NPS 5 / JIS 125A)
81 = DN 150 (NPS 6 / JIS 150A)
82 = DN 200 (NPS 8 / JIS 200A)
83 = DN 250 (NPS 10 / JIS 250A)
84 = DN 300 (NPS 12 / JIS 300A)
85 = DN 350 (NPS 14 / JIS 350A)
86 = DN 400 (NPS 16 / JIS 400A)
87 = DN 450 (NPS 18 / JIS 450A)
88 = DN 500 (NPS 20 / JIS 500A)
89 = DN 550 (NPS 22 / JIS 550A)
90 = DN 600 (NPS 24 / JIS 600A)
91 = DN 600 (JIS 650A)
92 = DN 700 (JIS 700A)
93 = DN 750 (JIS 750A)
94 = DN 800 (JIS 800A)

Fitting Example 1:

CF31W-82PT81PT-4

Valex LDEP Spec, Concentric Reducer, NPS 8 (Sch 10) x NPS 6 (Sch 10), 20 Ra, EP, 316L

P

Type Code

ASTM Tube:

Blank = Square

JIS Pipe:

A = Square
B = Beveled
J = Square, -20% Wall
K = Beveled, -20% Wall

NPS Pipe:

L = Square
M = Beveled
N = Square, -20% Wall
P = Beveled, -20% Wall

Flange Type:

Q = Class 150, B16.5
R = Class 300, B16.5
S = JIS B2220, 5K
T = JIS B2220, 10K

T

Wall

ASTM Tube:

B = .035" Wall
C = .039" Wall
D = .049" Wall
F = .065" Wall
G = .083" Wall
J = .109" Wall

JIS & NPS Pipe:

Blank = 5S
T = 10S
V = 40S
W = 80S

Flange Type (Flange Only):

1 = Flat / Full Face
2 = Raised Face
3 = Grooved Face

(8 | 1 | P | T)

Used Only for Reducing Fittings

Please refer to "size, end type and wall" codes if applicable.

1

Surface Finish

Blank = No Finish Requirement

1 = CFOS, O.D. = AP, I.D. = AP
2 = CFOS, O.D. = BA, I.D. = BA
3 = CFOS, O.D. = BA, I.D. = 40 Ra BA
4 = LDEP, O.D. = BA, I.D. = EP 20 Ra Ave / 25 Ra Max
5 = CFOS, O.D. = AP, I.D. = 40 Ra BA
6 = CFOS, O.D. = AP, I.D. = BA
7 = CFOS, O.D. = MP, I.D. = AP

Coaxial Tube

Product Lines: 401, 301, 201, 101 & 222

ASTM Tube Sizes

Example:

C T 4 A - W - V S - . 3 7 5 x4 - A 5

Use Only for 4-meter Length Tube

C | T | 4 | A

Inner Process

- CT1A = SP-9204 (Product Line 101)
- CT2A = SP-9206 (Product Line 201)
- CT3A = SP-9223 (Product Line 301)
- CT4A = SP-9220 (Product Line 401)
- CTMC = SP-9207 (Product Line 222)²

W

Outer Alloy¹

- OS = 316L OS Seamless
- OW = 316L OW Welded
- 1S = 304L Seamless
- 1W = 304L Welded
- 2S = 304L Seamless
- 2W = 304L Welded
- AW = 304 Welded
- NS = 316L Seamless (ASTM Standard)
- NW = 316L Welded (ASTM Standard)
- RS = 316L Seamless
- RW = 316L Welded
- VS = 316L Seamless VIM/VAR

V | S

Inner Alloy¹

- OS = 316L Seamless
- OW = 316L Welded
- 2S = 304L Seamless
- 2W = 304L Welded
- 3S = 304L Seamless
- 3W = 304L Welded
- HS = V22[®] Alloy (UNS N06022)²
- KS = 316L Seamless VIM/VAR
- NS = 316L Seamless (ASTM Standard)
- NW = 316L Welded (ASTM Standard)
- QS = 316L Seamless
- QW = 316L Welded
- RS = 316L Seamless
- RW = 316L Welded
- VS = 316L Seamless VIM/VAR

. | 3 | 7 | 5 (X X X X)

Inner Size

Use for:

20-foot & 6-meter Length Tube	4-meter Length Tube	
.25	.25	= .25" Diameter
.25M	.25M	= .25" Diameter (1mm Wall)
.375	.38	= .375" Diameter
.375M	.38M	= .375" Diameter (1mm Wall)
.5	.5	= .5" Diameter
.75	.75	= .75" Diameter
1	1	= 1" Diameter
1.5	1.5	= 1.5" Diameter
2	2	= 2" Diameter

x4

Used Only for 4-Meter Length Tube

A | 5

Surface Finish

Used only for 401 product line

- A5 = 5 μin Ra Max
- A7 = 7 μin Ra Max
- B0 = 10 μin Ra Max
- C0 = 10 μin Ra

Notes:

1. See Valex SP-9200 sheet 9 for breakdown of alloy chemistries and melt type.
2. Material: Haynes Hastelloy[®] C-22[®] is available upon request. Hastelloy and C-22 are registered trademarks of Haynes International Inc.

Coaxial Pipe

Product Lines: 401, 201 & 101

JIS Pipe Sizes

Example: **C P 4 A - A W - R S - 0 2 0 A x4 - A 5**
Use Only for 4-meter Length Tube

C | P | 4 | A

Inner Process

- CP1A = SP-9204 (Product Line 101)
- CP2A = SP-9206 (Product Line 201)
- CP4A = SP-9220 (Product Line 401)

A | W

Outer Alloy¹

- AS = 304 Seamless
- AW = 304 Welded
- NS = 316L Seamless (JIS Standard)
- NW = 316L Welded (JIS Standard)
- RS = 316L Seamless
- RW = 316L Welded

R | S

Inner Alloy¹

- 1S = 304L Seamless (JIS Standard)
- 1W = 304L Welded (JIS Standard)
- NS = 316L Seamless (JIS Standard)
- NW = 316L Welded (JIS Standard)
- RS = 316L Seamless
- RW = 316L Welded

0 | 2 | 0 (X | X)

Inner Size

Use for:	
20-foot or 6-meter Length Tube	4-meter Length Tube
008	08 = 8A Pipe, Schedule 5
010	10 = 10A Pipe, Schedule 5
015	15 = 15A Pipe, Schedule 5
020	20 = 20A Pipe, Schedule 5
025	25 = 25A Pipe, Schedule 5
032	32 = 32A Pipe, Schedule 5

A

End Type

- A = Square
- B = 32.5° Beveled
- C = Square, +10% / -15% Wall
- D = 32.5° Beveled, +10% / -15% Wall
- J = Square, +Unspecified / -20% Wall
- K = 32.5° Beveled, +Unspecified / -20% Wall

**x4
Used Only
for 4-Meter Length Tube**

A | 5

Surface Finish

- Used only for 401 product line
- A5 = 5 µin Ra Max
 - A7 = 7 µin Ra Max
 - B0 = 10 µin Ra Max
 - C0 = 10 µin Ra

Notes:

1. See Valex SP-9200 sheet 9 for breakdown of alloy chemistries and melt type.

Coaxial Fittings

Product Lines: 401, 201 & 222

ASTM Tube Sizes

Example: C 3 1 - . 5 x (. 2 5) - B 0

Use Only for Reducing Fittings

C

Inner Process / Alloy¹

- C = SP-9220 (Product Line 401)
OS/OW (316L)
- CB = SP-9206 (Product Line 201)
OS/OW (316L)
- HC = SP-9207 (Product Line 222)
HS (V22[®] Alloy, UNS N06022)²
- R = SP-9220 (Product Line 401)
VS (316L)
- RC = SP-9220 (Product Line 401)
RS/RW (316L)
- W = SP-9220 (Product Line 401)
KS (316L)
- WB = SP-9206 (Product Line 201)
KS (316L)



Outer Alloy¹

- Blank = OS/OW (316L)
- 2 = 2S/2W (304L)
- A = AW (304)
- N = NS (316L)
- R = RS/RW (316L)

3 1

Configuration

- 2 = 90° Elbow
- 2K = 45° Elbow
- 7 = Equal Tee
- 7R = Reducing Tee
- 7P = Coax Purge Tee, Male
- 7PF = Coax Purge Tee, Female
- 7PFS = Coax Purge Tee w/ FS, Male
- 12 = Coax Sleeve
- 12E = Coax Sleeve (4=4", 5=5", 6=6")
- 14FS = Coax FS Weld Gland, Female
- 15FS = Coax FS Weld Gland, Male
- 16 = Coax Terminator
- 17BH = Coax Bulkhead Fitting
- 31 = Concentric Reducer

. 5

Size

- .25 = 1/4" O.D. x .035" Wall Inner Tube
1/2" O.D. x .049" Wall Outer Tube
- .25M = 1/4" O.D. x .039" (1mm) Wall Inner Tube
1/2" O.D. x .049" Wall Outer Tube
- .375 = 3/8" O.D. x .035" Wall Inner Tube
5/8" O.D. x .049" Wall Outer Tube
- .375M = 3/8" O.D. x .039" (1mm) Wall Inner Tube
5/8" O.D. x .049" Wall Outer Tube
- .5 = 1/2" O.D. x .049" Wall Inner Tube
3/4" O.D. x .065" Wall Outer Tube
- .75 = 3/4" O.D. x .065" Wall Inner Tube
1" O.D. x .065" Wall Outer Tube
- .75M = 3/4" O.D. x .049" Wall Inner Tube
1" O.D. x .065" Wall Outer Tube
- 1 = 1" O.D. x .065" Wall Inner Tube
1-1/4" O.D. x .065" Wall Outer Tube
- 1.5 = 1-1/2" O.D. x .065" Wall Inner Tube
2" O.D. x .065" Wall Outer Tube
- 2 = 2" O.D. x .065" Wall Inner Tube
2-1/2" O.D. x .065" Wall Outer Tube

(. 2 5)

Used Only

for Reducing Fittings

Please refer to the size code for dimensions, if applicable.

B 0

Surface Finish

Used only for 401 product line

- A5 = 5 µin Ra Max
- A7 = 7 µin Ra Max
- B0 = 10 µin Ra Max
- C0 = 10 µin Ra

Coaxial Fitting Example 1:

C2-25-A5

Valex 401 Spec. Coaxial 90° Elbow, 1/4" (.035" wall) Inner, 1/2" (.049" Wall) Outer, Superior Visuals, 5 Ra Max, OS Inner Chemistry, OS Outer Chemistry.

Notes:

1. See Vallex SP-9200 sheet 9 for breakdown of alloy chemistries and melt type.
2. Material: Haynes Hastelloy[®] C-22[®] is available upon request. Hastelloy and C-22 are registered trademarks of Haynes International Inc.

Coaxial Fittings

Product Lines: 401 & 201

JIS Pipe Sizes

Example: **J C N** **7 R** - **2 5 A** x (**2 0 A**) - **A 5**
Use Only for Reducing Fittings

J | C

Inner Process

- JC = SP-9220 (Product Line 401) RS/RW (316L)
- JK = SP-9206 (Product Line 201) NS/NW (316L)
- JL = SP-9206 (Product Line 201) QS/QW (316L)
- JM = SP-9220 (Product Line 401) NS/NW (316L)
- JN = SP-9220 (Product Line 401) QS/QW (316L)

N

Outer Alloy¹

- 1 = 1S/1W (304L)
- A = AW (304)
- N = NS (316L)
- R = RS/RW (316L)

7 R

Configuration

- 2 = 90° Elbow
- 2K = 45° Elbow
- 7 = Equal Tee
- 7R = Reducing Tee
- 7P = Coax Purge Tee, Male
- 7PF = Coax Purge Tee, Female
- 7PFS = Coax Purge Tee with FS, Male
- 12 = Coax Sleeve
- 14FS = Coax FS weld Gland, Female
- 15FS = Coax FS weld Gland, Male
- 16 = Coax Terminator
- 17BH = Coax Bulkhead Fitting
- 31 = Concentric Reducer

X X X X

Size

- 10 = 10A x Schedule 5 Inner Pipe
20A x Schedule 5 Outer Pipe
- 15 = 15A x Schedule 5 Inner Pipe
25A x Schedule 5 Outer Pipe
- 20 = 20A x Schedule 5 Inner Pipe
32A x Schedule 5 Outer Pipe
- 25 = 25A x Schedule 5 Inner Pipe
40A x Schedule 5 Outer Pipe
- 32 = 32A x Schedule 5 Inner Pipe
40A x Schedule 5 Outer Pipe
- 40A = 40A x Schedule 5 Inner Pipe
50A x Schedule 5 Outer Pipe
- 40B = 40A x Schedule 5 Inner Pipe
65A x Schedule 5 Outer Pipe

A

End Type

- A = Square
- B = 32.5° Beveled
- C = Square, +10% / -15% Wall
- D = 32.5° Beveled, +10% / -15% Wall
- J = Square, +Unspecified / -20% Wall
- K = 32.5° Beveled, +Unspecified / -20% Wall

x (2 0 A)

Used Only

for Reducing Fittings

Please refer to "Size" and "End Type" codes if applicable.

A | 5

Surface Finish

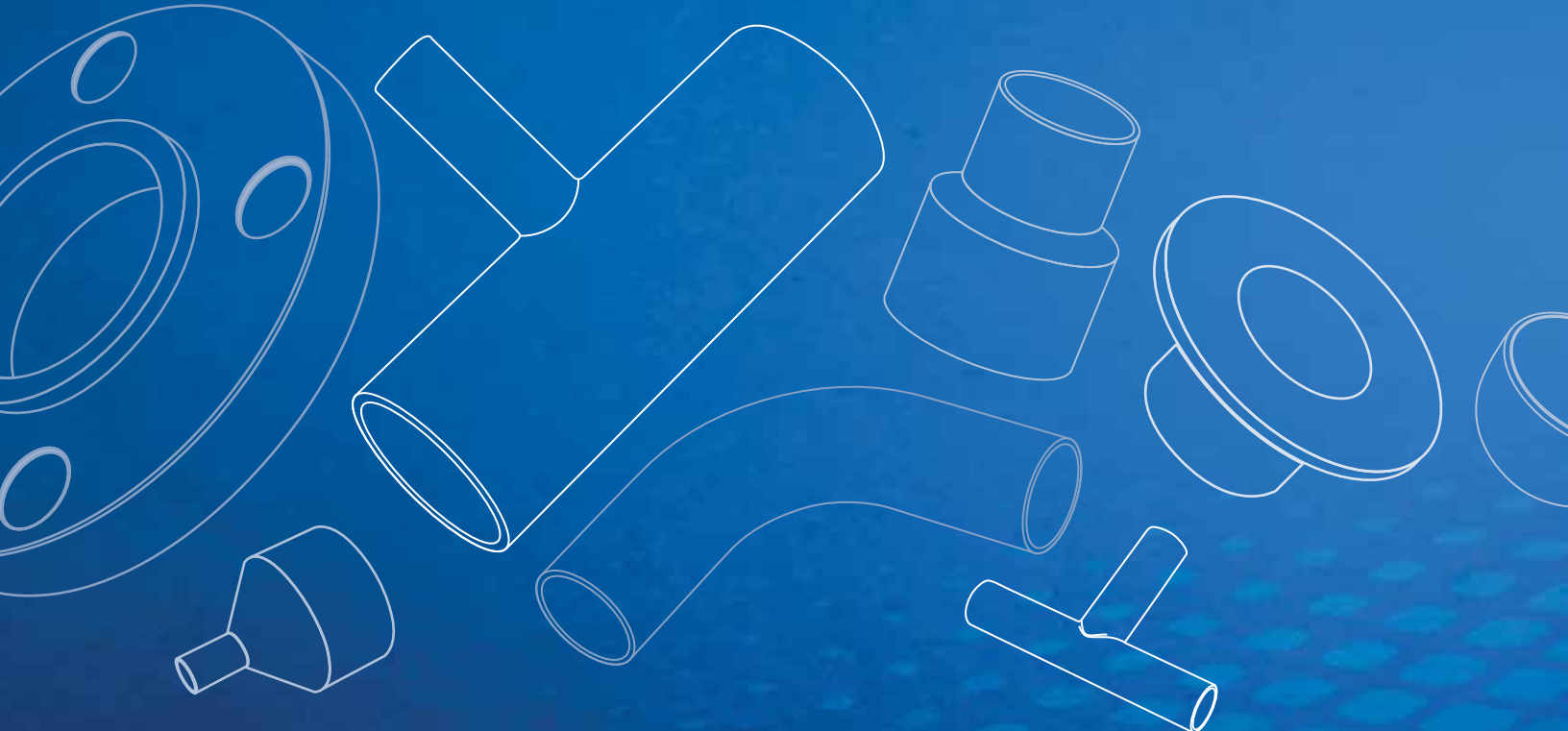
Used only for 401 product line

- A5 = 5 µin Ra Max
- A7 = 7 µin Ra Max
- B0 = 10 µin Ra Max
- C0 = 10 µin Ra

Notes:

1. See Valex SP-9200 sheet 9 for breakdown of alloy chemistries and melt type.

COMPONENTS • MANUFACTURING •
ONE Trusted
SOURCE
TESTING • ASSEMBLY •





Benefit From World Leadership

World class components from Valex don't just end at tube, pipe and fittings. Our product offerings extend to ball valves, instrumentation valves, headers, manifolds, and more. For more information, please visit our website at www.valex.com, or contact your Valex representative for details. Benefit from world leadership, and benefit from Valex.



Valex Corporate Offices & Manufacturing

**Valex USA
Corporate Headquarters**

6080 Leland Street
Ventura, CA 93003
United States of America
Phone: 805-658-0944



**Valex USA
Round Rock, TX**

120 E. Old Settlers Blvd.
Round Rock, TX 78664
United States of America
Phone: 512-212-8100



**Valex USA
Georgetown, TX**

1805 Titan Dr.
Georgetown, Texas 78628
United States of America
Phone: 737-340-4600



Valex Korea

32 Hansan-gil, Cheongbuk-eup
Pyeongtaek-si, Gyeonggi-do
Republic of Korea
Phone: 82-31-683-0119



Valex China

No. 358 Zhonggang Road
Xitangqiao Street
Haiyan Economic Development Zone
Zhejiang Province,
P.R. China 314305
Phone: 86-573-86868221

