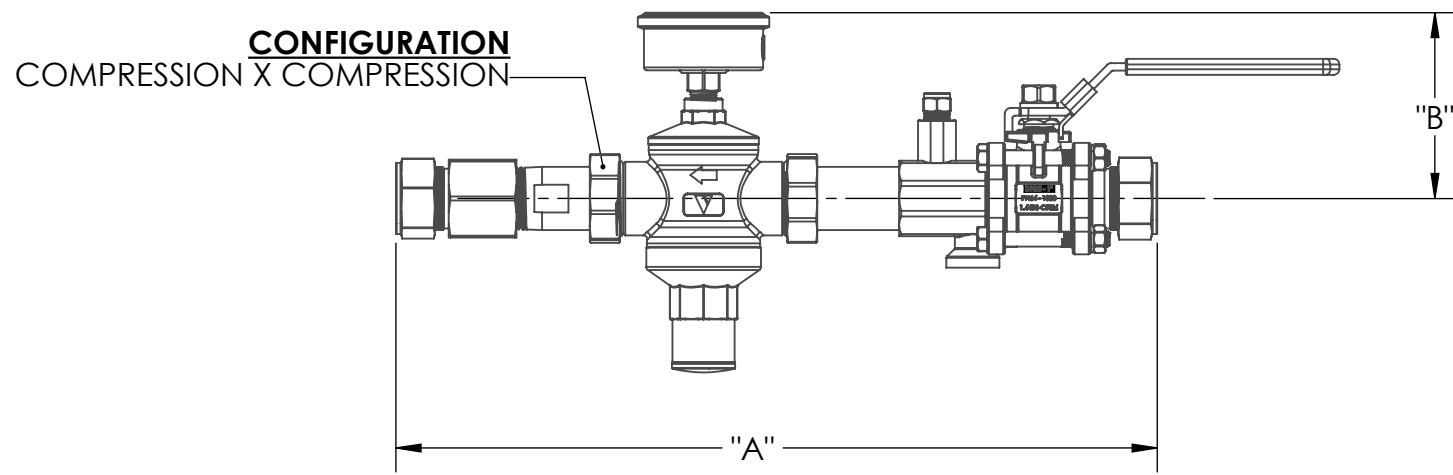
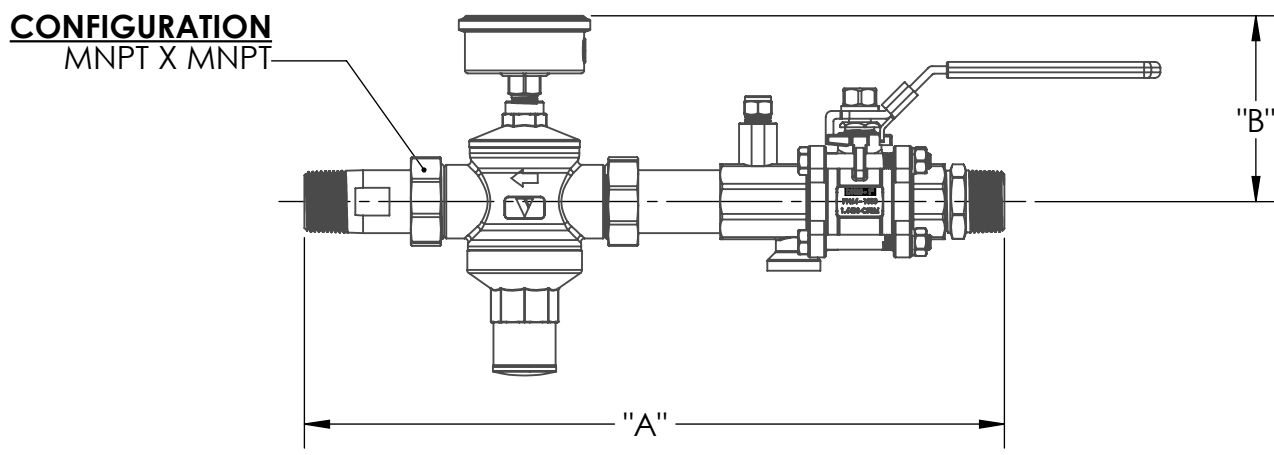
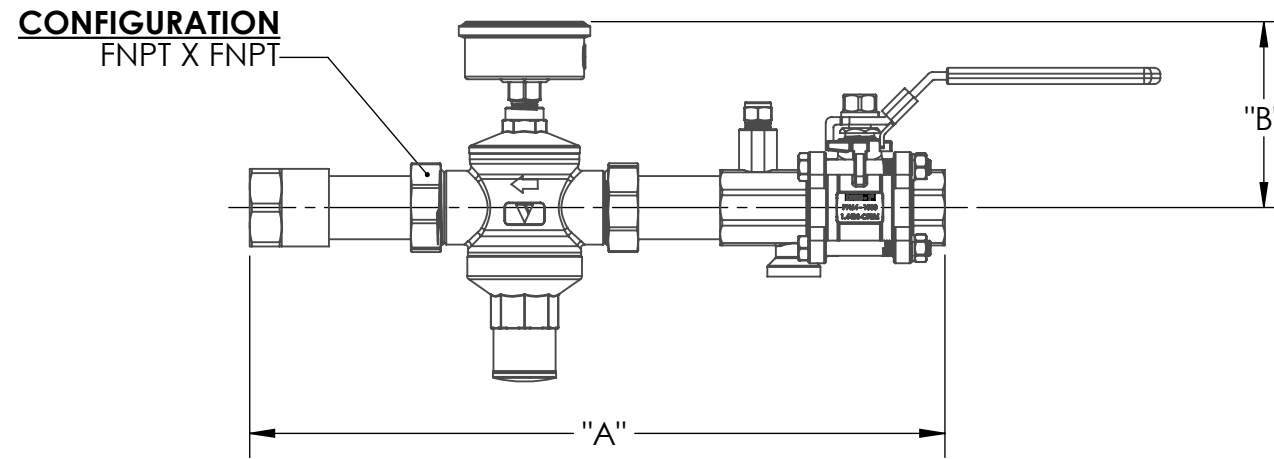


REVISION RECORD			
DATE	REV.	DESCRIPTION	DCN
07-30-2020	D	CHANGES PER DCN 4843	4843
05-31-2022	E	CHANGES PER DCN 5632	5632



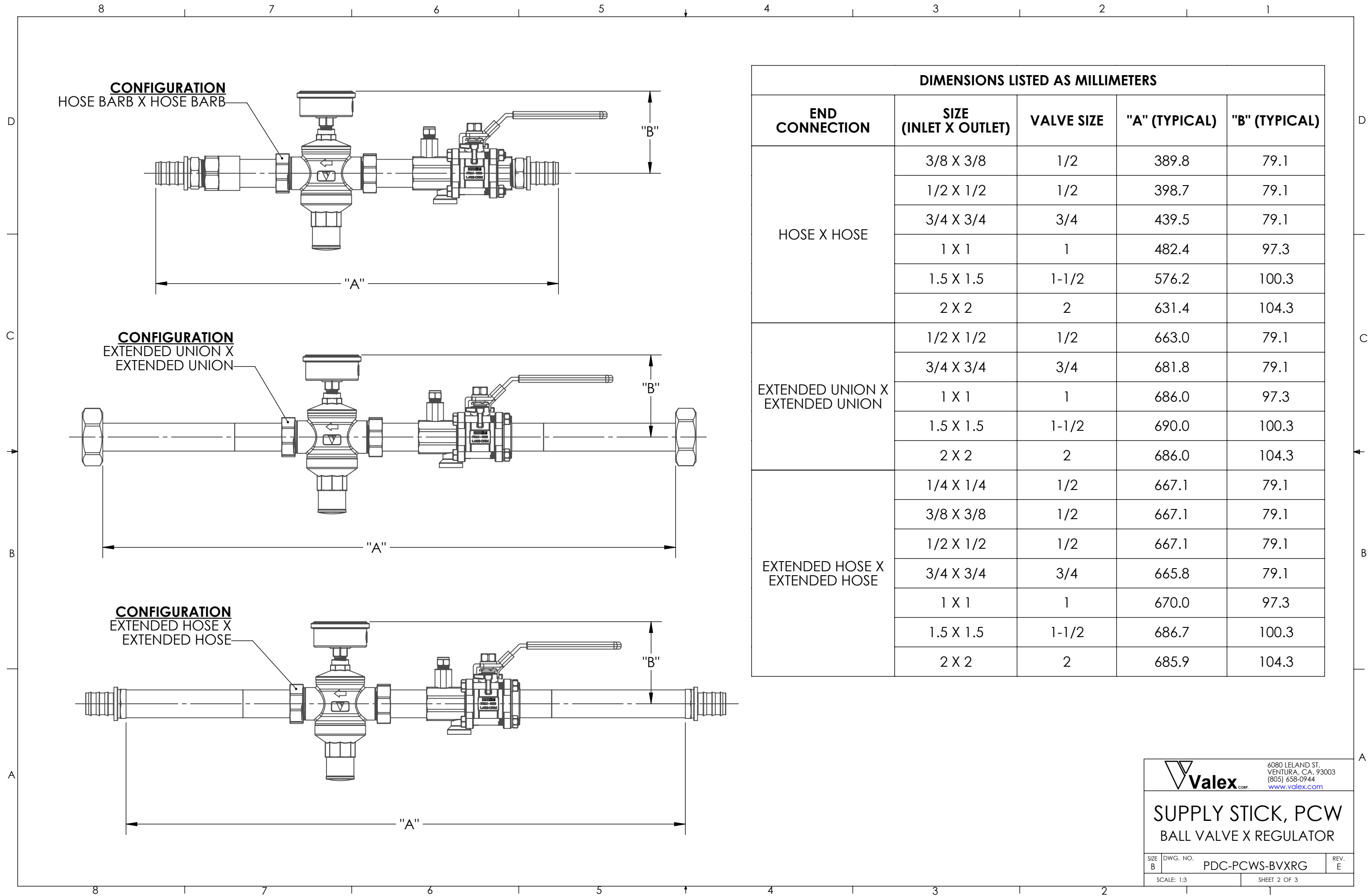
DIMENSIONS LISTED AS MILLIMETERS

END CONNECTION	SIZE (INLET X OUTLET)	VALVE SIZE	"A" (TYPICAL)	"B" (TYPICAL)
FNPT X FNPT	1/2 X 1/2	1/2	312.9	79.1
	3/4 X 3/4	3/4	325.3	79.1
	1 X 1	1	367.9	97.3
	1.5 X 1.5	1-1/2	400.0	100.3
	2 X 2	2	430.7	104.3
MNPT X MNPT	1/2 X 1/2	1/2	316.2	79.1
	3/4 X 3/4	3/4	327.5	79.1
	1 X 1	1	370.5	97.3
	1.5 X 1.5	1-1/2	402.0	100.3
	2 X 2	2	432.2	104.3
COMPRESSION X COMPRESSION	1/2 X 1/2	1/2	331.0	79.1
	3/4 X 3/4	3/4	346.5	79.1
	1 X 1	1	402.8	97.3
	1.5 X 1.5	1-1/2	505.4	100.3
	2 X 2	2	574.2	104.3


1. DIMENSIONS ARE APPROXIMATE AND MAY VARY ON EACH PCW ASSEMBLY.
2. REFERENCE VALEX SPECIFICATION SP-9238 FOR ADDITIONAL DETAILS.
3. DIMENSIONS ARE SUBJECT TO CHANGE AS PRODUCT IMPROVEMENTS MAY ALTER ASSEMBLY DESIGN.

NOTES: UNLESS OTHERWISE SPECIFIED

CAD GENERATED DRAWING. DO NOT MANUALLY UPDATE		 6080 LELAND ST. VENTURA, CA. 93003 (805) 658-0944 www.valex.com
APPROVALS	DATE	
DRAWN C. MAO	04-16-2019	SUPPLY STICK, PCW BALL VALVE X REGULATOR
CHECKED T. NEVINS	04-17-2019	
ENG. C. MAO	04-17-2019	
Q.A. J. KIM	04-18-2019	
MFG. T. KELLENBERGER	04-18-2019	
SIZE B	DWG. NO. PDC-PCWS-BVXRG	REV. E
SCALE: 1:3		SHEET 1 OF 3



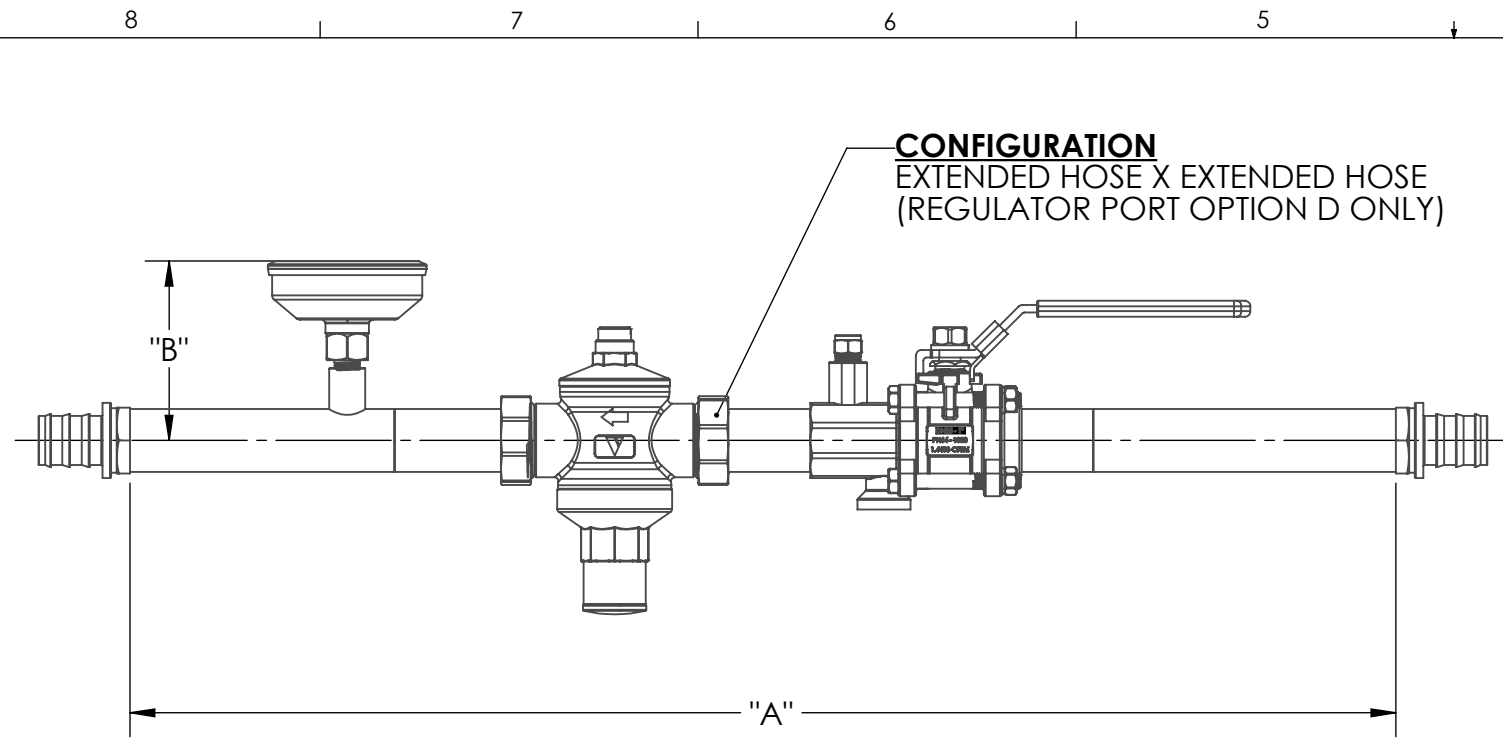
DIMENSIONS LISTED AS MILLIMETERS				
END CONNECTION	SIZE (INLET X OUTLET)	VALVE SIZE	"A" (TYPICAL)	"B" (TYPICAL)
HOSE X HOSE	3/8 X 3/8	1/2	389.8	79.1
	1/2 X 1/2	1/2	398.7	79.1
	3/4 X 3/4	3/4	439.5	79.1
	1 X 1	1	482.4	97.3
	1.5 X 1.5	1-1/2	576.2	100.3
EXTENDED UNION X EXTENDED UNION	1/2 X 1/2	1/2	663.0	79.1
	3/4 X 3/4	3/4	681.8	79.1
	1 X 1	1	686.0	97.3
	1.5 X 1.5	1-1/2	690.0	100.3
	2 X 2	2	686.0	104.3
EXTENDED HOSE X EXTENDED HOSE	1/4 X 1/4	1/2	667.1	79.1
	3/8 X 3/8	1/2	667.1	79.1
	1/2 X 1/2	1/2	667.1	79.1
	3/4 X 3/4	3/4	665.8	79.1
	1 X 1	1	670.0	97.3
	1.5 X 1.5	1-1/2	686.7	100.3
	2 X 2	2	685.9	104.3


 6080 LELAND ST.
 VENTURA, CA. 93003
 (805) 658-0944
www.valex.com


**SUPPLY STICK, PCW
BALL VALVE X REGULATOR**

SIZE B	DWG. NO. PDC-PCWS-BVXRG	REV. E
-----------	----------------------------	-----------

SCALE: 1:3 SHEET 2 OF 3



DIMENSIONS LISTED AS MILLIMETERS				
END CONNECTION	SIZE (INLET X OUTLET)	VALVE SIZE	"A" (TYPICAL)	"B" (TYPICAL)
EXTENDED HOSE X EXTENDED HOSE (REGULATOR PORT OPTION D ONLY)	1/4 X 1/4	1/2	667.1	90.3
	3/8 X 3/8	1/2	667.1	90.3
	1/2 X 1/2	1/2	667.1	90.3
	3/4 X 3/4	3/4	665.8	90.3
	1 X 1	1	670.0	94.8
	1.5 X 1.5	1-1/2	686.7	101.2
	2 X 2	2	685.9	103.2


 6080 LELAND ST.
 VENTURA, CA. 93003
 (805) 658-0944
www.valex.com

SUPPLY STICK, PCW
BALL VALVE X REGULATOR

SIZE B	DWG. NO. PDC-PCWS-BVXRG	REV. E
-----------	----------------------------	-----------

SCALE: 1:3 SHEET 3 OF 3