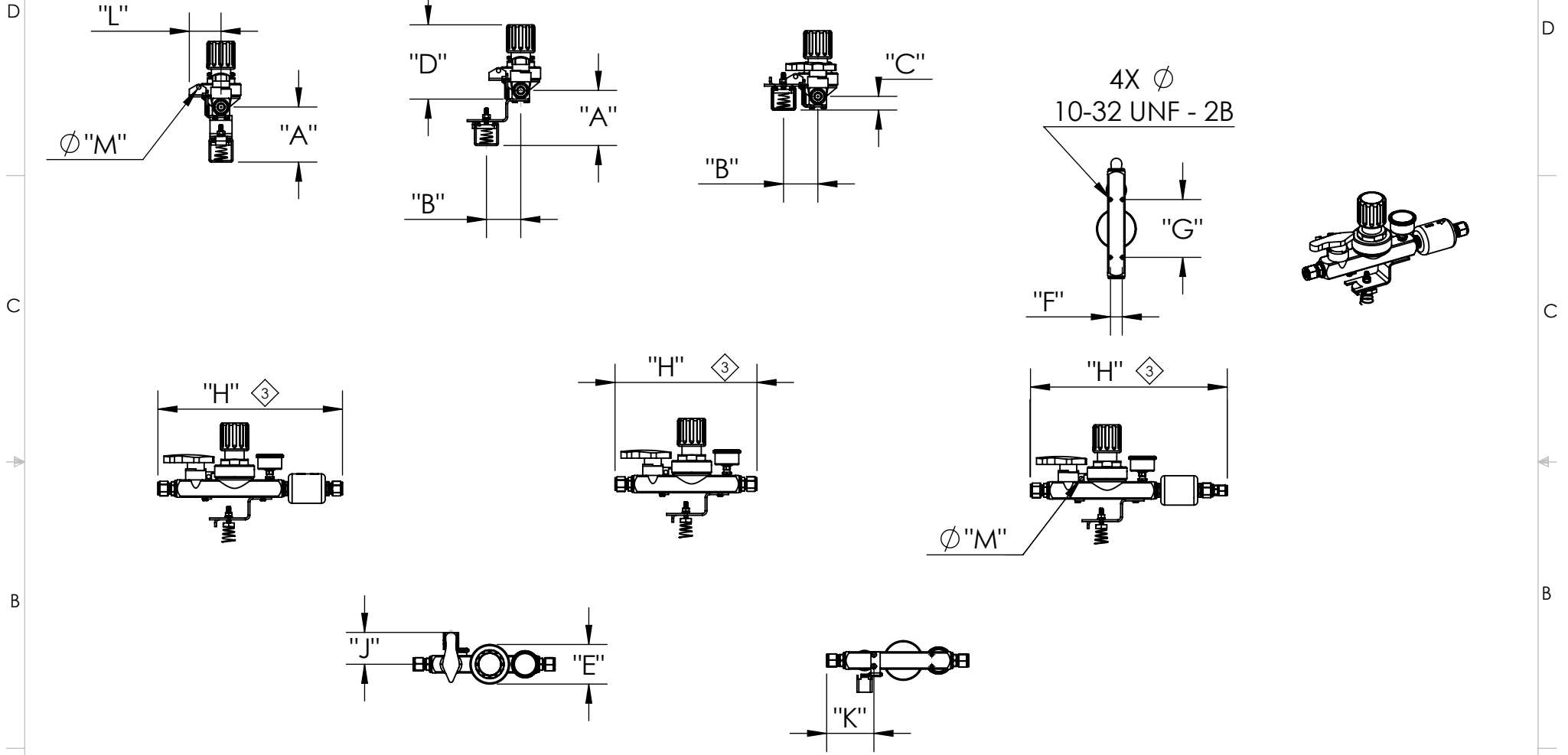


THE INFORMATION CONTAINED IN THIS DRAWING IS THE SOLE PROPERTY OF VALEX CORPORATION. ANY REPRODUCTION IN PART OR WHOLE WITHOUT THE WRITTEN PERMISSION OF VALEX CORPORATION IS PROHIBITED.

G CONFIGURATION ONLY

REVISION RECORD			
DATE	REV.	DESCRIPTION	DCN
07/31/20	F	Changes per DCN 4846	4846
09/23/20	G	Changes per DCN 4886	4886
10/14/20	H	Changes per DCN 4904	4904



NOTES:

1. DIMENSIONS ARE APPROXIMATE AND MAY VARY FROM VALVE TO VALVE
REFERENCE VALEX SPECIFICATION SP-9240
2. DIMENSIONS ARE SUBJECT TO CHANGE AS PRODUCT IMPROVEMENTS MAY ALTER VALVE DESIGN.
3. OVERALL LENGTH DIMENSION IS CALCULATED ASSUMING COMPRESSION NUT IS FINGER TIGHT.
4. HIEGHT AND OFFSET DIMENSIONS ARE CALCULATED USING 1-5/8" X 1-5/8" STRUT CHANNEL MATERIAL
5. UNITS ARE IN INCHES

		6080 LELAND ST. VENTURA, CA. 93003 (805) 658-0944 www.valex.com	
		CUT SHEET CFOS GAS STICK	
SIZE A	DWG. NO. PDC-GAS STICK	REV. H	
SCALE: 1:10		SHEET 1 OF 5	

G CONFIGURATION ONLY

PART NUMBER	DESCRIPTION	"A"	"B"	"C"	"D"	"E"	"F"	"G"	"H"	"J"	"K"	"L"	"M"
GA-0404C-1-00	1/4" GAS STICK ASSEMBLY, 0.15 CV	-	-	-	3.8	1.89	0.5	3.0	7.7	1.6	2.4	1.5	0.28
GA-0404C-1-01	1/4"GAS STICK ASSEMBLY, 0.15 CV, TEM FILTER (LOW FLOW)	-	-	-	3.8	1.89	0.5	3.0	12.4	1.6	2.4	1.5	0.28
GA-0404C-1-02	1/4"GAS STICK ASSEMBLY, 0.15 CV, TEM FILTER (HIGH FLOW)	-	-	-	3.8	1.89	0.5	3.0	11.8	1.6	2.4	1.5	0.28
GA-0404C-1-03	1/4"GAS STICK ASSEMBLY, 0.15 CV, ENTEGRIS FILTER	-	-	-	3.8	1.89	0.5	3.0	12.1	1.6	2.4	1.5	0.28
GA-0404C-1-10	1/4" GAS STICK ASSEMBLY, 0.15 CV, STRUT CHANNEL BRACKET	3.6	2.3	0.8	3.8	1.89	0.5	3.0	7.7	1.6	2.4	1.5	0.28
GA-0404C-1-11	1/4"GAS STICK ASSEMBLY, 0.15 CV, TEM FILTER (LOW FLOW), STRUT CHANNEL BRACKET	3.6	2.3	0.8	3.8	1.89	0.5	3.0	12.4	1.6	2.4	1.5	0.28
GA-0404C-1-12	1/4"GAS STICK ASSEMBLY, 0.15 CV, TEM FILTER (HIGH FLOW), STRUT CHANNEL BRACKET	3.6	2.3	0.8	3.8	1.89	0.5	3.0	11.8	1.6	2.4	1.5	0.28
GA-0404C-1-13	1/4"GAS STICK ASSEMBLY, 0.15 CV, ENTEGRIS FILTER, STRUT CHANNEL BRACKET	3.6	2.3	0.8	3.8	1.89	0.5	3.0	12.1	1.6	2.4	1.5	0.28
GA-0404C-1-20	1/4" GAS STICK ASSEMBLY, 0.15 CV, LOTO BRACKET	-	-	-	3.8	1.89	0.5	3.0	7.7	1.6	2.4	1.5	0.28
GA-0404C-1-21	1/4"GAS STICK ASSEMBLY, 0.15 CV, TEM FILTER (LOW FLOW), LOTO BRACKET	-	-	-	3.8	1.89	0.5	3.0	12.4	1.6	2.4	1.5	0.28
GA-0404C-1-22	1/4"GAS STICK ASSEMBLY, 0.15 CV, TEM FILTER (HIGH FLOW), LOTO BRACKET	-	-	-	3.8	1.89	0.5	3.0	11.8	1.6	2.4	1.5	0.28
GA-0404C-1-23	1/4"GAS STICK ASSEMBLY, 0.15 CV, ENTEGRIS FILTER, LOTO BRACKET	-	-	-	3.8	1.89	0.5	3.0	12.1	1.6	2.4	1.5	0.28
GA-0404C-1-30	1/4" GAS STICK ASSEMBLY, 0.15 CV, STRUT CHANNEL BRACKET, LOTO BRACKET	3.6	2.3	0.8	3.8	1.89	0.5	3.0	7.7	1.6	2.4	1.5	0.28
GA-0404C-1-31	1/4"GAS STICK ASSEMBLY, 0.15 CV, TEM FILTER (LOW FLOW), STRUT CHANNEL BRACKET, LOTO BRACKET	3.6	2.3	0.8	3.8	1.89	0.5	3.0	12.4	1.6	2.4	1.5	0.28
GA-0404C-1-32	1/4"GAS STICK ASSEMBLY, 0.15 CV, TEM FILTER (HIGH FLOW), STRUT CHANNEL BRACKET, LOTO BRACKET	3.6	2.3	0.8	3.8	1.89	0.5	3.0	11.8	1.6	2.4	1.5	0.28
GA-0404C-1-33	1/4"GAS STICK ASSEMBLY, 0.15 CV, ENTEGRIS FILTER, STRUT CHANNEL BRACKET, LOTO BRACKET	3.6	2.3	0.8	3.8	1.89	0.5	3.0	12.1	1.6	2.4	1.5	0.28
GA-0606C-1-00	3/8" GAS STICK ASSEMBLY, 0.15 CV	-	-	-	3.8	1.89	0.5	3.0	7.9	1.6	2.6	1.5	0.28
GA-0606C-1-01	3/8"GAS STICK ASSEMBLY, 0.15 CV, TEM FILTER (LOW FLOW)	-	-	-	3.8	1.89	0.5	3.0	12.6	1.6	2.6	1.5	0.28
GA-0606C-1-02	3/8"GAS STICK ASSEMBLY, 0.15 CV, TEM FILTER (HIGH FLOW)	-	-	-	3.8	1.89	0.5	3.0	11.2	1.6	2.6	1.5	0.28
GA-0606C-1-03	3/8"GAS STICK ASSEMBLY, 0.15 CV, ENTEGRIS FILTER	-	-	-	3.8	1.89	0.5	3.0	13.4	1.6	2.6	1.5	0.28
GA-0606C-1-10	3/8" GAS STICK ASSEMBLY, 0.15 CV, STRUT CHANNEL BRACKET	3.6	2.3	0.8	3.8	1.89	0.5	3.0	7.9	1.6	2.6	1.5	0.28
GA-0606C-1-11	3/8"GAS STICK ASSEMBLY, 0.15 CV, TEM FILTER (LOW FLOW), STRUT CHANNEL BRACKET	3.6	2.3	0.8	3.8	1.89	0.5	3.0	12.6	1.6	2.6	1.5	0.28
GA-0606C-1-12	3/8"GAS STICK ASSEMBLY, 0.15 CV, TEM FILTER (HIGH FLOW), STRUT CHANNEL BRACKET	3.6	2.3	0.8	3.8	1.89	0.5	3.0	11.2	1.6	2.6	1.5	0.28
GA-0606C-1-13	3/8"GAS STICK ASSEMBLY, 0.15 CV, ENTEGRIS FILTER, STRUT CHANNEL BRACKET	3.6	2.3	0.8	3.8	1.89	0.5	3.0	13.4	1.6	2.6	1.5	0.28
GA-0606C-1-20	3/8" GAS STICK ASSEMBLY, 0.15 CV, LOTO BRACKET	-	-	-	3.8	1.89	0.5	3.0	7.9	1.6	2.6	1.5	0.28
GA-0606C-1-21	3/8"GAS STICK ASSEMBLY, 0.15 CV, TEM FILTER (LOW FLOW), LOTO BRACKET	-	-	-	3.8	1.89	0.5	3.0	12.6	1.6	2.6	1.5	0.28
GA-0606C-1-22	3/8"GAS STICK ASSEMBLY, 0.15 CV, TEM FILTER (HIGH FLOW), LOTO BRACKET	-	-	-	3.8	1.89	0.5	3.0	11.2	1.6	2.6	1.5	0.28
GA-0606C-1-23	3/8"GAS STICK ASSEMBLY, 0.15 CV, ENTEGRIS FILTER, LOTO BRACKET	-	-	-	3.8	1.89	0.5	3.0	13.4	1.6	2.6	1.5	0.28
GA-0606C-1-30	3/8" GAS STICK ASSEMBLY, 0.15 CV, STRUT CHANNEL BRACKET, LOTO BRACKET	3.6	2.3	0.8	3.8	1.89	0.5	3.0	7.9	1.6	2.6	1.5	0.28
GA-0606C-1-31	3/8"GAS STICK ASSEMBLY, 0.15 CV, TEM FILTER (LOW FLOW), STRUT CHANNEL BRACKET, LOTO BRACKET	3.6	2.3	0.8	3.8	1.89	0.5	3.0	12.6	1.6	2.6	1.5	0.28
GA-0606C-1-32	3/8"GAS STICK ASSEMBLY, 0.15 CV, TEM FILTER (HIGH FLOW), STRUT CHANNEL BRACKET, LOTO BRACKET	3.6	2.3	0.8	3.8	1.89	0.5	3.0	11.2	1.6	2.6	1.5	0.28
GA-0606C-1-33	3/8"GAS STICK ASSEMBLY, 0.15 CV, ENTEGRIS FILTER, STRUT CHANNEL BRACKET, LOTO BRACKET	3.6	2.3	0.8	3.8	1.89	0.5	3.0	13.4	1.6	2.6	1.5	0.28
GB-0606C-1-00	3/8" GAS STICK ASSEMBLY, 1.8 CV	-	-	-	5.1	2.72	0.8	3.9	9.6	2.2	3.2	2.2	0.28
GB-0606C-1-01	3/8"GAS STICK ASSEMBLY, 1.8 CV, TEM FILTER (LOW FLOW)	-	-	-	5.1	2.72	0.8	3.9	13.4	2.2	3.2	2.2	0.28
GB-0606C-1-02	3/8"GAS STICK ASSEMBLY, 1.8 CV, TEM FILTER (HIGH FLOW)	-	-	-	5.1	2.72	0.8	3.9	17.0	2.2	3.2	2.2	0.28
GB-0606C-1-03	3/8"GAS STICK ASSEMBLY, 1.8 CV, ENTEGRIS FILTER	3.6	2.3	0.8	5.1	2.72	0.8	3.9	15.2	2.2	3.2	2.2	0.28
GB-0606C-1-10	3/8" GAS STICK ASSEMBLY, 1.8 CV, STRUT CHANNEL BRACKET	3.6	2.3	0.8	5.1	2.72	0.8	3.9	9.6	2.2	3.2	2.2	0.28
GB-0606C-1-11	3/8"GAS STICK ASSEMBLY, 1.8 CV, TEM FILTER (LOW FLOW), STRUT CHANNEL BRACKET	3.6	2.3	0.8	5.1	2.72	0.8	3.9	13.4	2.2	3.2	2.2	0.28
GB-0606C-1-12	3/8"GAS STICK ASSEMBLY, 1.8 CV, TEM FILTER (HIGH FLOW), STRUT CHANNEL BRACKET	3.6	2.3	0.8	5.1	2.72	0.8	3.9	17.0	2.2	3.2	2.2	0.28
GB-0606C-1-13	3/8"GAS STICK ASSEMBLY, 1.8 CV, ENTEGRIS FILTER, STRUT CHANNEL BRACKET	-	-	-	5.1	2.72	0.8	3.9	15.2	2.2	3.2	2.2	0.28
GB-0606C-1-20	3/8" GAS STICK ASSEMBLY, 1.8 CV, LOTO BRACKET	-	-	-	5.1	2.72	0.8	3.9	9.6	2.2	3.2	2.2	0.28
GB-0606C-1-21	3/8"GAS STICK ASSEMBLY, 1.8 CV, TEM FILTER (LOW FLOW), LOTO BRACKET	-	-	-	5.1	2.72	0.8	3.9	13.4	2.2	3.2	2.2	0.28
GB-0606C-1-22	3/8"GAS STICK ASSEMBLY, 1.8 CV, TEM FILTER (HIGH FLOW), LOTO BRACKET	-	-	-	5.1	2.72	0.8	3.9	17.0	2.2	3.2	2.2	0.28
GB-0606C-1-23	3/8"GAS STICK ASSEMBLY, 1.8 CV, ENTEGRIS FILTER, LOTO BRACKET	-	-	-	5.1	2.72	0.8	3.9	15.2	2.2	3.2	2.2	0.28
GB-0606C-1-30	3/8" GAS STICK ASSEMBLY, 1.8 CV, STRUT CHANNEL BRACKET, LOTO BRACKET	3.6	2.3	0.8	5.1	2.72	0.8	3.9	9.6	2.2	3.2	2.2	0.28
GB-0606C-1-31	3/8"GAS STICK ASSEMBLY, 1.8 CV, TEM FILTER (LOW FLOW), STRUT CHANNEL BRACKET, LOTO BRACKET	3.6	2.3	0.8	5.1	2.72	0.8	3.9	13.4	2.2	3.2	2.2	0.28
GB-0606C-1-32	3/8"GAS STICK ASSEMBLY, 1.8 CV, TEM FILTER (HIGH FLOW), STRUT CHANNEL BRACKET, LOTO BRACKET	3.6	2.3	0.8	5.1	2.72	0.8	3.9	17.0	2.2	3.2	2.2	0.28
GB-0606C-1-33	3/8"GAS STICK ASSEMBLY, 1.8 CV, ENTEGRIS FILTER, STRUT CHANNEL BRACKET, LOTO BRACKET	3.6	2.3	0.8	5.1	2.72	0.8	3.9	15.2	2.2	3.2	2.2	0.28



CUT SHEET CFOS GAS STICK

SIZE A	DWG. NO. PDC-GAS STICK	REV. H
-----------	---------------------------	-----------

G CONFIGURATION ONLY

PART NUMBER	DESCRIPTION	"A"	"B"	"C"	"D"	"E"	"F"	"G"	"H"	"J"	"K"	"L"	"M"
GB-0808C-1-00	1/2" GAS STICK ASSEMBLY, 1.8 CV	-	-	-	5.1	2.72	0.8	3.9	9.7	2.2	3.3	2.2	0.28
GB-0808C-1-01	1/2"GAS STICK ASSEMBLY, 1.8 CV, TEM FILTER (LOW FLOW)	-	-	-	5.1	2.72	0.8	3.9	13.7	2.2	3.3	2.2	0.28
GB-0808C-1-02	1/2"GAS STICK ASSEMBLY, 1.8 CV, TEM FILTER (HIGH FLOW)	-	-	-	5.1	2.72	0.8	3.9	17.3	2.2	3.3	2.2	0.28
GB-0808C-1-03	1/2"GAS STICK ASSEMBLY, 1.8 CV, ENTEGRIS FILTER	-	-	-	5.1	2.72	0.8	3.9	14.3	2.2	3.3	2.2	0.28
GB-0808C-1-10	1/2" GAS STICK ASSEMBLY, 1.8 CV, STRUT CHANNEL BRACKET	3.6	2.3	0.8	5.1	2.72	0.8	3.9	9.7	2.2	3.3	2.2	0.28
GB-0808C-1-11	1/2"GAS STICK ASSEMBLY, 1.8 CV, TEM FILTER (LOW FLOW), STRUT CHANNEL BRACKET	3.6	2.3	0.8	5.1	2.72	0.8	3.9	13.7	2.2	3.3	2.2	0.28
GB-0808C-1-12	1/2"GAS STICK ASSEMBLY, 1.8 CV, TEM FILTER (HIGH FLOW), STRUT CHANNEL BRACKET	3.6	2.3	0.8	5.1	2.72	0.8	3.9	17.3	2.2	3.3	2.2	0.28
GB-0808C-1-13	1/2"GAS STICK ASSEMBLY, 1.8 CV, ENTEGRIS FILTER, STRUT CHANNEL BRACKET	3.6	2.3	0.8	5.1	2.72	0.8	3.9	14.3	2.2	3.3	2.2	0.28
GB-0808C-1-20	1/2" GAS STICK ASSEMBLY, 1.8 CV, LOTO BRACKET	-	-	-	5.1	2.72	0.8	3.9	9.7	2.2	3.3	2.2	0.28
GB-0808C-1-21	1/2"GAS STICK ASSEMBLY, 1.8 CV, TEM FILTER (LOW FLOW), LOTO BRACKET	-	-	-	5.1	2.72	0.8	3.9	13.7	2.2	3.3	2.2	0.28
GB-0808C-1-22	1/2"GAS STICK ASSEMBLY, 1.8 CV, TEM FILTER (HIGH FLOW), LOTO BRACKET	-	-	-	5.1	2.72	0.8	3.9	17.3	2.2	3.3	2.2	0.28
GB-0808C-1-23	1/2"GAS STICK ASSEMBLY, 1.8 CV, ENTEGRIS FILTER, LOTO BRACKET	-	-	-	5.1	2.72	0.8	3.9	14.3	2.2	3.3	2.2	0.28
GB-0808C-1-30	1/2" GAS STICK ASSEMBLY, 1.8 CV, STRUT CHANNEL BRACKET, LOTO BRACKET	3.6	2.3	0.8	5.1	2.72	0.8	3.9	9.7	2.2	3.3	2.2	0.28
GB-0808C-1-31	1/2"GAS STICK ASSEMBLY, 1.8 CV, TEM FILTER (LOW FLOW), STRUT CHANNEL BRACKET, LOTO BRACKET	3.6	2.3	0.8	5.1	2.72	0.8	3.9	13.7	2.2	3.3	2.2	0.28
GB-0808C-1-32	1/2"GAS STICK ASSEMBLY, 1.8 CV, TEM FILTER (HIGH FLOW), STRUT CHANNEL BRACKET, LOTO BRACKET	3.6	2.3	0.8	5.1	2.72	0.8	3.9	17.3	2.2	3.3	2.2	0.28
GB-0808C-1-33	1/2"GAS STICK ASSEMBLY, 1.8 CV, ENTEGRIS FILTER, STRUT CHANNEL BRACKET, LOTO BRACKET	3.6	2.3	0.8	5.1	2.72	0.8	3.9	14.3	2.2	3.3	2.2	0.28
GB-0808C-1-00	3/4" GAS STICK ASSEMBLY, 1.8 CV	-	-	-	5.1	2.72	0.8	3.9	10.0	2.2	3.4	2.2	0.28
GB-0808C-1-01	3/4"GAS STICK ASSEMBLY, 1.8 CV, TEM FILTER (LOW FLOW)	-	-	-	5.1	2.72	0.8	3.9	15.1	2.2	3.4	2.2	0.28
GB-0808C-1-02	3/4"GAS STICK ASSEMBLY, 1.8 CV, TEM FILTER (HIGH FLOW)	-	-	-	5.1	2.72	0.8	3.9	18.8	2.2	3.4	2.2	0.28
GB-0808C-1-03	3/4"GAS STICK ASSEMBLY, 1.8 CV, ENTEGRIS FILTER	-	-	-	5.1	2.72	0.8	3.9	17.7	2.2	3.4	2.2	0.28
GB-0808C-1-10	3/4" GAS STICK ASSEMBLY, 1.8 CV, STRUT CHANNEL BRACKET	3.6	2.3	0.8	5.1	2.72	0.8	3.9	10.0	2.2	3.4	2.2	0.28
GB-0808C-1-11	3/4"GAS STICK ASSEMBLY, 1.8 CV, TEM FILTER (LOW FLOW), STRUT CHANNEL BRACKET	3.6	2.3	0.8	5.1	2.72	0.8	3.9	15.1	2.2	3.4	2.2	0.28
GB-0808C-1-12	3/4"GAS STICK ASSEMBLY, 1.8 CV, TEM FILTER (HIGH FLOW), STRUT CHANNEL BRACKET	3.6	2.3	0.8	5.1	2.72	0.8	3.9	18.8	2.2	3.4	2.2	0.28
GB-0808C-1-13	3/4"GAS STICK ASSEMBLY, 1.8 CV, ENTEGRIS FILTER, STRUT CHANNEL BRACKET	3.6	2.3	0.8	5.1	2.72	0.8	3.9	17.7	2.2	3.4	2.2	0.28
GB-0808C-1-20	3/4" GAS STICK ASSEMBLY, 1.8 CV, LOTO BRACKET	-	-	-	5.1	2.72	0.8	3.9	10.0	2.2	3.4	2.2	0.28
GB-0808C-1-21	3/4"GAS STICK ASSEMBLY, 1.8 CV, TEM FILTER (LOW FLOW), LOTO BRACKET	-	-	-	5.1	2.72	0.8	3.9	15.1	2.2	3.4	2.2	0.28
GB-0808C-1-22	3/4"GAS STICK ASSEMBLY, 1.8 CV, TEM FILTER (HIGH FLOW), LOTO BRACKET	-	-	-	5.1	2.72	0.8	3.9	18.8	2.2	3.4	2.2	0.28
GB-0808C-1-23	3/4"GAS STICK ASSEMBLY, 1.8 CV, ENTEGRIS FILTER, LOTO BRACKET	-	-	-	5.1	2.72	0.8	3.9	17.7	2.2	3.4	2.2	0.28
GB-0808C-1-30	3/4" GAS STICK ASSEMBLY, 1.8 CV, STRUT CHANNEL BRACKET, LOTO BRACKET	3.6	2.3	0.8	5.1	2.72	0.8	3.9	10.0	2.2	3.4	2.2	0.28
GB-0808C-1-31	3/4"GAS STICK ASSEMBLY, 1.8 CV, TEM FILTER (LOW FLOW), STRUT CHANNEL BRACKET, LOTO BRACKET	3.6	2.3	0.8	5.1	2.72	0.8	3.9	15.1	2.2	3.4	2.2	0.28
GB-0808C-1-32	3/4"GAS STICK ASSEMBLY, 1.8 CV, TEM FILTER (HIGH FLOW), STRUT CHANNEL BRACKET, LOTO BRACKET	3.6	2.3	0.8	5.1	2.72	0.8	3.9	18.8	2.2	3.4	2.2	0.28
GB-0808C-1-33	3/4"GAS STICK ASSEMBLY, 1.8 CV, ENTEGRIS FILTER, STRUT CHANNEL BRACKET, LOTO BRACKET	3.6	2.3	0.8	5.1	2.72	0.8	3.9	17.7	2.2	3.4	2.2	0.28

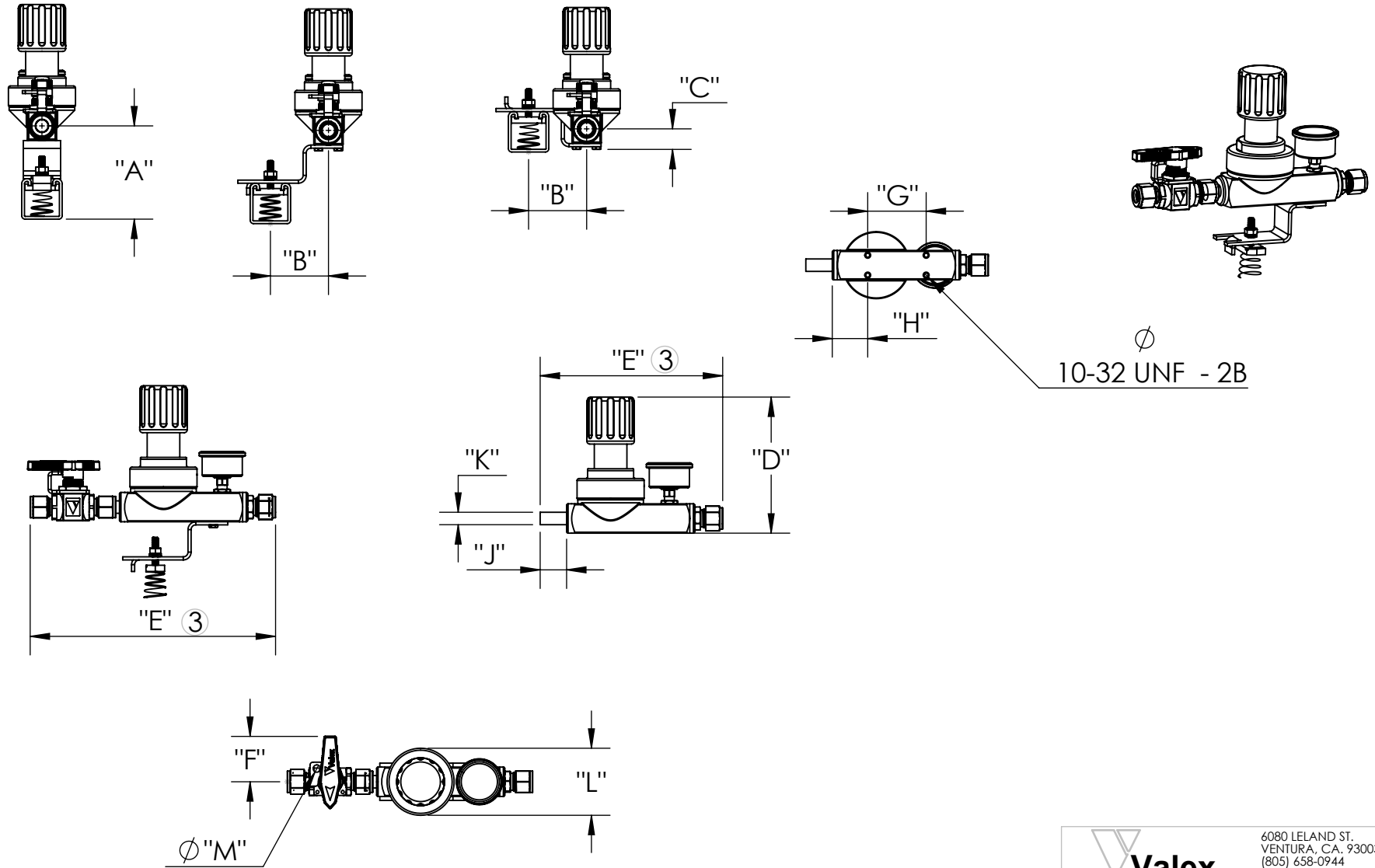
6080 LELAND ST.
VENTURA, CA. 93003
(805) 658-0944
www.valex.com

CUT SHEET
CFOS GAS STICK

SIZE A	DWG. NO. PDC-GAS STICK	REV. H
SCALE: 1:10		SHEET 3 OF 5


THE INFORMATION CONTAINED IN THIS DRAWING IS THE SOLE PROPERTY OF VALEX CORPORATION. ANY REPRODUCTION IN PART OR WHOLE WITHOUT THE WRITTEN PERMISSION OF VALEX CORPORATION IS PROHIBITED.

G2 & G3 CONFIGURATIONS ONLY



NOTES:

1. DIMENSIONS ARE APPROXIMATE AND MAY VARY FROM VALVE TO VALVE
REFERENCE VALEX SPECIFICATION SP-9240
2. DIMENSIONS ARE SUBJECT TO CHANGE AS PRODUCTS IMPROVEMENTS MAY ALTER VALVE DESING
- ③ OVERALL LENGTH DIMENSION IS CALCULATED ASSUMBING COMPRESSION NUT IS FINGER TIGHT
4. HIEGHT AND OFFSET DIMENSIONS ARE CALCULATED USING 1-5/8" X 1-5/8" STRUT CHANNEL MATERIAL
5. UNITS ARE IN INCHES

		6080 LELAND ST. VENTURA, CA. 93003 (805) 658-0944 www.valex.com	
		<h2>CUT SHEET CFOS GAS STICK</h2>	
SIZE A	DWG. NO. PDC-GAS STICK	REV. H	
SCALE: 1:6		SHEET 4 OF 5	

G2 & G3 CONFIGURATIONS ONLY

PART NUMBER	DESCRIPTION	"A"	"B"	"C"	"D"	"E"	"F"	"G"	"H"	"J"	"K"	"L"	"M"
G3A-0404C-1-00	1/4" GAS STICK W/O BALL VALVE, 0.15 CV	-	-	-	4.2	5.9	-	1.77	1.20	0.75	0.25	1.89	-
G3A-0404C-1-10	1/4" GAS STICK W/O BALL VALVE, 0.15 CV, MOUNTING BRACKET	3.59	2.34	0.67	4.2	5.9	-	1.77	1.20	0.75	0.25	1.89	-
G3B-0808C-1-00	1/2" GAS STICK W/O BALL VALVE, 1.8 CV	-	-	-	5.5	7.3	-	2.35	1.43	1.06	0.50	2.70	-
G3B-0808C-1-10	1/2" GAS STICK W/O BALL VALVE, 1.8 CV, MOUNTING BRACKET	3.79	2.34	0.87	5.5	7.3	-	2.35	1.43	1.06	0.50	2.70	-
G2A-0404C-1-00	1/4" GAS STICK ASSEMBLY, 0.15 CV	-	-	-	4.2	7.9	1.22	1.77	1.20	-	-	1.89	-
G2A-0404C-1-10	1/4" GAS STICK ASSEMBLY, 0.15 CV, MOUNTING BRACKET	3.59	2.34	0.67	4.2	7.9	1.22	1.77	1.20	-	-	1.89	-
G2A-0404C-1-20	1/4" GAS STICK ASSEMBLY, 0.15 CV, LOTO	-	-	-	4.2	7.9	1.22	1.77	1.20	-	-	1.89	0.3
G2A-0404C-1-30	1/4" GAS STICK ASSEMBLY, 0.15 CV, MOUNTING BRACKET, LOTO	3.59	2.34	0.67	4.2	7.9	1.22	1.77	1.20	-	-	1.89	0.3
G2B-0808C-1-00	1/2" GAS STICK ASSEMBLY, 1.8 CV	-	-	-	5.5	9.9	1.83	2.35	1.43	-	-	2.70	-
G2B-0808C-1-10	1/2" GAS STICK ASSEMBLY, 1.8 CV, MOUNTING BRACKET	3.79	2.34	0.87	5.5	9.9	1.83	2.35	1.43	-	-	2.70	-
G2B-0808C-1-20	1/2" GAS STICK ASSEMBLY, 1.8 CV, LOTO	-	-	-	5.5	9.9	1.83	2.35	1.43	-	-	2.70	0.3
G2B-0808C-1-30	1/2" GAS STICK ASSEMBLY, 1.8 CV, MOUNTING BRACKET, LOTO	3.79	2.34	0.87	5.5	9.9	1.83	2.35	1.43	-	-	2.70	0.3


Valex
 6080 LELAND ST.
 VENTURA, CA. 93003
 (805) 658-0944
www.valex.com

**CUT SHEET
CFOS GAS STICK**

SIZE A	DWG. NO. PDC-GAS STICK	REV. H
SCALE: 1:6		SHEET 5 OF 5