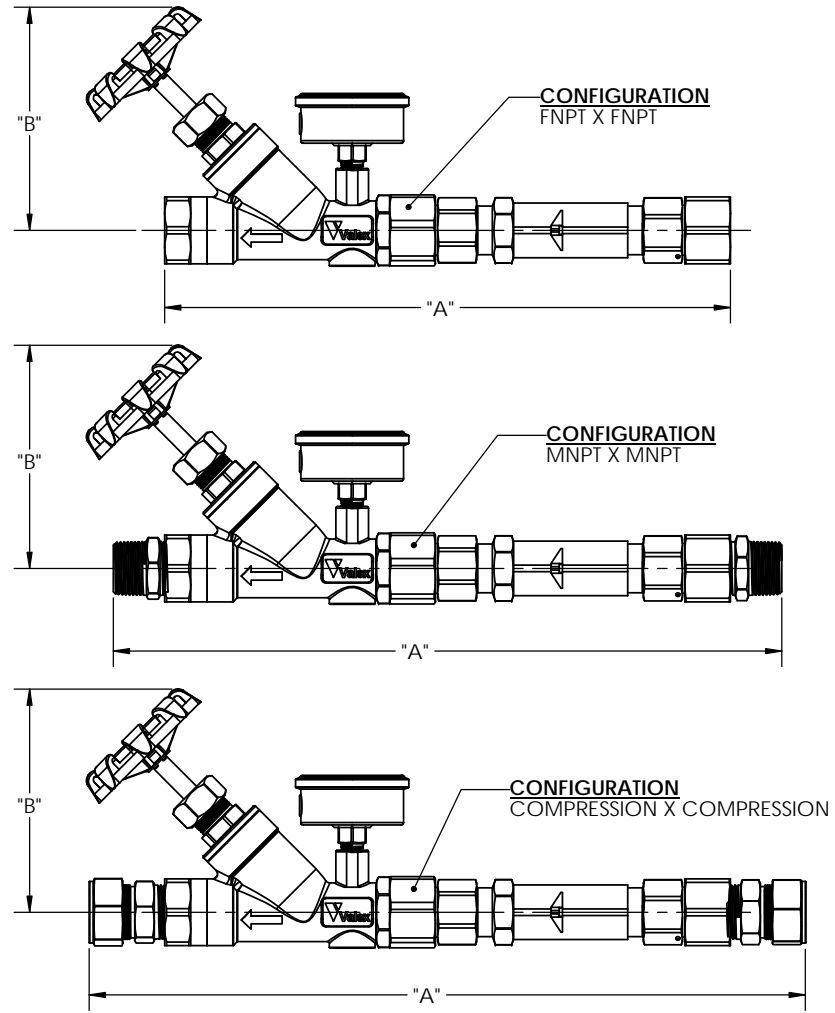


REVISION RECORD			
DATE	REV.	DESCRIPTION	DCN
11-04-2020	E	CHANGES PER DCN 4925	4925



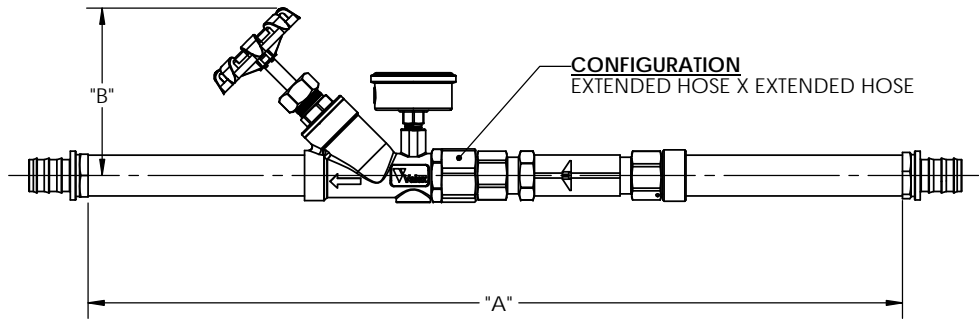
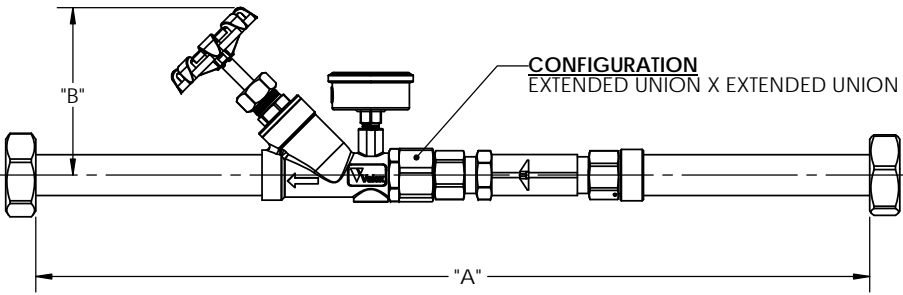
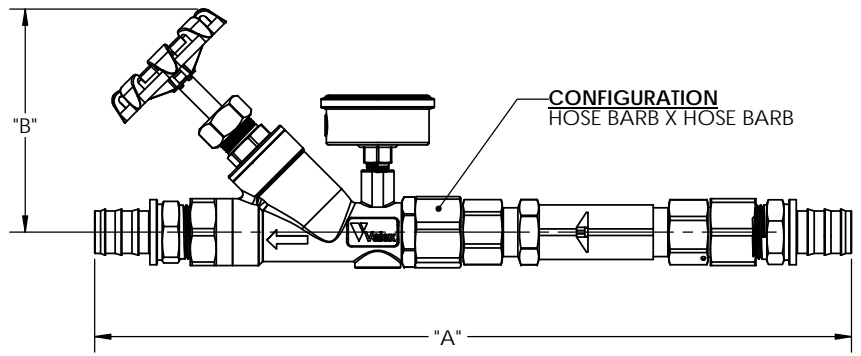
DIMENSIONS LISTED AS MILLIMETERS				
END CONNECTION	SIZE (INLET X OUTLET)	"A" (TYPICAL)	"B" (TYPICAL)	
			VALVE OPEN	VALVE CLOSED
FNPT X FNPT	1/2 X 1/2	308.0	99.4	92.4
	3/4 X 3/4	324.0	115.8	104.8
	1 X 1	347.0	136.9	123.7
	1.5 X 1.5	440.6	164.4	145.1
	2 X 2	470.6	187.9	162.8
MNPT X MNPT	1/2 X 1/2	366.6	99.4	92.4
	3/4 X 3/4	382.4	115.8	104.8
	1 X 1	410.0	136.9	123.7
	1.5 X 1.5	508.7	164.4	145.1
	2 X 2	541.5	187.9	162.8
COMPRESSION X COMPRESSION	1/2 X 1/2	382.0	99.4	92.4
	3/4 X 3/4	397.2	115.8	104.8
	1 X 1	439.6	136.9	123.7
	1.5 X 1.5	583.7	164.4	145.1
	2 X 2	660.0	187.9	162.8

1. DIMENSIONS ARE APPROXIMATE AND MAY VARY ON EACH PCW ASSEMBLY.
2. REFERENCE VALEX SPECIFICATION SP-9238 FOR ADDITIONAL DETAILS.
3. DIMENSIONS ARE SUBJECT TO CHANGE AS PRODUCT IMPROVEMENTS MAY ALTER ASSEMBLY DESIGN.

NOTES: UNLESS OTHERWISE SPECIFIED

CAD GENERATED DRAWING. DO NOT MANUALLY UPDATE		6080 LELAND ST. VENTURA, CA, 93003 (805) 658-0944 www.valex.com	
APPROVALS	DATE	RETURN STICK, PCW FLOWMETER X GLOBE VALVE	
DRAWN C. MAG	10-04-2018	SIZE B	DWG. NO. PDC-PCWR-FMXGV
CHECKED T. NEVINS	04-17-2019	SCALE: 1:3	REV. E
ENG. C. MAG	04-17-2019	SHEET 1 OF 2	
C.A. J. KIM	04-18-2019		
MFG. T. KELLENBERGER	04-18-2019		

8 7 6 5 4 3 2 1



DIMENSIONS LISTED AS MILLIMETERS				
END CONNECTION	SIZE (INLET X OUTLET)	"A" (TYPICAL)	"B" (TYPICAL)	
			VALVE OPEN	VALVE CLOSED
HOSE X HOSE	1/2 X 1/2	393.8	99.4	92.4
	3/4 X 3/4	438.2	115.8	104.8
	1 X 1	464.2	136.9	123.7
	1.5 X 1.5	616.9	164.4	145.1
	2 X 2	671.3	187.9	162.8
EXTENDED UNION X EXTENDED UNION	1/2 X 1/2	676.0	99.4	92.4
	3/4 X 3/4	678.0	115.8	104.8
	1 X 1	682.0	136.9	123.7
	1.5 X 1.5	676.7	164.4	145.1
	2 X 2	688.0	187.9	162.8
EXTENDED HOSE X EXTENDED HOSE	1/2 X 1/2	670.0	99.4	92.4
	3/4 X 3/4	662.0	115.8	104.8
	1 X 1	666.0	136.9	123.7
	1.5 X 1.5	663.4	164.4	145.1
	2 X 2	687.8	187.9	162.8

Valex
6080 LELAND ST.
VENTURA, CA, 93003
(805) 658-0944
www.valex.com

**RETURN STICK, PCW
FLOWMETER X GLOBE VALVE**

SIZE B	DWG. NO. PDC-PCWR-FMXGV	REV. E
SCALE: 1:3		SHEET 2 OF 2

8 7 6 5 4 3 2 1