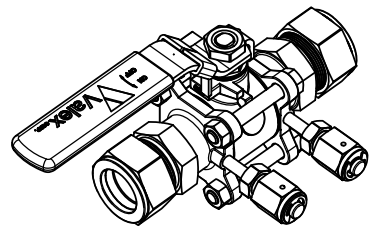
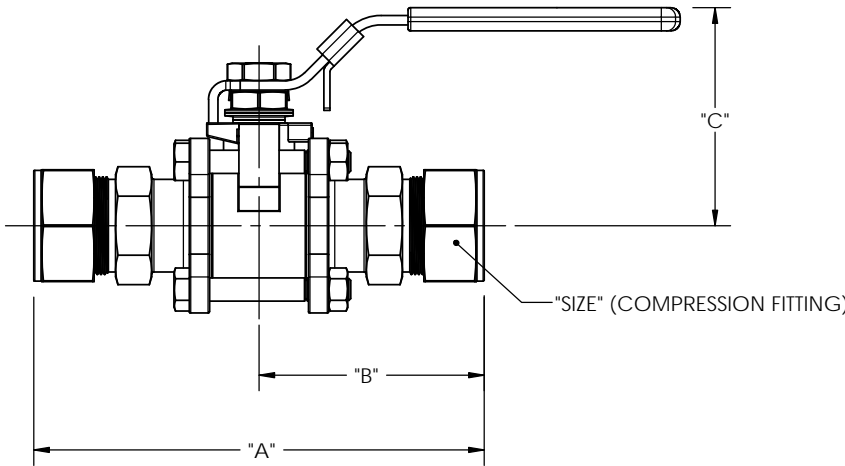
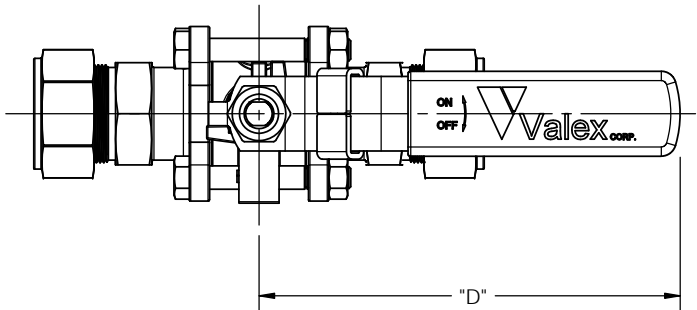
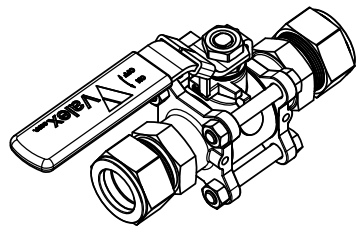


REVISION RECORD			
REV.	DATE	DESCRIPTION	DCN
PRIOR APPROVALS ON FILE			
D	12-16-2004	CHANGES PER DCN 971	971
E	07-10-2009	CHANGES PER DCN 1221	1221
F	07-15-2011	CHANGES PER DCN 1406	1406

DIMENSIONS IN INCHES				
SIZE	"A"	"B"	"C"	"D"
1/4"	3.68	1.84	2.16	4.40
3/8"	3.82	1.91	2.16	4.40
1/2"	4.13	2.06	2.16	4.40
3/4"	4.77	2.39	2.32	5.11
1"	6.04	3.02	2.92	5.65
1-1/2"	8.59	4.30	3.76	7.72
2"	11.08	5.54	4.12	7.72




SHOWN WITH OPTIONAL FACE-SEAL PURGE PORTS
(COMPRESSION PURGE ALSO AVAILABLE)



NO PURGE PORT OPTION SHOWN

1. DIMENSIONS ARE APPROXIMATE AND MAY VARY FROM VALVE TO VALVE. REFERENCE VALEX SPECIFICATION SP-9217 FOR OVERALL LENGTH TOLERANCES.
2. IF PURGE PORT OPTION IS SELECTED (NOT SHOWN), 1/4" PURGE WILL BE USED.
3. DIMENSIONS ARE SUBJECT TO CHANGE AS PRODUCT IMPROVEMENTS MAY ALTER VALVE DESIGN.
4. OVERALL LENGTH DIMENSION IS CALCULATED ASSUMING COMPRESSION NUT IS FINGER TIGHT.

NOTES: UNLESS OTHERWISE SPECIFIED

CAD GENERATED DRAWING. DO NOT MANUALLY UPDATE		 6080 LELAND ST. VENTURA, CA, 93003 (805) 658-0944 www.valex.com	
APPROVALS	DATE	BALL VALVE, STR STRAIGHT, COMPRESSION ENDS	DWG. NO. PDC-STR-CC REV. F
DRAWN C. MAO	06-25-2001		
CHECKED A. MAGANA	08-03-2001	SCALE: 0.6:1	
ENG. R. KOTTLER	08-03-2001	SHEET 1 OF 1	
C.A. R. MULDRONG	08-03-2001	SIZE B	
MFG. T. KELLENBERGER	08-03-2001		