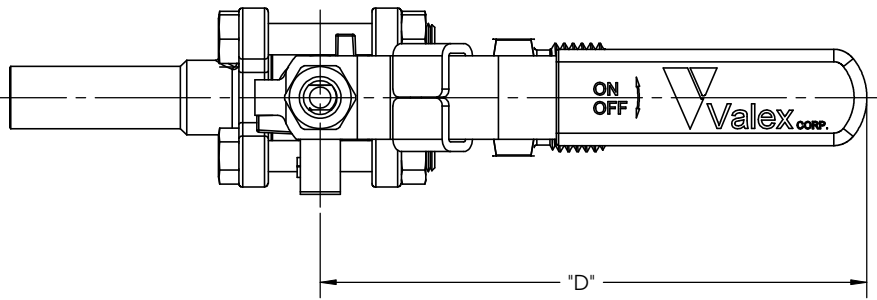
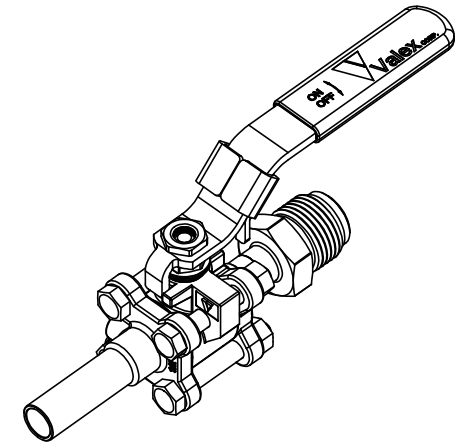
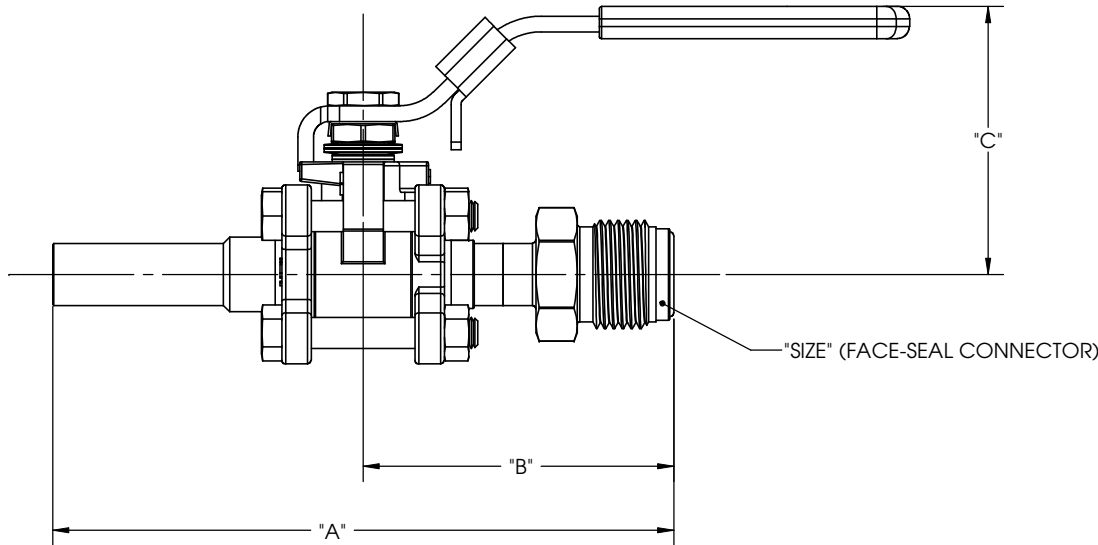


THE INFORMATION CONTAINED IN THIS DRAWING IS THE SOLE PROPERTY OF VALEX CORPORATION. ANY REPRODUCTION IN PART OR WHOLE WITHOUT THE WRITTEN PERMISSION OF VALEX CORPORATION IS PROHIBITED.

REVISION RECORD			
REV.	DATE	DESCRIPTION	DCN
A	10-08-2010	INITIAL RELEASE	N/A




DIMENSIONS IN INCHES				
SIZE	"A"	"B"	"C"	"D"
1/4"	4.63	2.38	2.16	4.40
1/2"	5.00	2.50	2.16	4.40
3/4"	5.63	3.00	2.32	5.11
1"	6.13	3.38	2.92	5.65



1. DIMENSIONS ARE APPROXIMATE AND MAY VARY FROM VALVE TO VALVE. REFERENCE VALEX SPECIFICATION SP-9217 FOR OVERALL LENGTH TOLERANCES.
2. IF PURGE PORT OPTION IS SELECTED (NOT SHOWN), 1/4" PURGE WILL BE USED.
3. DIMENSIONS ARE SUBJECT TO CHANGE AS PRODUCT IMPROVEMENTS MAY ALTER VALVE DESIGN.

NOTES: UNLESS OTHERWISE SPECIFIED

UNLESS OTHERWISE SPECIFIED DIMENSIONS ARE IN INCHES TOLERANCES ARE:		CAD GENERATED DRAWING. DO NOT MANUALLY UPDATE		 6080 LELAND ST. VENTURA, CA, 93003 (805) 658-0944 www.valex.com	
DECIMALS .XX ± .010 .XXX ± .005	ANGLES ± 1°	APPROVALS	DATE	BALL VALVE, STR STRAIGHT, TS-IN, FS-OUT	
BREAK ALL SHARP EDGES: N/A		DRAWN	10-07-2010		
MATERIAL SEE SP-9217		CHECKED	10-07-2010		
DO NOT SCALE DRAWING		ENG.	10-07-2010		
		Q.A.	10-07-2010	SIZE B	DWG. NO. PDC-STR-MF
		MFG.	10-07-2010	SCALE: 1:1	REV. A
				SHEET 1 OF 1	