



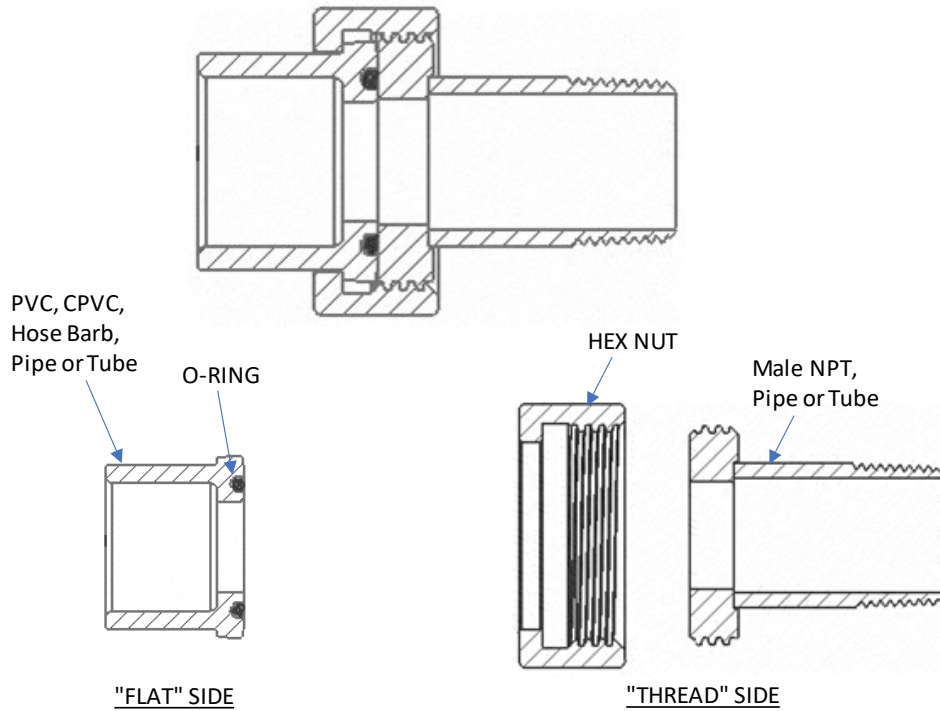
# Process Cooling Water Stick Assemblies

Valex PCW Return & Supply Sticks

PCW STICK PART NUMBER MATRIX *	
<b>W S - 08 M 08 M - 2 D 5 G - B</b>	
<p><b>W = Water Stick</b></p> <hr/> <p><b>Type</b></p> <p><b>S = Supply Stick</b> R = Return Stick C = Component Device</p> <hr/> <p><b>Inlet Size</b></p> <p>04 = 1/4" 06 = 3/8" <b>08 = 1/2"</b> 12 = 3/4" 16 = 1" 24 = 1-1/2" 32 = 2"</p> <hr/> <p><b>Inlet Connection</b></p> <p>C = Compression E = Extended Hose Barb F = Female NPT G = Flange H = Hose Barb <b>M = Male NPT</b> U = Extended Union V ** = Extended Union (Compact) Y = Union Z ** = Union (Compact)</p> <hr/> <p><b>Outlet Size</b></p> <p>04 = 1/4" 06 = 3/8" <b>08 = 1/2"</b> 12 = 3/4" 16 = 1" 24 = 1-1/2" 32 = 2"</p> <hr/> <p><b>Outlet Connection</b></p> <p>C = Compression E = Extended Hose Barb F = Female NPT G = Flange H = Hose Barb <b>M = Male NPT</b> U = Extended Union V ** = Extended Union (Compact) Y = Union Z ** = Union (Compact)</p>	<p><b>Flow Meter Range</b></p> <hr/> <p>A = 1 GPM <b>B = 5 GPM</b> C = 16 GPM D = 28 GPM E = 100 GPM X = Not Required</p> <hr/> <p><b>Options 2 (for Item 2)</b></p> <p>P = Petes Plug® <b>G = Pressure Gauge</b> D = Dual Pressure / Temp Gauge X = Not Required</p> <hr/> <p><b>Item 2</b></p> <p>1 = Ball Valve (Oval Handle) - <i>Supply Stick Only</i> 2 = Ball Valve (Lever) - <i>Supply Stick Only</i> 3 = Flowmeter - <i>Return Stick Only</i> 4 = Globe Valve - <i>Return Stick Only</i> <b>5 = Regulator - Supply Stick Only</b> 6 = Regulator (180°Orientation) - <i>Return Stick Only</i> X = Not Required</p> <hr/> <p><b>Options 1 (for Item 1)</b></p> <p>P = Petes Plug® G = Pressure Gauge <b>D = Dual Pressure / Temp Gauge</b> X = Not Required</p> <hr/> <p><b>Item 1</b></p> <p>1 = Ball Valve (Oval Handle) - <i>Supply Stick Only</i> <b>2 = Ball Valve (Lever) - Supply Stick Only</b> 3 = Flowmeter - <i>Return Stick Only</i> 4 = Globe Valve - <i>Return Stick Only</i> 5 = Regulator - <i>Supply Stick Only</i> 6 = Regulator (180°Orientation) - <i>Supply Stick Only</i> X = Not Required</p>
<p>Notes:</p> <p>* Not all possible part number configurations are available. Please contact Valex for availability.</p> <p>** Used only for 1.5" and 2" union sizes using a stainless steel mating end connection.</p>	

## PCW UNION FITTING PART NUMBER MATRIX \*

	WU - 16	U - P	M
<b>Product Line</b> WU = PCW Unions			<b>"Thread" Side Assembly</b> X = None (No Thread Side, No Hex Nut)** N = Hex Nut Only (No Thread Side) M = Male NPT S = NPS Pipe T = Tube
<b>Union Size</b> 08 = 1/2 12 = 3/4 16 = 1 24 = 1-1/2 32 = 2			<b>"Flat" Side Assembly</b> X = None (No Flat Side) P = PVC C = CPVC H = Hose Barb R = O-ring Only S = NPS Pipe T = Tube
<b>Union Type</b> U = Standard V = Compact **			



\* Not all possible part number configurations are available. No reducing size available.

\*\* Compact type - used only for stainless steel "Flat" side end connection options.

\*\*\* No thread side, no hex nut option - used on PCW sticks which already contain compatible mating ends.