



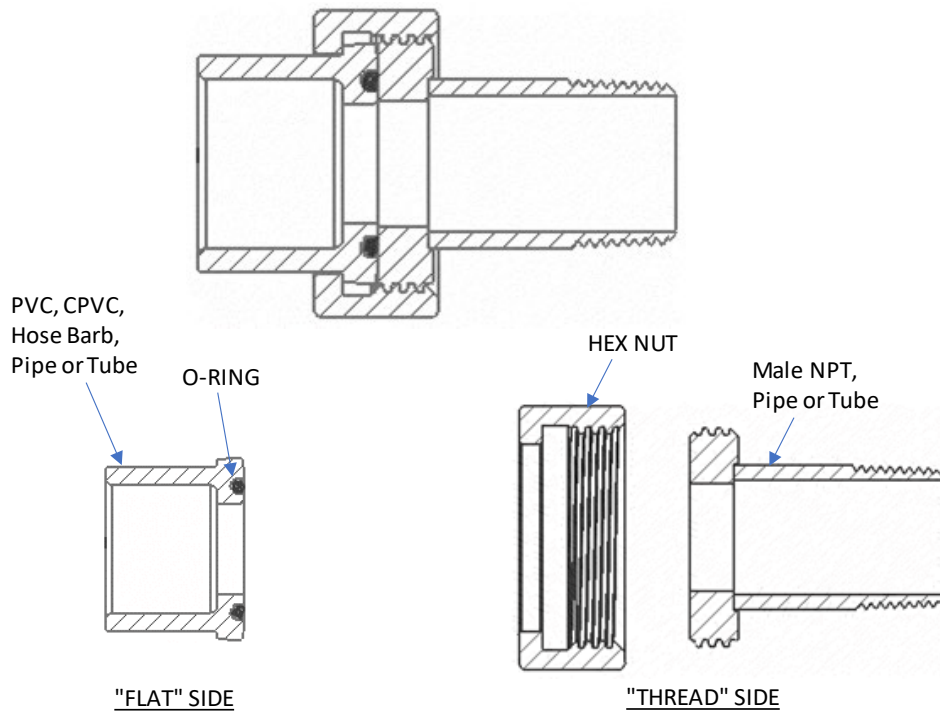
# Process Cooling Water Stick Assemblies

Valex PCW Return & Supply Sticks

PCW STICK PART NUMBER MATRIX *									
W	S	08	M	08	M	-2	D	5	G-B
<p><b>W = Water Stick</b></p> <hr/> <p><b>Type</b></p> <p><b>S = Supply Stick</b>            R = Return Stick            C = Component Device</p> <hr/> <p><b>Inlet Size</b></p> <p>04 = 1/4"            06 = 3/8"  <b>08 = 1/2"</b>            12 = 3/4"            16 = 1"            24 = 1-1/2"            32 = 2"</p> <hr/> <p><b>Inlet Connection</b></p> <p>C = Compression            E = Extended Hose Barb            F = Female NPT            H = Hose Barb  <b>M = Male NPT</b>            U = Extended Union            V ** = Extended Union (Compact)            Y = Union            Z ** = Union (Compact)</p> <hr/> <p><b>Outlet Size</b></p> <p>04 = 1/4"            06 = 3/8"  <b>08 = 1/2"</b>            12 = 3/4"            16 = 1"            24 = 1-1/2"            32 = 2"</p> <hr/> <p><b>Outlet Connection</b></p> <p>C = Compression            E = Extended Hose Barb            F = Female NPT            H = Hose Barb  <b>M = Male NPT</b>            U = Extended Union            V ** = Extended Union (Compact)            Y = Union            Z ** = Union (Compact)</p>									
<p><b>Flow Meter Range</b></p> <hr/> <p>A = 1 GPM  <b>B = 5 GPM</b>            C = 16 GPM            D = 28 GPM            E = 100 GPM            X = Not Required</p> <hr/> <p><b>Options 2 (for Item 2)</b></p> <p>P = Petes Plug®  <b>G = Pressure Gauge</b>            D = Dual Pressure / Temp Gauge            X = Not Required</p> <hr/> <p><b>Item 2</b></p> <p>1 = Ball Valve (Oval Handle) - <i>Supply Stick Only</i>            2 = Ball Valve (Lever) - <i>Supply Stick Only</i>            3 = Flowmeter - <i>Return Stick Only</i>            4 = Globe Valve - <i>Return Stick Only</i>  <b>5 = Regulator - Supply Stick Only</b>            6 = Regulator (180°Orientation) - <i>Return Stick Only</i>            X = Not Required</p> <hr/> <p><b>Options 1 (for Item 1)</b></p> <p>P = Petes Plug®            G = Pressure Gauge  <b>D = Dual Pressure / Temp Gauge</b>            X = Not Required</p> <hr/> <p><b>Item 1</b></p> <p>1 = Ball Valve (Oval Handle) - <i>Supply Stick Only</i>  <b>2 = Ball Valve (Lever) - Supply Stick Only</b>            3 = Flowmeter - <i>Return Stick Only</i>            4 = Globe Valve - <i>Return Stick Only</i>            5 = Regulator - <i>Supply Stick Only</i>            6 = Regulator (180°Orientation) - <i>Supply Stick Only</i>            X = Not Required</p>									
<p>Notes:</p> <p>* Not all possible part number configurations are available. Please contact Valex for availability.</p> <p>** Used only for 1.5" and 2" union sizes using a stainless steel mating end connection.</p>									

## PCW UNION FITTING PART NUMBER MATRIX \*

	WU - 16	U - P	M
<b>Product Line</b> WU = PCW Unions			<b>"Thread" Side Assembly</b> X = None (No Thread Side, No Hex Nut)** N = Hex Nut Only (No Thread Side) M = Male NPT S = NPS Pipe T = Tube
<b>Union Size</b> 08 = 1/2 12 = 3/4 16 = 1 24 = 1-1/2 32 = 2			<b>"Flat" Side Assembly</b> X = None (No Flat Side) P = PVC C = CPVC H = Hose Barb R = O-ring Only S = NPS Pipe T = Tube
<b>Union Type</b> U = Standard V = Compact **			



\* Not all possible part number configurations are available. No reducing size available.

\*\* Compact type - used only for stainless steel "Flat" side end connection options.

\*\*\* No thread side, no hex nut option - used on PCW sticks which already contain compatible mating ends.